

Palermo Seating Collection

COFFEE TABLE



MODEL : 810325120

⚠ WARNING:

Table is not to be used as a seating surface. Improper use of this product or failure to use may result in injury. Do not place hot objects over 80 degrees on surface. Do not use abrasives or sharp tools when cleaning surface.

STOP!

**Missing A Part?
NO Need To Go Back To
The Store!**

The store where you made your purchase
does not stock parts for this item
if you need parts,
whether they are missing or damaged.
Call Toll Free

TEL: 855-259-5091

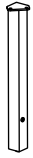


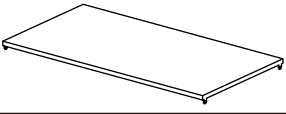
Email: acs@americancustomerservice.com

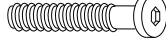


Call us between 8:00-12:00
Eastern Time Monday through Friday



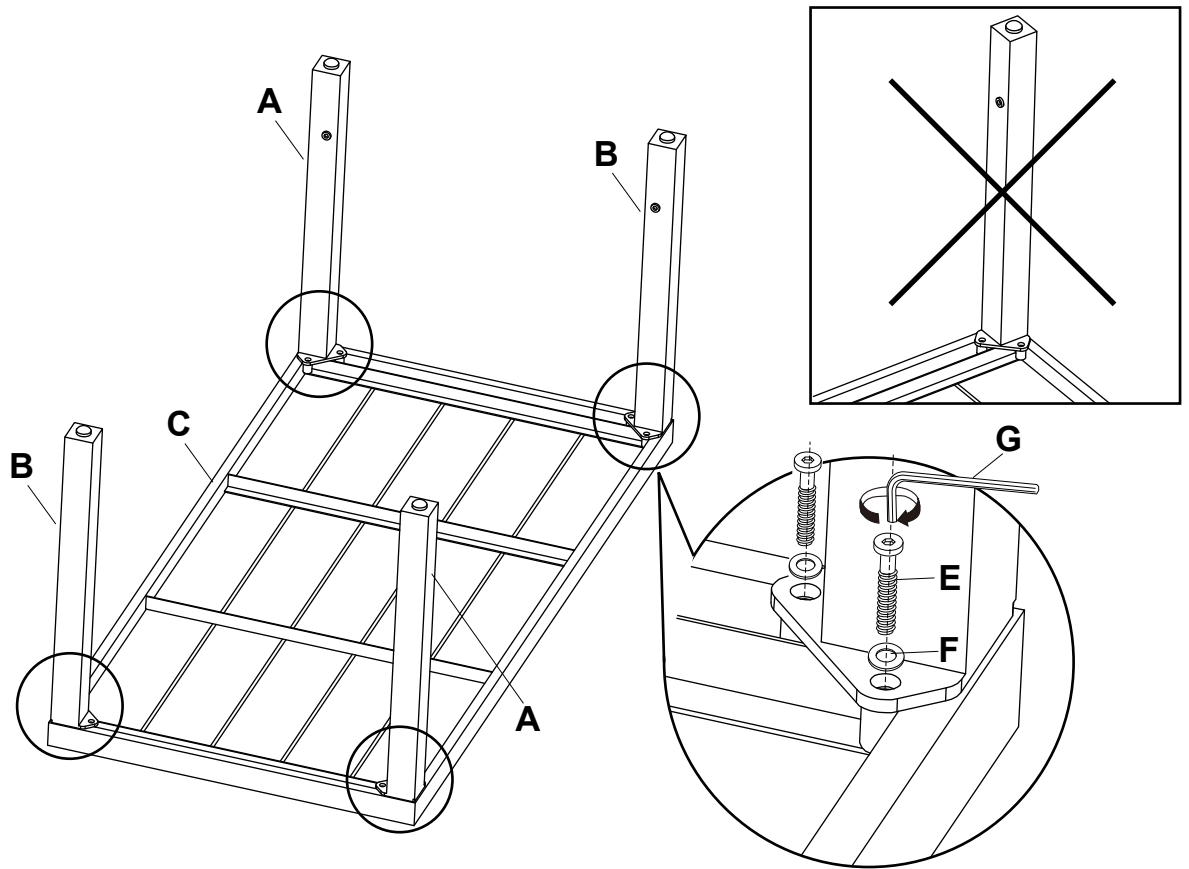
READ & SAVE BELOW INSTRUCTIONS BEFORE ASSEMBLY

- 1.PLEASE SEPARATE AND IDENTIFY ALL PARTS,MAKING SURE THAT YOU HAVE ALL OF THE PARTS LISTED.
- 2.TO AVOID ANY SCRATCH DURING ASSEMBLY, PLEASE ASSEMBLE ON A SOFT MAT OR SIMILAR.
- 3.PLEASE ASSEMBLE STEP BY STEP AND FOLLOW THE INSTRUCTIONS.
- 4.WASHERS MUST BE USED.
- 5.INSTALL ALL BOLTS AND WASHERS FOR EACH PIECE TO FULLY ASSEMBLE THE TABLE. HAND TIGHT ONLY.
- 6.USE ALLEN WRENCH. GO BACK AND TIGHTEN ALL BOLTS.

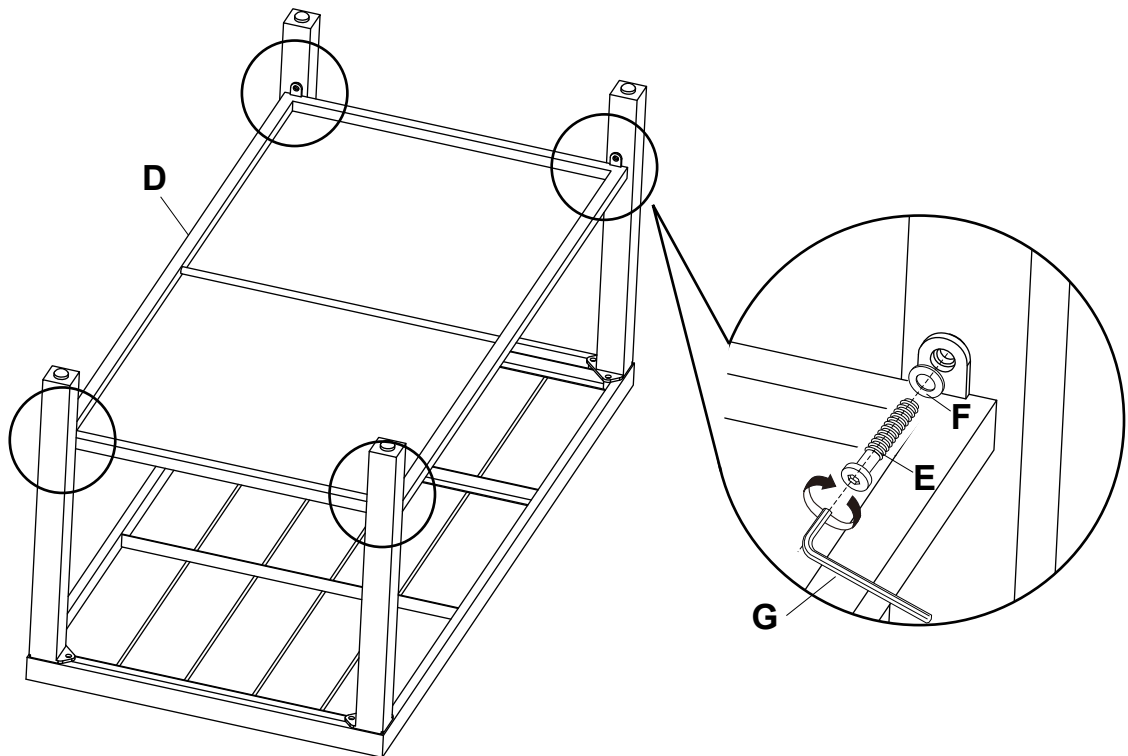
PARTS LIST		
CODE	PARTS	QTY.
A		2PCS
B		2PCS
C		1PC
D		1PC

HARDWARE LIST		
CODE	PARTS	QTY.
E		12PCS
F		12PCS
G		1PC

1



2



CARE AND CLEANING:

1. TO CLEAN, WIPE WITH DAMP CLOTH. DO NOT USE BLEACH, ACID SOLVENTS OR ABRASIVE CLEANERS ON ARTIFICIAL WICKER OR FRAME PARTS. WHEN CLEANING THE OIL STAINS ON THE FAUX WOOD SLATS, USE DAMP CLOTH WITH A MILD SOAP.
2. TABLE IS NOT TO BE USED AS A SEATING SURFACE.
3. DO NOT PLACE HOT OBJECTS OVER 80 DEGREES ON SURFACE. DO NOT ALLOW GLASSES TO STAND ON THE TABLE SURFACE UNDER THE SUN FOR A LONG TIME TO AVOID DAMAGE CAUSED BY HIGH TEMPERATURES. DO NOT USE ABRASIVES OR SHARP TOOLS WHEN CLEANING SURFACE.
4. DURING VARYING WEATHER CONDITIONS AND WINTER PERIOD, WE STRONGLY RECOMMEND THAT THE TABLE BE STORED IN A DRY AREA WITH A SUITABLE COVER. BEFORE STORAGE, PLEASE INSURE THE TABLE IS CLEAN AND DRY.
5. PERIODICALLY CHECK AND ENSURE THAT ALL THE BOLTS ARE COMPLETELY TIGHT.
6. A MATCHING FURNITURE COVER IS STRONGLY RECOMMENDED TO EXTEND THE USE LIFE-SPAN.