




# ASSEMBLY INSTRUCTIONS

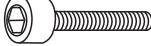











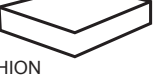
**ATTENTION: THIS PRODUCT IS NOT FOR COMMERCIAL USE INTENDED FOR RESIDENTIAL USE ONLY.**






## SHADOW CREEK ALL-WEATHER WICKER CUSHIONED DEEP SEATING SWIVEL GLIDERS - 2PK

### RVS949W

#### PARTS LIST

PART NO.	MATERIAL CODE	PART	Q'TY
1	RVS949W-CS03-1	 BACK ASSEMBLY	1
2	RVS949W-CS02-1	 SEAT ASSEMBLY	1
3	RVS949W-CS01-2	 LEFT ARM	1
4	RVS949W-CS01-3	 RIGHT ARM	1
5	RVS949W-CS14-1	 SUPPORT FRAME	1
6	RFS8821-CS04	 SEAT POST	1
7	18000744004	 DECORATIVE PLASTIC COVER	1
8	RVS949W-CS12-2	 BASE ASSEMBLY	1
9	17C40A0714001YX	 BOLT M6*40	8
10	17C40A0722001YX	 BOLT M6*65	2
11	17C40A0712001YX	 BOLT M6*35	1
12	17C01A0810001YX	 BOLT M8*30	4

13	17C03A0814041YX	 BOLT M8*40	4
14	17FA05040301-YX	 WASHER d6.5*D13*1.0	2
15	17FA05100701-YX	 WASHER d6.5*D30*2.0	1
16	17FA08060601-YX	 WASHER d8.5*D17*1.6	4
17	17FD08300501-YX	 WASHER d8.5*D12.5*1.5	12
18	17FC08030801-YX	 WASHER d8.5*D12*2.1	4
19	18000C23001	 PLASTIC NUT M6*P1.0	2
20	17D03A040401-YX	 JAM NUT M8*1.25	4
21	17KAA0101----Y4	 HEX. KEY WRENCH 4MM	1
22	17KAA0201----Y4	 HEX. KEY WRENCH 6MM	1
23	17KAB1101----Y4	 NUT WRENCH 10&13MM	1
24	61R949WX00001BA	 BACK CUSHION	1
25	61R949WY00001BA	 SEAT CUSHION	1

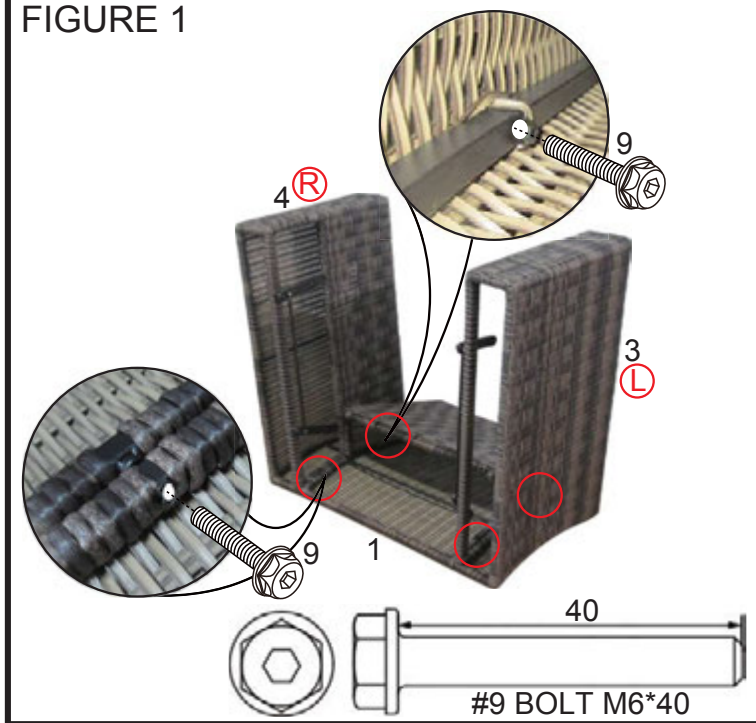
-  Use the correct bolts as indicated. Do not tighten any of the bolts until the swivel glider is completely assembled.
-  Do not discard any of the packaging until you have checked that you have all of the parts and fittings required.
-  Keep children away during assembly. This item contains small parts that can be swallowed by children. Children should always be under direct adult supervision while using this product.
-  Retain these assembly instructions for future reference.
-  Quote the following FQC NO. when contacting the service center.

SERVICE CENTER TOLL FREE NO.

TEL: 1-877-539-7436

FAX: 1-877-539-7439

FIGURE 1

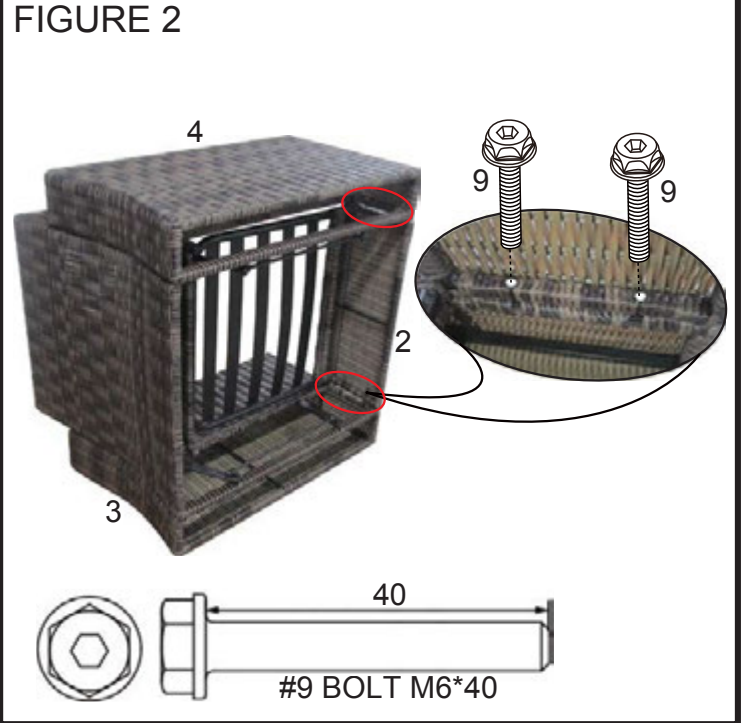


**Attention:**  
 Make sure that each bolt needed for all steps matches the corresponding figure to ensure proper assembly.

**Step 1:**  
 Place the back assembly (#1) onto a non-abrasive surface, such as a carpet. Fasten the arms (#3 and #4) to the back assembly (#1) by using bolts (#9). Keep the bolts loose. See Figure 1.

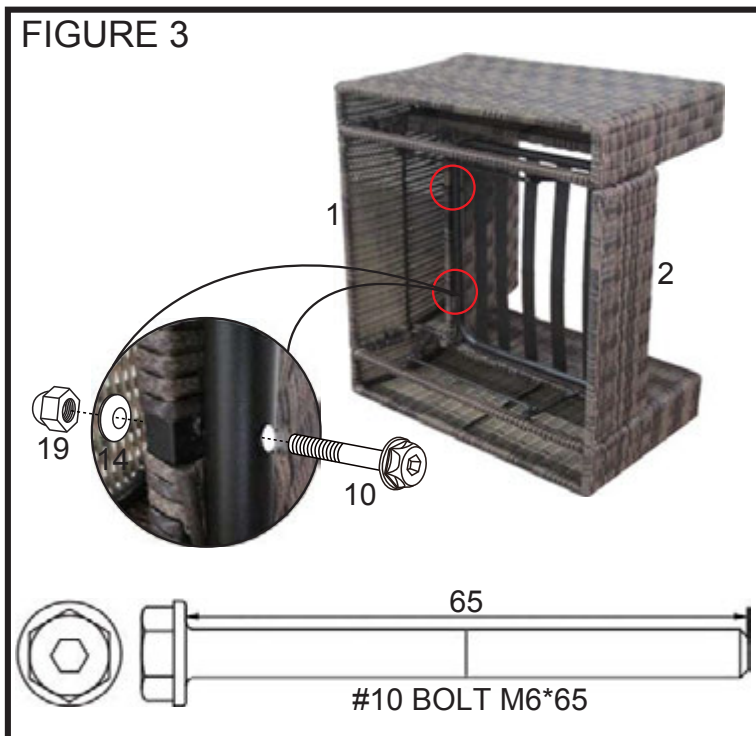
**Note:**  
 The labels marked "L" and "R" on the arms (#3 and #4) should coincide with Figure 1 to ensure proper assembly.

FIGURE 2



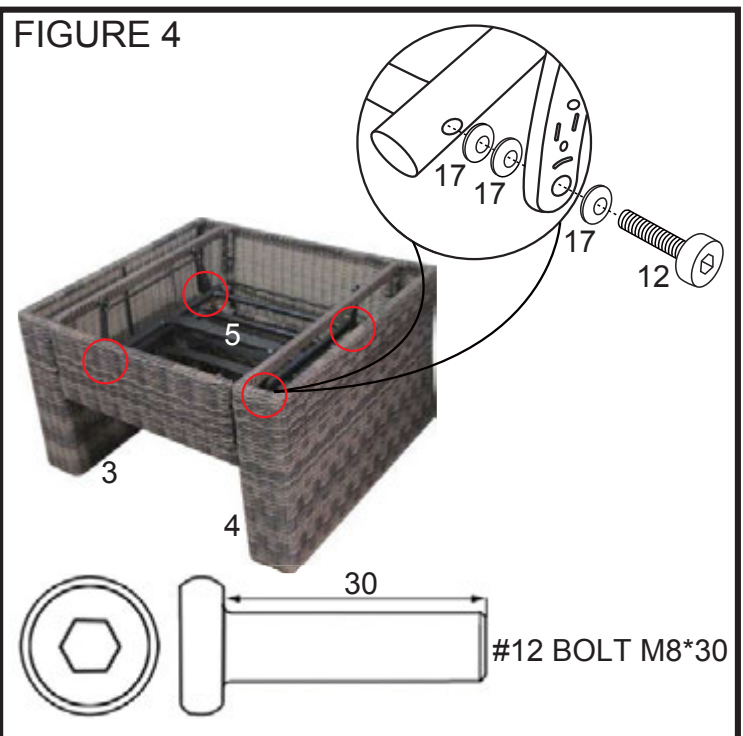
**Step 2:**  
 Fasten the seat assembly (#2) to the arms (#3 and #4) by using bolts (#9). Keep the bolts loose. See Figure 2.

FIGURE 3



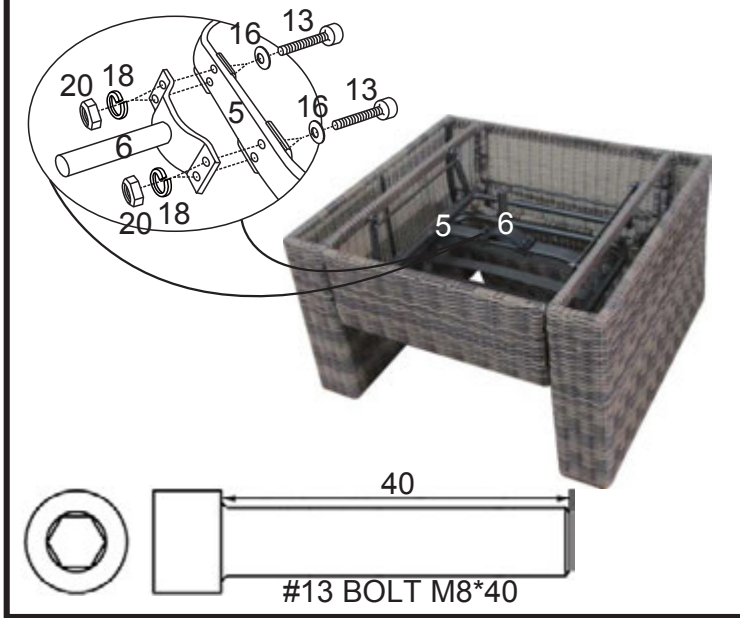
**Step 3:**  
 Fasten the seat assembly (#2) to the back assembly (#1) by using bolts (#10), washers (#14) and plastic nuts (#19). See Figure 3.

FIGURE 4



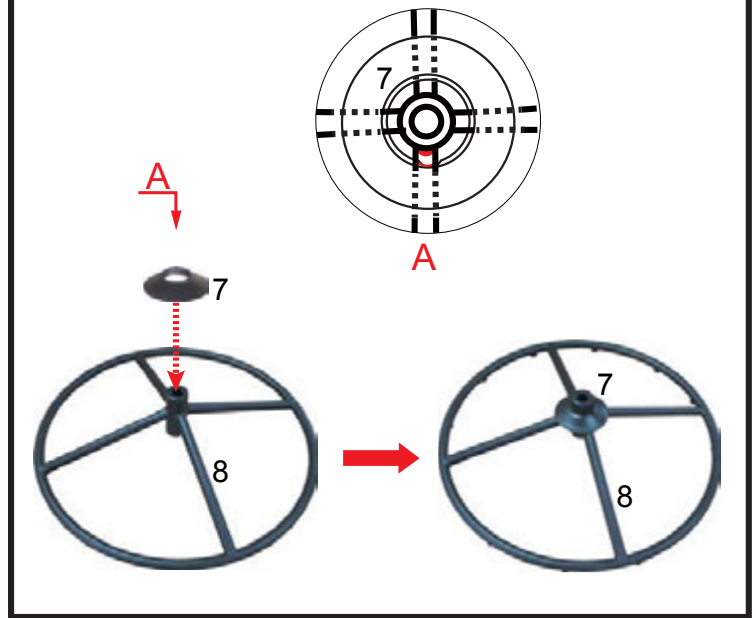
**Step 4:**  
 Turn the seat assembly to its upright position. Fasten the support frame (#5) to the arms (#3 and #4) by using bolts (#12) and washers (#17). See Figure 4.

FIGURE 5



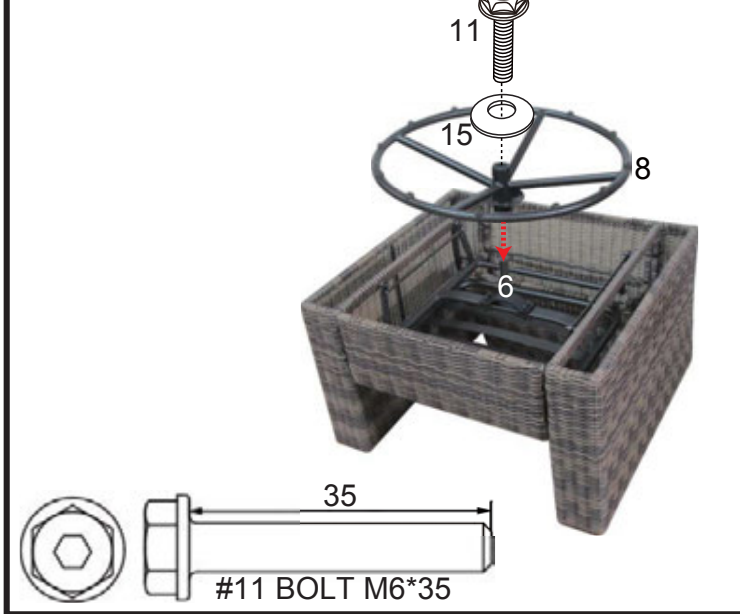
Step 5:  
Fasten the seat post (#6) to the support frame (#5) by using bolts (#13), washers (#16 and #18) and jam nuts (#20). See Figure 5.

FIGURE 6



Step 6:  
Place the decorative plastic cover (#7) on the chair's base assembly (#8) as above picture A shows. See Figure 6.

FIGURE 7



Step 7:  
Insert the seat post (#6) into the hole in the center of the base assembly (#8). Fasten them together by using bolt (#11) and washer (#15). Make sure that all of the bolts have been tightened completely. See Figure 7.

**Note:**  
For ease with installation, we recommend that the seat post (#6) be slightly oiled or waxed before fastening it to the base assembly (#8).

**Cleaning and Maintenance**

- Wash frame and fabric parts with mild soap and water, rinse thoroughly, and dry completely. Do not use bleach, acid, or other solvents on the frame or fabric parts.
- The cushions may be washed on the surface only by using mild soap and water or a commercial foaming upholstery cleaner if necessary. If washed, rinse well and hang to dry. Do not machine wash or dry.
- We recommend the use of furniture covers when not in use.
- Inspect and tighten all of the bolts and fasteners on a regular basis to ensure the proper performance and safety of your swivel glider.
- In order to prolong the life and beauty of your swivel glider, we recommend that it be stored in a dry and protected area during off season periods.

FIGURE 8



Step 8:  
Turn the swivel glider to its upright position. Place the cushions (#24 and #25) onto the swivel glider. See Figure 8.

**Caution:**  
To ensure one's safety during use of this swivel glider, make sure that all of the bolts are completely tightened. This chair has the ability to swivel; therefore use by young children should be adult supervised.

### Warranty

- This product is covered by Courtyard Creations Inc.'s one-year limited warranty.
- Proof of purchase (dated register receipt) is required for warranty claims.
- It remains the customer's responsibility for freight and packing charges to and from the service center.



### READ THESE INSTRUCTIONS COMPLETELY BEFORE STARTING ASSEMBLY

- ★ SEPARATE AND IDENTIFY ALL OF THE PARTS, MAKING SURE THAT YOU HAVE ALL OF THE PARTS LISTED.
- ★ IF YOU DO NOT LOCATE ALL OF THE PARTS LISTED, INSPECT THE PACKING MATERIAL FOR SMALL PARTS THAT MAY HAVE BECOME SEPARATED DURING SHIPMENT.
- ★ IF YOU EXPERIENCE ANY DIFFICULTY DURING ASSEMBLY OR IF ANY PARTS ARE MISSING OR DAMAGED, CALL THE HELP LINE AT 1-877-539-7436 BEFORE RETURNING THIS ITEM TO THE STORE.
- ★ PROVIDE THE FOLLOWING INFORMATION WHEN CALLING:  
1-MODEL NUMBER OF THE PRODUCT.  
2-PART NUMBER AND MATERIAL CODE OF THE PART FROM THE PARTS LIST.
- ★ MOST PROBLEMS CAN BE RESOLVED WITHOUT RETURNING THIS PRODUCT TO THE RETAILER.

### **⚠ WARNING:**

Swivel glider is for sitting purposes only. Standing on or misuse of swivel glider may result in damage or injury. Weight limit 250 lbs (113.5kg). Not intended for commercial use.