








ASSEMBLY INSTRUCTIONS

**ATTENTION: THIS PRODUCT IS NOT FOR COMMERCIAL USE
INTENDED FOR RESIDENTIAL USE ONLY.**

AUGUSTA ALL-WEATHER WICKER 3 PERSON LEFT ARM CUSHION SOFA AND RIGHT ARM LOVESEAT SVS20P8 KVS941Z

PARTS LIST

PART NO.	MATERIAL CODE	PART	Q'TY
1	KVS941A-CS03-1	 BACK ASSEMBLY	1
2	KVS941A-CS02-1	 SEAT ASSEMBLY	1
3	KVS941Z-CS01-1	 ARM ASSEMBLY	1
4	17C40A0710001YX	 BOLT M6*30	3
5	17C40A0712001YX	 BOLT M6*35	5
6	28000221046	 PLASTIC LEG CAP	4

7	17LA07121----YX	 NUT M8	4
8	17FC08030801-YX	 WASHER d8.5*D12*2.1	4
9	17KAA0101----Y4	 HEX. KEY WRENCH 4MM	1
10	17KAA0201----Y4	 HEX. KEY WRENCH 6MM	1
11	17KAC3101----Y3	 HEX. KEY WRENCH 10MM	1
12	61K941ZX00001BA	 BACK CUSHION	3
13	61K941ZY00001BA	 SEAT CUSHION	3

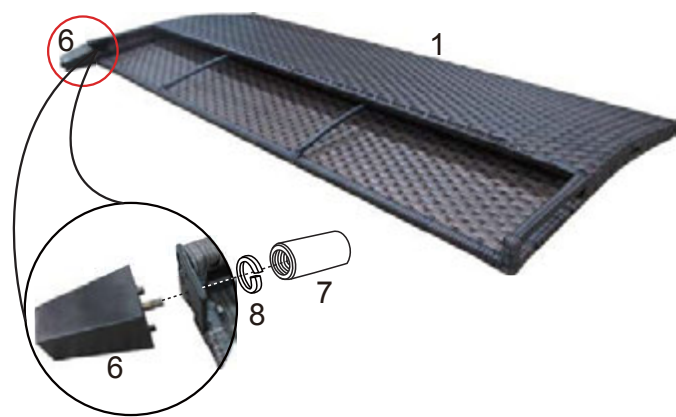
Attention:






Make sure that each bolt needed for all steps matches the corresponding figure to ensure proper assembly.

Step 1:

Fasten the plastic leg cap (#6) to the back assembly (#1) by using washer (#8) and nut (#7). See Figure 1.

FIGURE 1



-  Use the correct bolts as indicated. Do not tighten any of the bolts until the chair is completely assembled.
-  Do not discard any of the packaging until you have checked that you have all of the parts and fittings required.
-  Keep children away during assembly. This item contains small parts that can be swallowed by children. Children should always be under direct adult supervision while using this product.
-  Retain these assembly instructions for future reference.
-  Quote the following FQC NO. when contacting the service center.

SERVICE CENTER TOLL FREE NO

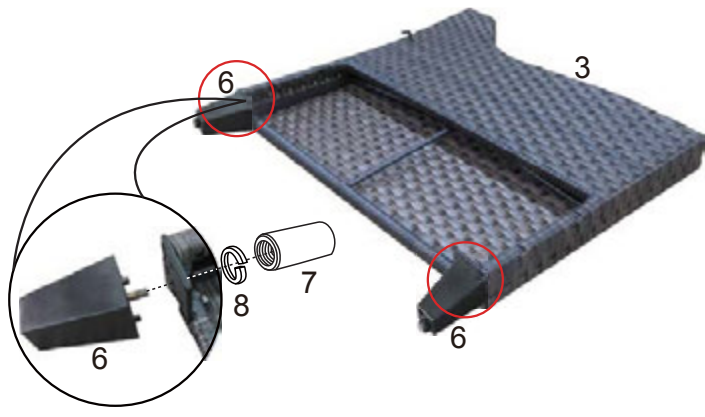
TEL: 1-877-539-7436

FAX: 1-877-539-7439

PAGE 1 OF 6

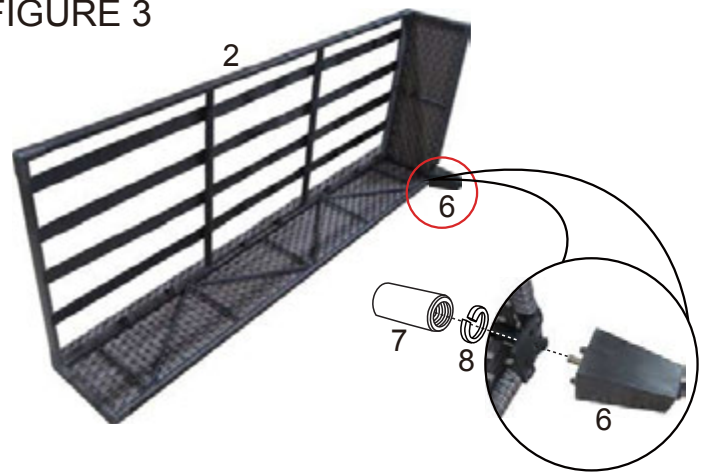
COURTYARD CREATIONS INC.

FIGURE 2



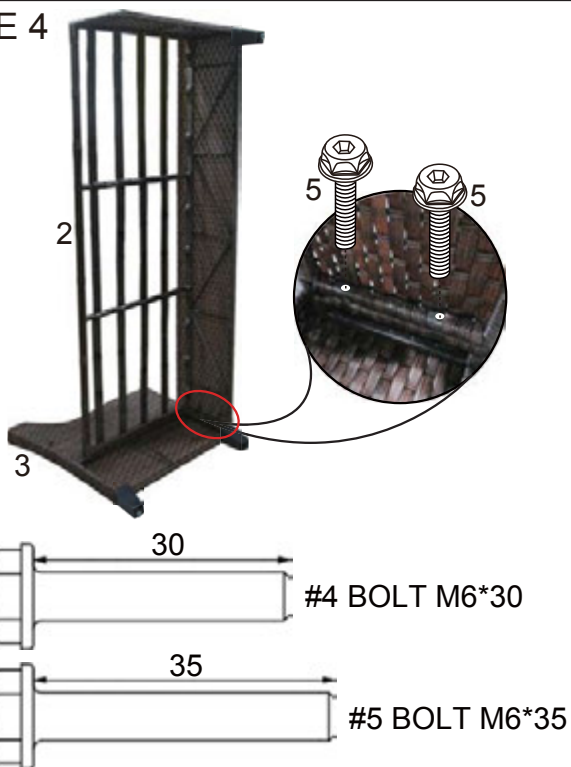
Step 2:
Fasten the plastic leg caps (#6) to the arm assembly (#3) by using washers (#8) and nuts (#7). See Figure 2.

FIGURE 3



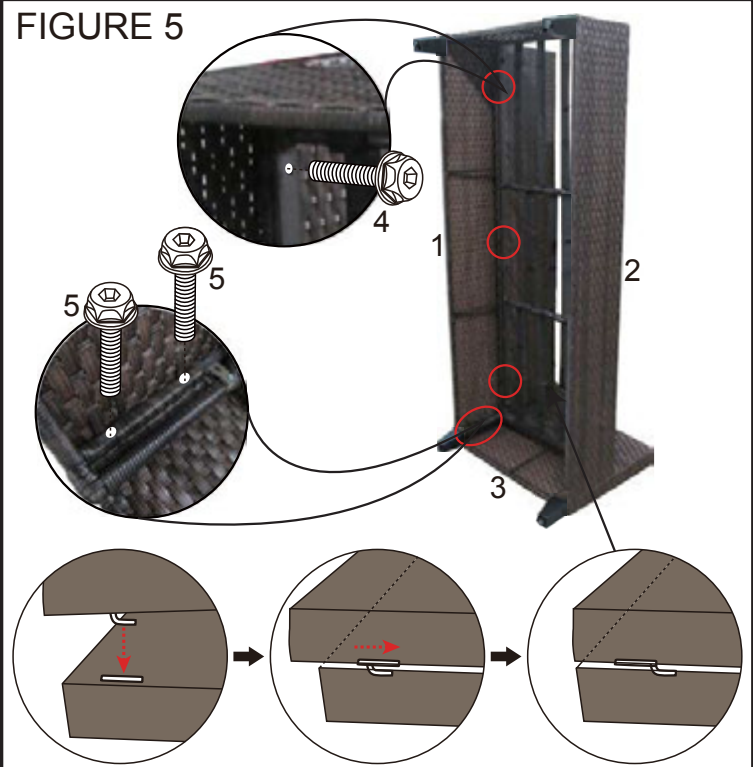
Step 3:
Fasten the plastic leg cap (#6) to the seat assembly (#2) by using washer (#8) and nut (#7). See Figure 3.

FIGURE 4



Step 4:
Place the arm assembly (#3) onto a non-abrasive surface, such as a carpet. Fasten the seat assembly (#2) to the arm assembly (#3) by using bolts (#5). Keep the bolts loose. See Figure 4.

FIGURE 5



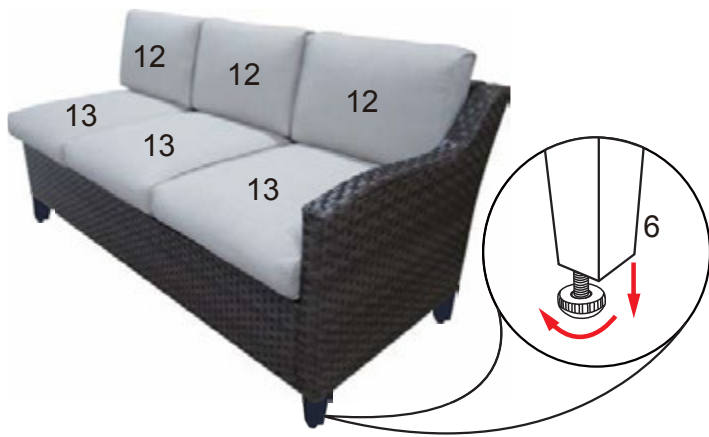
Step 5:
Fasten the back assembly (#1) to the seat assembly (#2) and arm assembly (#3) by using bolts (#4 and #5). Keep the bolts loose. See Figure 5.

FIGURE 6



Step 6:
Fasten the back assembly (#1) to the seat assembly (#2) by using bolt (#5). Make sure that all of the bolts have been tightened completely. See Figure 6.

FIGURE 7



Step 7:

Turn the chair to its upright position. Place the cushions (#12 and #13) onto the chair. You can adjust the leveler on the plastic leg caps (#6) to keep the chair even when it is not stable. See Figure 7.

Cleaning and Maintenance

- Wash frame and fabric parts with mild soap and water, rinse thoroughly, and dry completely. Do not use bleach, acid, or other solvents on the frame or fabric parts.
- The cushions may be washed on the surface only by using mild soap and water or a commercial foaming upholstery cleaner if necessary. If washed, rinse well and hang to dry. Do not machine wash or dry.
- We recommend the use of furniture covers when not in use.
- Inspect and tighten all bolts and fasteners on a regular basis to ensure the proper performance and safety of your chair.
- In order to prolong the life and beauty of your chair, we recommend that it be stored in a dry and protected area during off season periods.

Warranty

- This product is covered by Courtyard Creations Inc.'s one-year limited warranty.
- Proof of purchase (dated register receipt) is required for warranty claims.
- It remains the customer's responsibility for freight and packing charges to and from the service center.

STOP!
Missing A Part?
**No Need To Go Back To
The Store**

The store where you made your purchase does not stock parts for this item.
If you need parts,
whether they are missing or damaged,
Call Toll Free:
TEL: 1-877-539-7436
FAX: 1-877-539-7439
Call us between 9:00 AM and 4:30 PM
Eastern Time Monday through Friday
For further assistance,
please visit us at
service.cci@polywares.com

READ THESE INSTRUCTIONS COMPLETELY BEFORE STARTING ASSEMBLY

- ★ SEPARATE AND IDENTIFY ALL OF THE PARTS, MAKING SURE THAT YOU HAVE ALL OF THE PARTS LISTED.
- ★ IF YOU DO NOT LOCATE ALL OF THE PARTS LISTED, INSPECT THE PACKING MATERIAL FOR SMALL PARTS THAT MAY HAVE BECOME SEPARATED DURING SHIPMENT.
- ★ IF YOU EXPERIENCE ANY DIFFICULTY DURING ASSEMBLY OR IF ANY PARTS ARE MISSING OR DAMAGED, CALL THE HELP LINE AT 1-877-539-7436 BEFORE RETURNING THIS ITEM TO THE STORE.
- ★ PROVIDE THE FOLLOWING INFORMATION WHEN CALLING:
1-MODEL NUMBER OF THE PRODUCT.
2-PART NUMBER AND MATERIAL CODE OF THE PART FROM THE PARTS LIST.
- ★ MOST PROBLEMS CAN BE RESOLVED WITHOUT RETURNING THIS PRODUCT TO THE RETAILER.

⚠ WARNING:

Sofa is for sitting purposes only. Standing on or misuse of sofa may result in damage or injury. Weight limit 750 lbs (340.5kg). Not intended for commercial use.

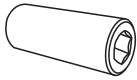


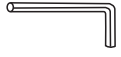


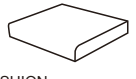
ASSEMBLY INSTRUCTIONS

**ATTENTION: THIS PRODUCT IS NOT FOR COMMERCIAL USE
INTENDED FOR RESIDENTIAL USE ONLY.**

KVS941F

PARTS LIST

PART NO.	MATERIAL CODE	PART	Q'TY
1	KVS941D-CS03-1	 BACK ASSEMBLY	1
2	KVS941D-CS02-1	 SEAT ASSEMBLY	1
3	KVS941F-CS01-1	 ARM ASSEMBLY	1
4	17C40A0710001YX	 BOLT M6*30	3
5	17C40A0712001YX	 BOLT M6*35	5
6	28000221046	 PLASTIC LEG CAP	4

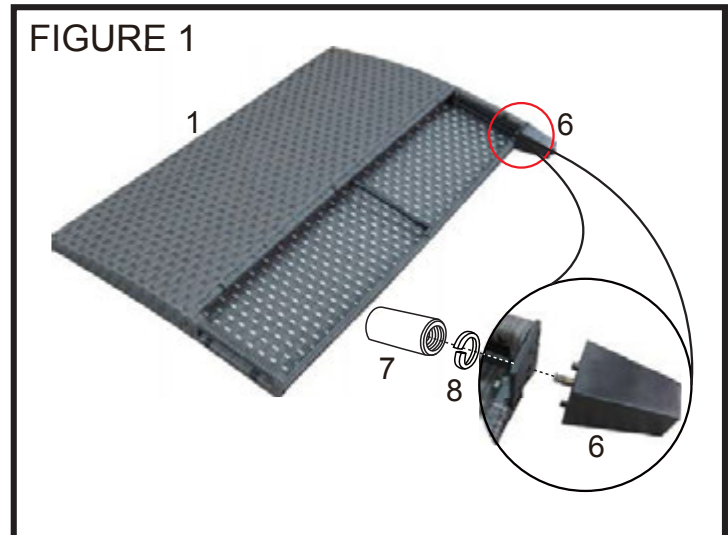
7	17LA07121----YX	 NUT M8	4
8	17FC08030801-YX	 WASHER d8.5*D12*2.1	4
9	17KAA0101----Y4	 HEX. KEY WRENCH 4MM	1
10	17KAA0201----Y4	 HEX. KEY WRENCH 6MM	1
11	17KAC3101----Y3	 HEX. KEY WRENCH 10MM	1
12	61K941FX00001BA	 BACK CUSHION	2
13	61K941FY00001BA	 SEAT CUSHION	2






Attention:

Make sure that each bolt needed for all steps matches the corresponding figure to ensure proper assembly.

Step 1:

Fasten the plastic leg cap (#6) to the back assembly (#1) by using washer (#8) and nut (#7). See Figure 1.

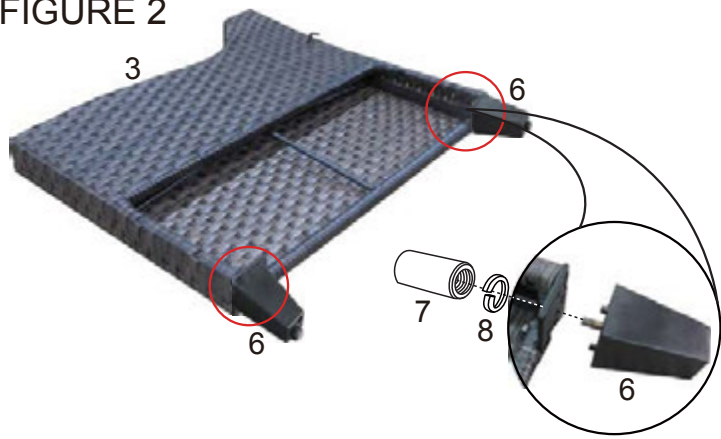


-  Use the correct bolts as indicated. Do not tighten any of the bolts until the chair is completely assembled.
-  Do not discard any of the packaging until you have checked that you have all of the parts and fittings required.
-  Keep children away during assembly. This item contains small parts that can be swallowed by children. Children should always be under direct adult supervision while using this product.
-  Retain these assembly instructions for future reference.
-  Quote the following FQC NO. when contacting the service center.

SERVICE CENTER TOLL FREE NO
TEL: 1-877-539-7436
FAX: 1-877-539-7439

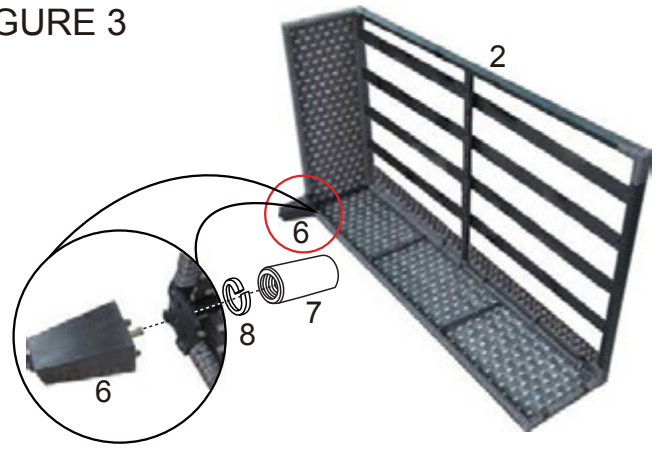


FIGURE 2



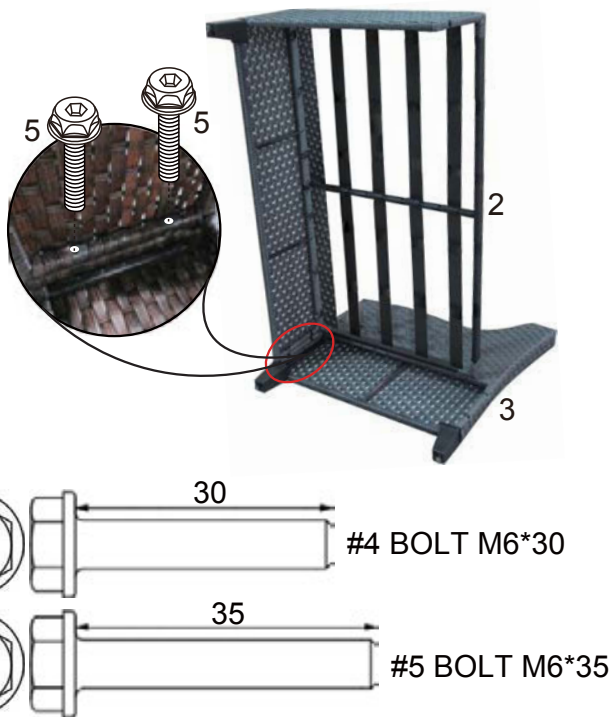
Step 2:
Fasten the plastic leg caps (#6) to the arm assembly (#3) by using washers (#8) and nuts (#7). See Figure 2.

FIGURE 3



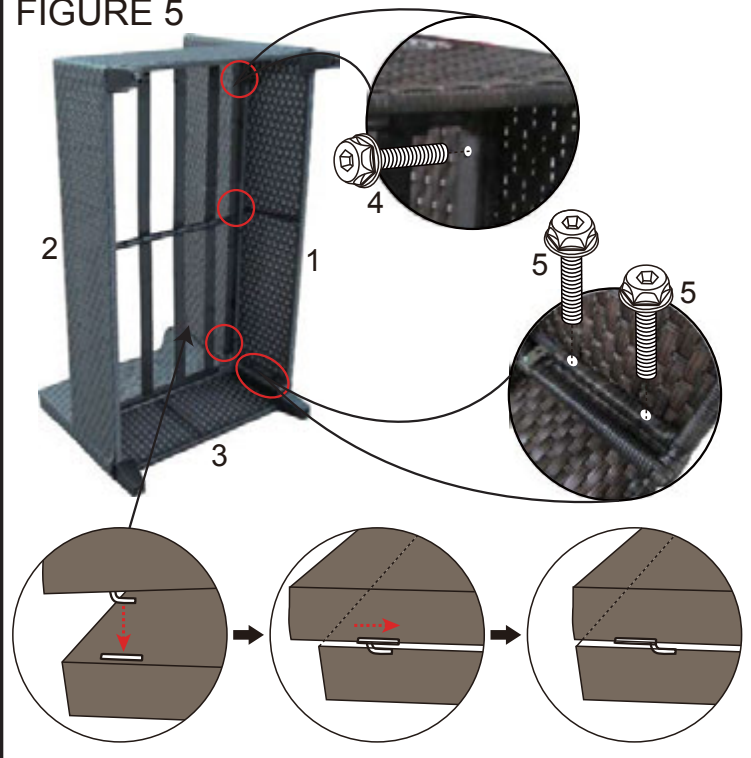
Step 3:
Fasten the plastic leg cap (#6) to the seat assembly (#2) by using washer (#8) and nut (#7). See Figure 3.

FIGURE 4



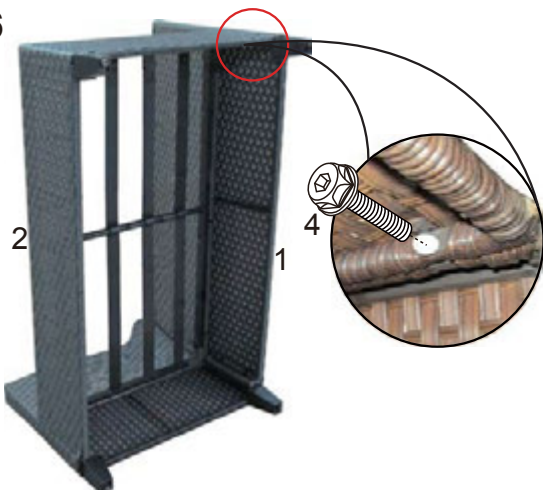
Step 4:
Place the arm assembly (#3) onto a non-abrasive surface, such as a carpet. Fasten the seat assembly (#2) to the arm assembly (#3) by using bolts (#5). Keep the bolts loose. See Figure 4.

FIGURE 5



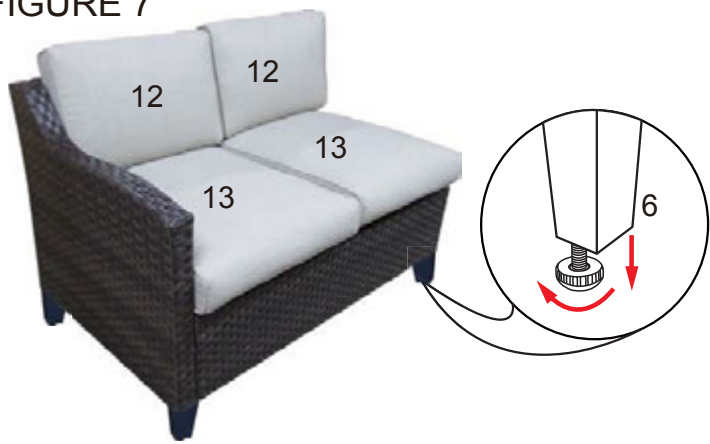
Step 5:
Fasten the back assembly (#1) to the seat assembly (#2) and arm assembly (#3) by using bolts (#4 and #5). Keep the bolts loose. See Figure 5.

FIGURE 6



Step 6:
Fasten the back assembly (#1) to the seat assembly (#2) by using bolt (#4). Make sure that all of the bolts have been tightened completely. See Figure 6.

FIGURE 7



Step 7:

Turn the chair to its upright position. Place the cushions (#12 and #13) onto the chair. You can adjust the leveler on the plastic leg caps (#6) to keep the chair even when it is not stable. See Figure 7.

Cleaning and Maintenance

- Wash frame and fabric parts with mild soap and water, rinse thoroughly, and dry completely. Do not use bleach, acid, or other solvents on the frame or fabric parts.
- The cushions may be washed on the surface only by using mild soap and water or a commercial foaming upholstery cleaner if necessary. If washed, rinse well and hang to dry. Do not machine wash or dry.
- We recommend the use of furniture covers when not in use.
- Inspect and tighten all bolts and fasteners on a regular basis to ensure the proper performance and safety of your chair.
- In order to prolong the life and beauty of your chair, we recommend that it be stored in a dry and protected area during off season periods.

Warranty

- This product is covered by Courtyard Creations Inc.'s one-year limited warranty.
- Proof of purchase (dated register receipt) is required for warranty claims.
- It remains the customer's responsibility for freight and packing charges to and from the service center.

STOP!
Missing A Part?
**No Need To Go Back To
The Store**

The store where you made your purchase does not stock parts for this item.
If you need parts,
whether they are missing or damaged,
Call Toll Free:
TEL: 1-877-539-7436
FAX: 1-877-539-7439
Call us between 9:00 AM and 4:30 PM
Eastern Time Monday through Friday
For further assistance,
please visit us at
service.cci@polywares.com

READ THESE INSTRUCTIONS COMPLETELY BEFORE STARTING ASSEMBLY

- ★ SEPARATE AND IDENTIFY ALL OF THE PARTS, MAKING SURE THAT YOU HAVE ALL OF THE PARTS LISTED.
- ★ IF YOU DO NOT LOCATE ALL OF THE PARTS LISTED, INSPECT THE PACKING MATERIAL FOR SMALL PARTS THAT MAY HAVE BECOME SEPARATED DURING SHIPMENT.
- ★ IF YOU EXPERIENCE ANY DIFFICULTY DURING ASSEMBLY OR IF ANY PARTS ARE MISSING OR DAMAGED, CALL THE HELP LINE AT 1-877-539-7436 BEFORE RETURNING THIS ITEM TO THE STORE.
- ★ PROVIDE THE FOLLOWING INFORMATION WHEN CALLING:
1-MODEL NUMBER OF THE PRODUCT.
2-PART NUMBER AND MATERIAL CODE OF THE PART FROM THE PARTS LIST.
- ★ MOST PROBLEMS CAN BE RESOLVED WITHOUT RETURNING THIS PRODUCT TO THE RETAILER.

⚠ WARNING:

Sofa is for sitting purposes only. Standing on or misuse of sofa may result in damage or injury. Weight limit 500 lbs (227kg). Not intended for commercial use.