







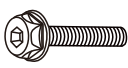


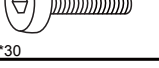











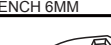


ASSEMBLY INSTRUCTIONS






**ATTENTION: THIS PRODUCT IS NOT FOR COMMERCIAL USE
INTENDED FOR RESIDENTIAL USE ONLY.**

AUGUSTA ALL-WEATHER WICKER CUSHION SWIVEL GLIDERS - 2PK RVS941G

PARTS LIST

PART NO.	MATERIAL CODE	PART	Q'TY
1	RVS941G-CS03-1	 BACK ASSEMBLY	1
2	RVS941G-CS02-1	 SEAT ASSEMBLY	1
3	RVS941G-CS01-2	 LEFT ARM	1
4	RVS941G-CS01-3	 RIGHT ARM	1
5	RVS941G-CS14-1	 SUPPORT FRAME	1
6	RFS8821-CS04	 SEAT POST	1
7	18000744004	 DECORATIVE PLASTIC COVER	1
8	RVS941G-CS12-1	 BASE ASSEMBLY	1
9	17C40A0712001YX	 BOLT M6*35	9
10	17C40A0719001YX	 BOLT M6*55	2
11	17C01A0810001YX	 BOLT M8*30	4
12	17C03A0814041YX	 BOLT M8*40	4

PART NO.	MATERIAL CODE	PART	Q'TY
13	17FA05040301-YX	 WASHER d6.5*D13*1.0	2
14	17FD08300501-YX	 WASHER d8.5*D12.5*1.5	12
15	17FC08030801-YX	 WASHER d8.5*D12*2.1	4
16	17FA08060601-YX	 WASHER d8.5*D17*1.6	4
17	17D03A040401-YX	 JAM NUT M8*1.25	4
18	17FA05100701-YX	 WASHER d6.5*D30*2.0	1
19	18000C23001	 PLASTIC NUT M6*P1.0	2
20	17KAA0101----Y4	 HEX KEY WRENCH 4MM	1
21	17KAA0201----Y4	 HEX KEY WRENCH 6MM	1
22	17KAB1101----Y4	 NUT WRENCH 10&13MM	1
23	61R941GX00001BA	 BACK CUSHION	1
24	61R941GY00001BA	 SEAT CUSHION	1

-  Use the correct bolts as indicated. Do not tighten any of the bolts until the swivel rocker chair is completely assembled.
-  Do not discard any of the packaging until you have checked that you have all of the parts and fittings required.
-  Keep children away during assembly. This item contains small parts that can be swallowed by children. Children should always be under direct adult supervision while using this product.
-  Retain these assembly instructions for future reference.
-  Quote the following FQC NO. when contacting the service center.

SERVICE CENTER TOLL FREE NO

TEL: 1-877-539-7436

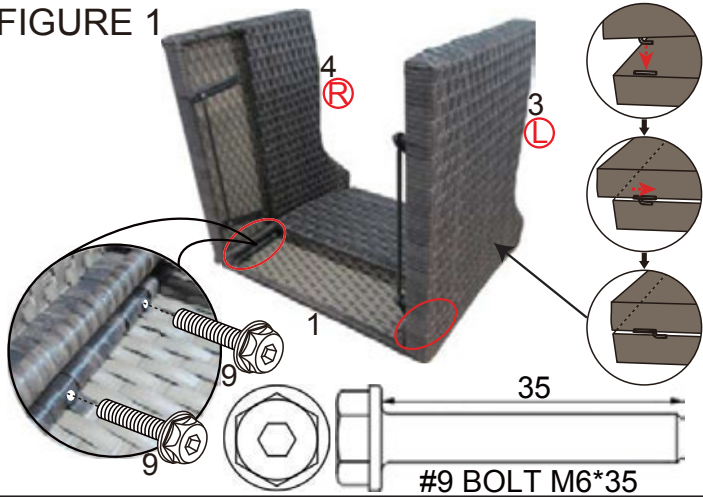
FAX: 1-877-539-7439

PAGE 1 OF 3

COURTYARD CREATIONS INC.



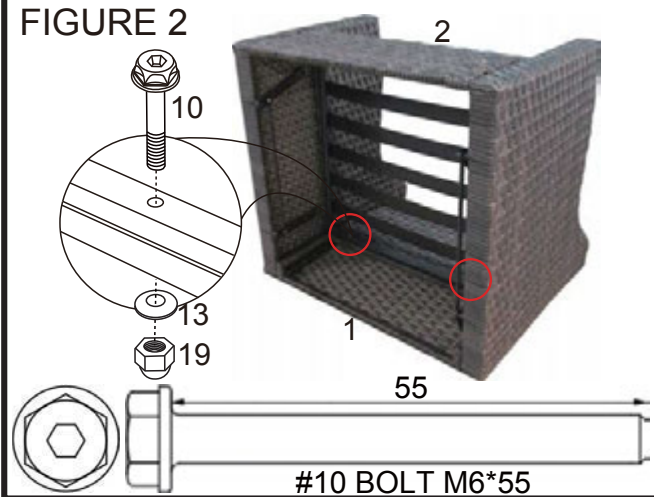
FIGURE 1



Step 1:
Place the back assembly (#1) onto a non-abrasive surface, such as a carpet. Fasten the arms (#3 and #4) to the back assembly (#1) by using bolts (#9). Keep the bolts loose. See Figure 1.

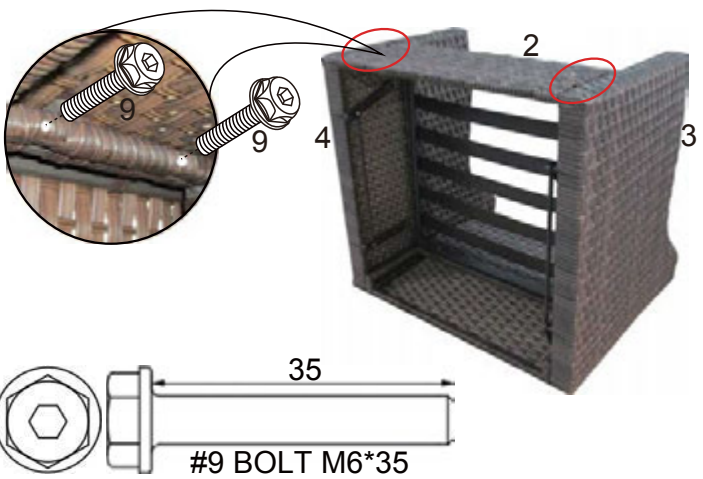
Note:
The labels marked "L" and "R" on the arms (#3 and #4) should coincide with Figure 1 to ensure proper assembly.

FIGURE 2



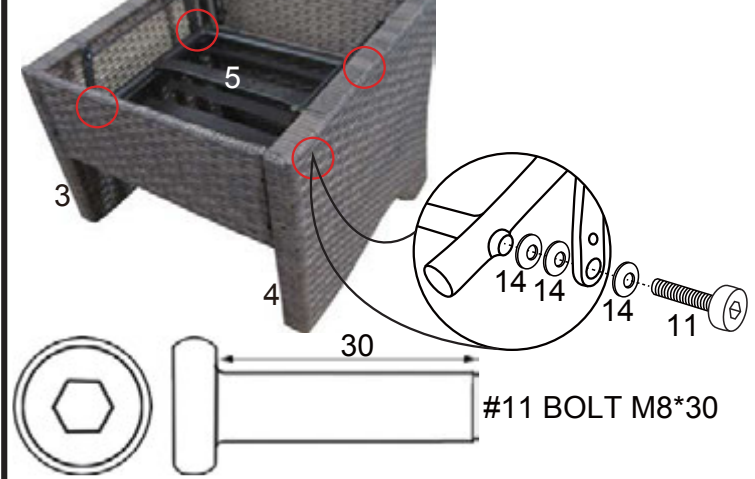
Step 2:
Fasten the seat assembly (#2) to the back assembly (#1) by using bolts (#10), washers (#13) and plastic nuts (#19). Keep the bolts loose. See Figure 2.

FIGURE 3



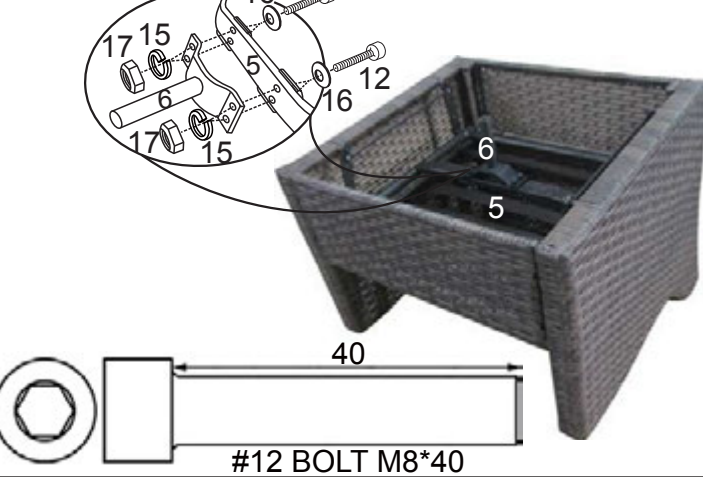
Step 3:
Fasten the seat assembly (#2) to the arms (#3 and #4) by using bolts (#9). Keep the bolts loose. See Figure 3.

FIGURE 4



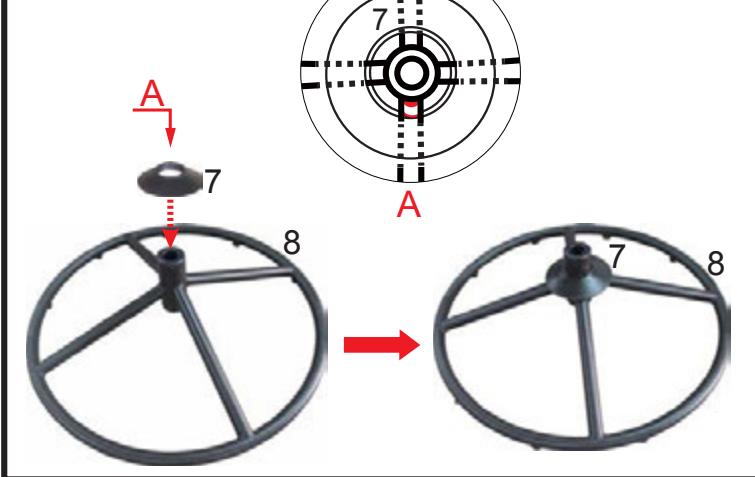
Step 4:
Turn the swivel rocker chair upside down, fasten the support frame (#5) to the left arm (#3) and the right arm (#4) by using bolts (#11) and washers (#14). See Figure 4.

FIGURE 5



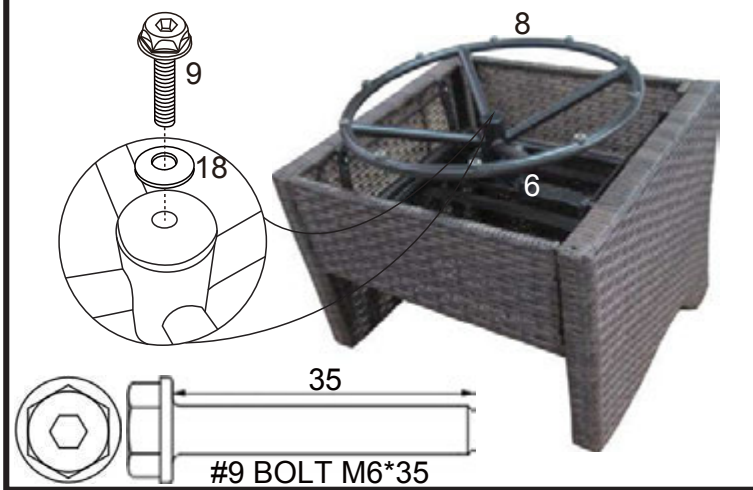
Step 5:
Place the seat post (#6) onto the brace of the support frame (#5). Fasten them together by using bolts (#12), washers (#15 and #16) and jam nuts (#17). See Figure 5.

FIGURE 6



Step 6:
Place the decorative plastic cover (#7) onto the chair's base assembly (#8) as above picture shows. See Figure 6.

FIGURE 7



Step 7:
 Insert the seat post (#6) into the hole located in the center of the base assembly (#8). Fasten them together by using bolt (#9) and washer (#18). Make sure that all of the bolts have been tightened completely. See Figure 7.

Note:
 For ease with installation, we recommend that the seat post (#6) be slightly oiled or waxed before fastening to the base assembly (#8).

Cleaning and Maintenance

- Wash frame and fabric parts with mild soap and water, rinse thoroughly, and dry completely. Do not use bleach, acid, or other solvents on the frame or fabric parts.
- The cushions may be washed on the surface only by using mild soap and water or commercial foaming upholstery cleaner if necessary. If washed, rinse well and hang to dry. Do not machine wash or dry.
- We recommend the use of furniture covers when not in use.
- Inspect and tighten all bolts and fasteners on a regular basis to ensure the proper performance and safety of your swivel rocker chair.
- In order to prolong the life and beauty of your swivel rocker chair, we recommend that it be stored in a dry and protected area during off season periods.

Warranty

- This product is covered by Courtyard Creations Inc.'s one-year limited warranty.
- Proof of purchase (dated register receipt) is required for warranty claims.
- It remains the customer's responsibility for freight and packing charges to and from the service center.

FIGURE 8



Step 8:
 Turn the swivel rocker chair to its upright position. Place the cushions (#23 and #24) onto the swivel rocker chair. See Figure 8

Caution:
 To ensure one's safety during use of this swivel rocker chair, examine all of the bolts to make sure that they are securely fastened. This is a chair with swivel rocker ability; therefore, use by young children should be adult supervised.

STOP!

**Missing A Part?
 No Need To Go Back To
 The Store**

The store where you made your purchase does not stock parts for this item. If you need parts, whether they are missing or damaged, Call Toll Free:
 TEL: 1-877-539-7436
 FAX: 1-877-539-7439
 Call us between 9:00 AM and 4:30 PM Eastern Time Monday through Friday
 For further assistance, please visit us at service.cci@polywares.com

READ THESE INSTRUCTIONS COMPLETELY BEFORE STARTING ASSEMBLY

- ★ SEPARATE AND IDENTIFY ALL OF THE PARTS, MAKING SURE THAT YOU HAVE ALL OF THE PARTS LISTED.
- ★ IF YOU DO NOT LOCATE ALL OF THE PARTS LISTED, INSPECT THE PACKING MATERIAL FOR SMALL PARTS THAT MAY HAVE BECOME SEPARATED DURING SHIPMENT.
- ★ IF YOU EXPERIENCE ANY DIFFICULTY DURING ASSEMBLY OR IF ANY PARTS ARE MISSING OR DAMAGED, CALL THE HELP LINE AT 1-877-539-7436 BEFORE RETURNING THIS ITEM TO THE STORE.
- ★ PROVIDE THE FOLLOWING INFORMATION WHEN CALLING:
 1-MODEL NUMBER OF THE PRODUCT.
 2-PART NUMBER AND MATERIAL CODE OF THE PART FROM THE PARTS LIST.
- ★ MOST PROBLEMS CAN BE RESOLVED WITHOUT RETURNING THIS PRODUCT TO THE RETAILER.

⚠ WARNING:

Swivel glider is for sitting purposes only. Standing on or misuse of swivel glider may result in damage or injury. Weight limit 250 lbs (113.5kg). Not intended for commercial use.