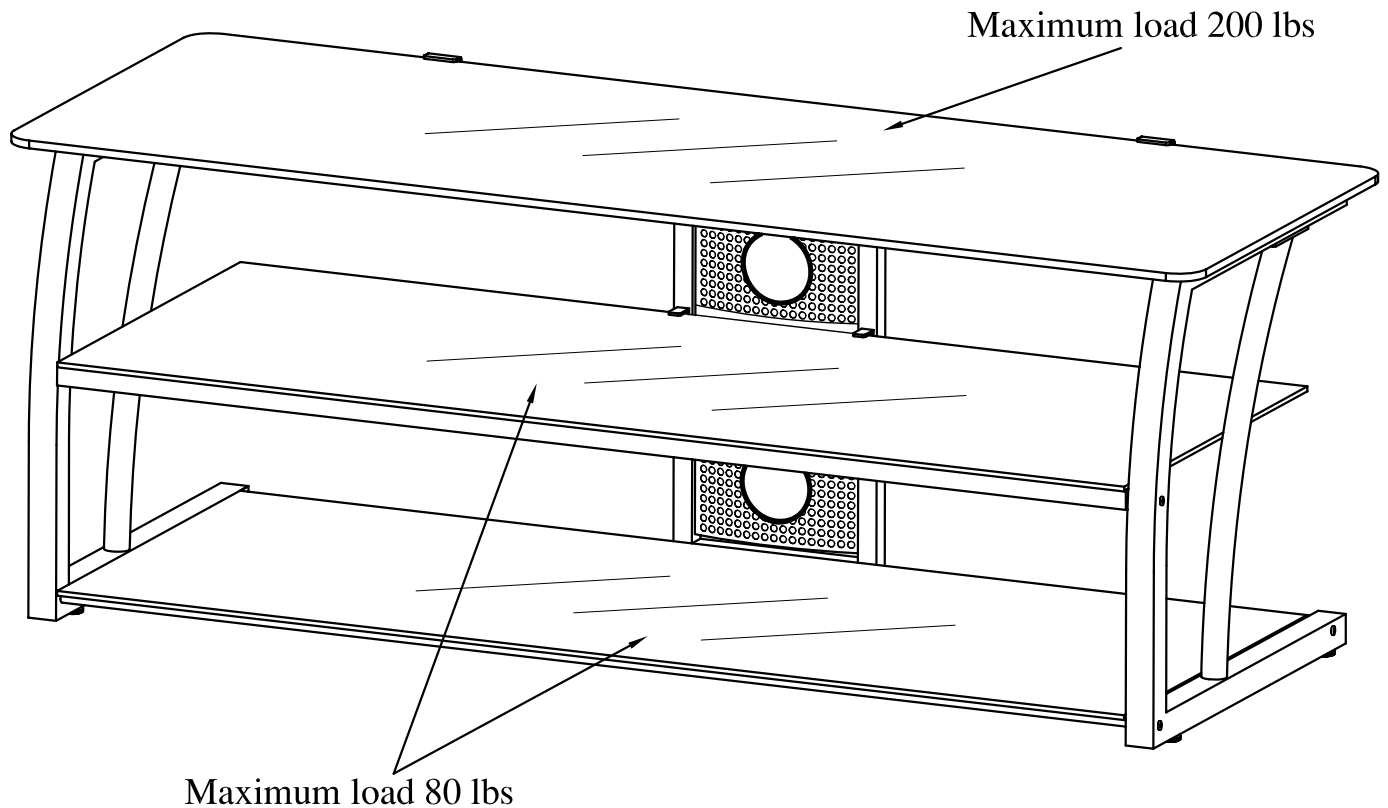


# ASSEMBLY INSTRUCTIONS

## TV STAND

ITEM# TS-10-07G 44IN SKU# 610010660



**Warning:** Fits most Plasma / LCD TV set up to 45". Maximum load for stand top is 200 lbs;  
Maximum load for stand shelf is 80 lbs.



**Caution:** This stand is intend for use only with the products and maximum weights indicated.  
Use with other products or products heavier than the maximum weights indicated  
may result in instability causing possible injury.

Suggest 2 adults to assemble this product in an open area.

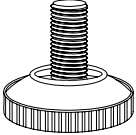
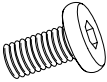
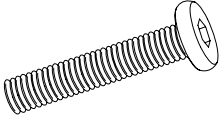
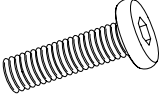
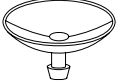


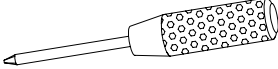
Do not tighten the screws or bolts until all the parts are in place.

For spare bolts, please contact










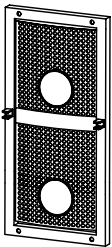

Big Lots Customer Care

Tel: 1-866-244-5687 E-mail: [talk2us@biglots.com](mailto:talk2us@biglots.com)

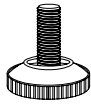
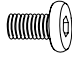


# HARDWARE LIST

1	4PCS	5/16"*30*13	2	6PCS	1/4"*13mm	3	10PCS	1/4"*42mm
LEVELER			ALLEN BOLT			ALLEN BOLT		
								
4	4PCS	1/4"*28mm	5	14PCS	∅18*1mm	6	2PCS	5/16"*T10mm
ALLEN BOLT			SUCTION HOLDER			BOLT		
								
7	1PC							
ALLEN WRENCH			PH SCREW DRIVER					
								
INCLUDED			NOT INCLUDED					

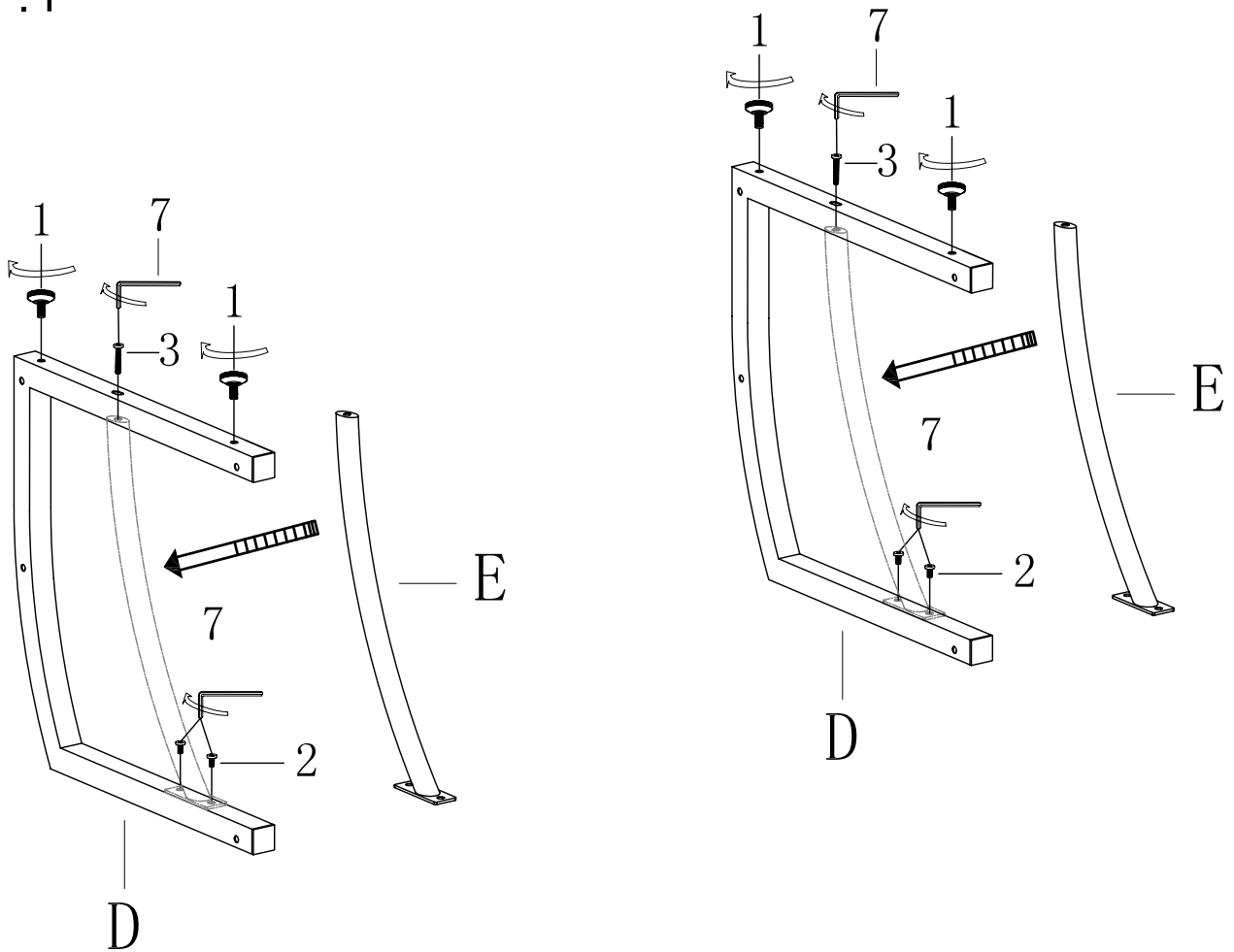
# PARTS LIST



A	1PC		B	1PC		C	1PC	
TOP GLASS			MIDDLE GLASS			BOTTOM GLASS		
								
D	2PCS		E	2PCS		F	1PC	
SIDE FACE FREAME			SUPPORT (ROUND TUBE CHROME PLATED)			CONNECTER (SQUARE TUBE)		
								
G	1PC		H	1PC		I	1PC	
CONNECTER (SQUARE TUBE)			CONNECTER (SQUARE TUBE CHROME PLATED)			CONNECTER (ROUND TUBE)		
								
J	1PC		K	2PCS				
BACK FRAME			TOP GLASS BACK STOPPER					
								

## REQUIRED HARDWARE IN THIS STEP

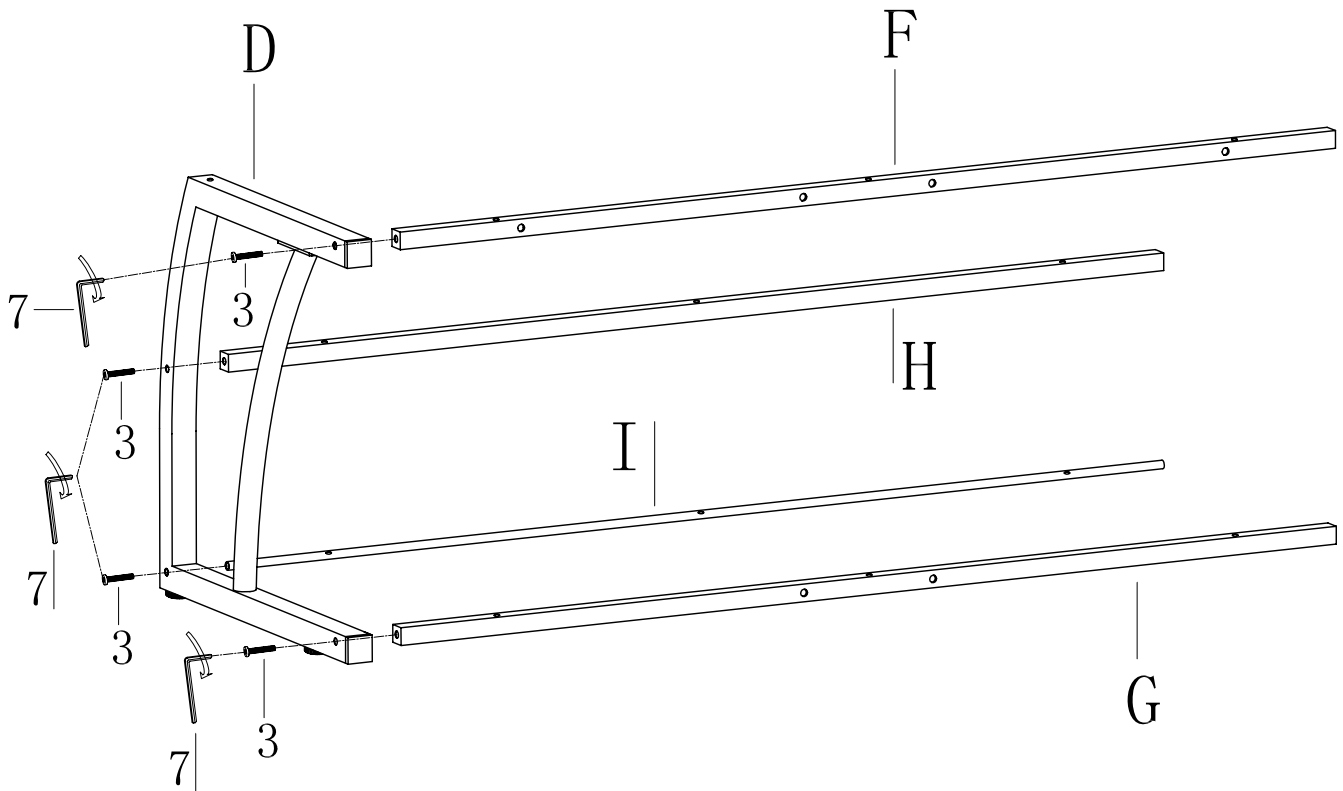
NO:	DESCRIPTION	SKETCH	Q' TY
1	LEVELER		4
2	ALLEN BOLT		4
3	ALLEN BOLT		2
7	ALLEN WRENCH		1



### STEP: 1



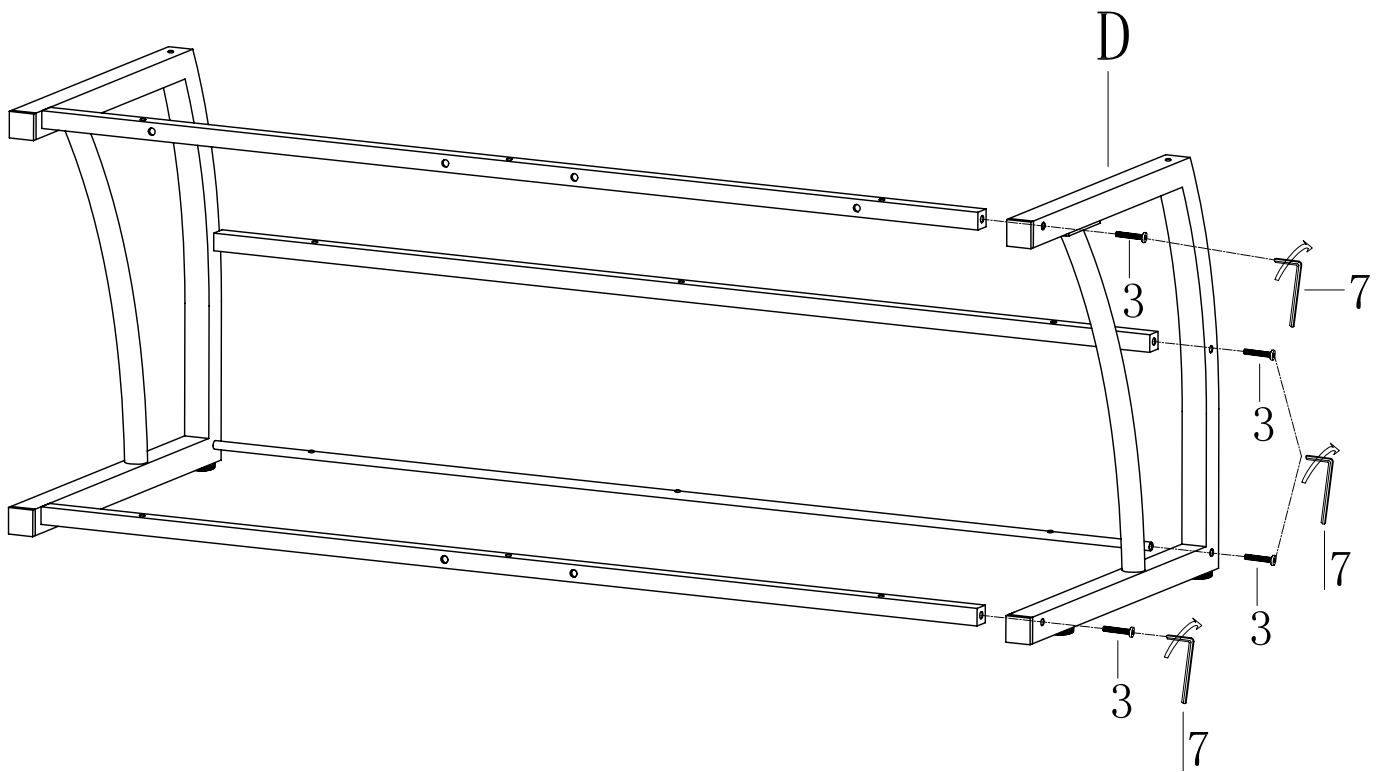
REQUIRED HARDWARE IN THIS STEP			
NO:	DESCRIPTION	SKETCH	Q' TY
3	ALLEN BOLT		4
7	ALLEN WRENCH		1

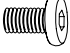


STEP:2



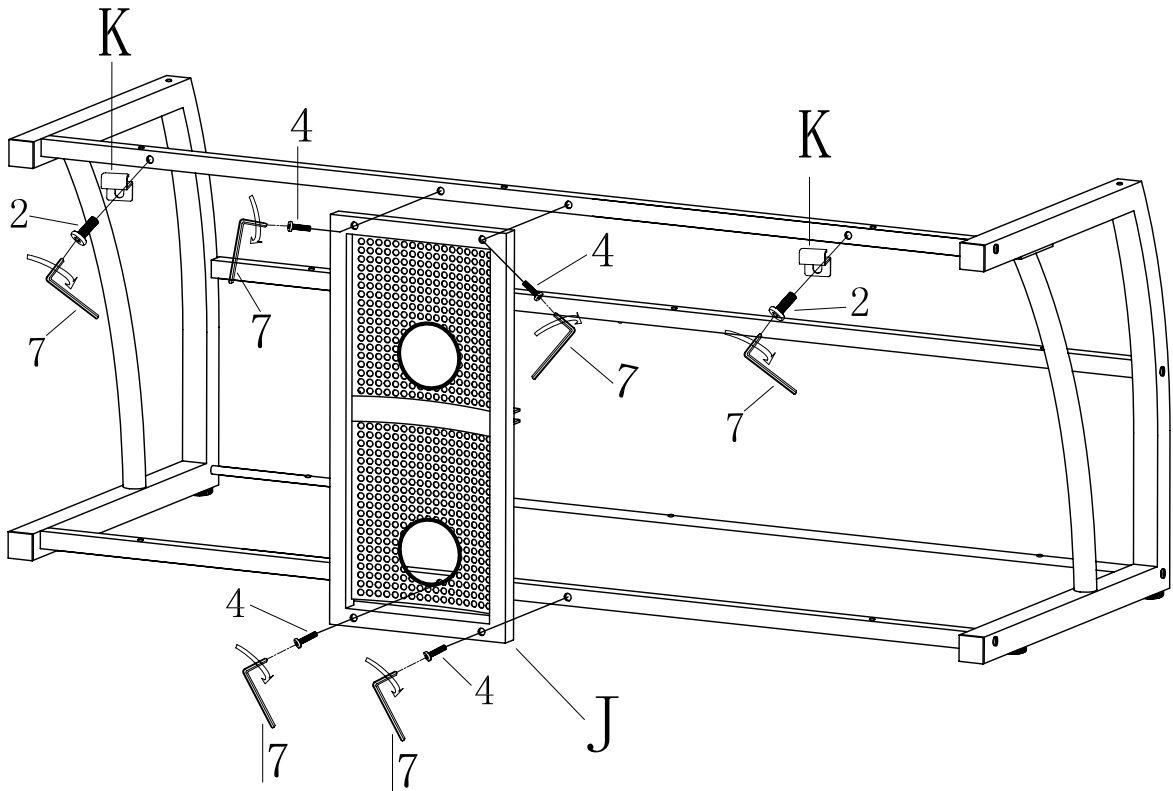
REQUIRED HARDWARE IN THIS STEP			
NO:	DESCRIPTION	SKETCH	Q' TY
3	ALLEN BOLT		4
7	ALLEN WRENCH		1

**STEP:3**

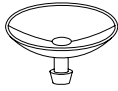


REQUIRED HARDWARE IN THIS STEP			
NO:	DESCRIPTION	SKETCH	Q' TY
2	ALLEN BOLT		2
4	ALLEN BOLT		4
7	ALLEN WRENCH		1

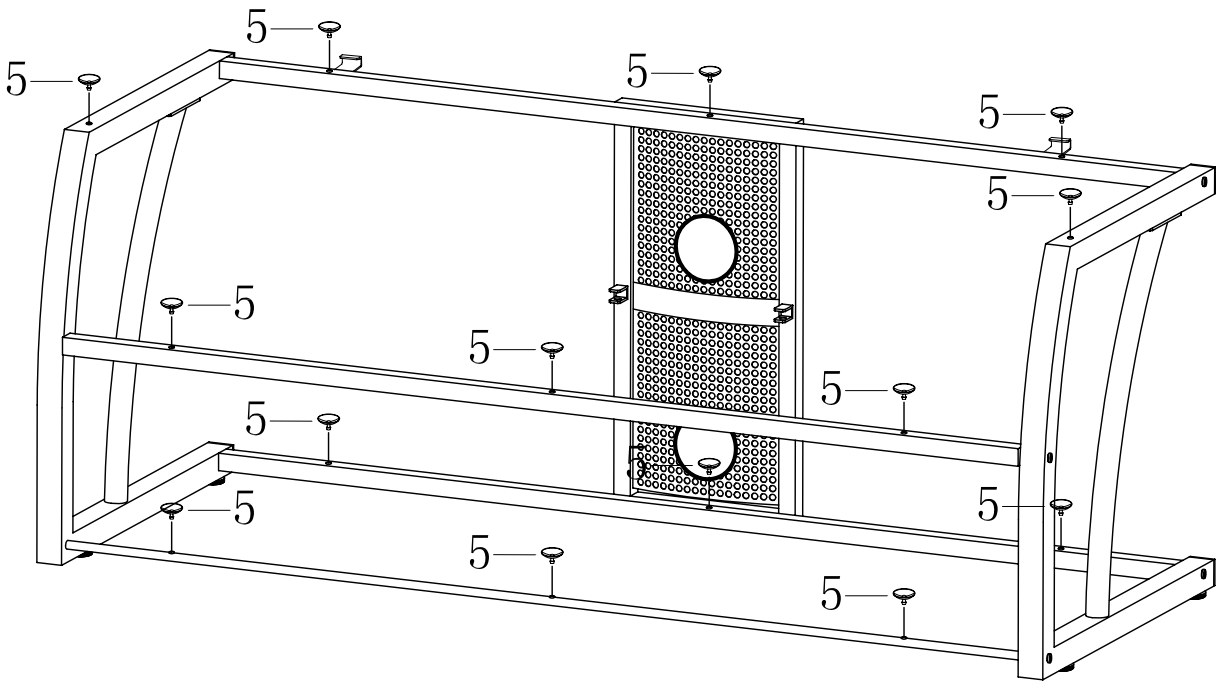
**STEP:4**



## REQUIRED HARDWARE IN THIS STEP

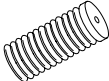
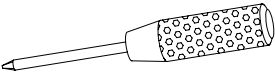
NO:	DESCRIPTION	SKETCH	Q' TY
5	SUCTION HOLDER		14

### STEP:5

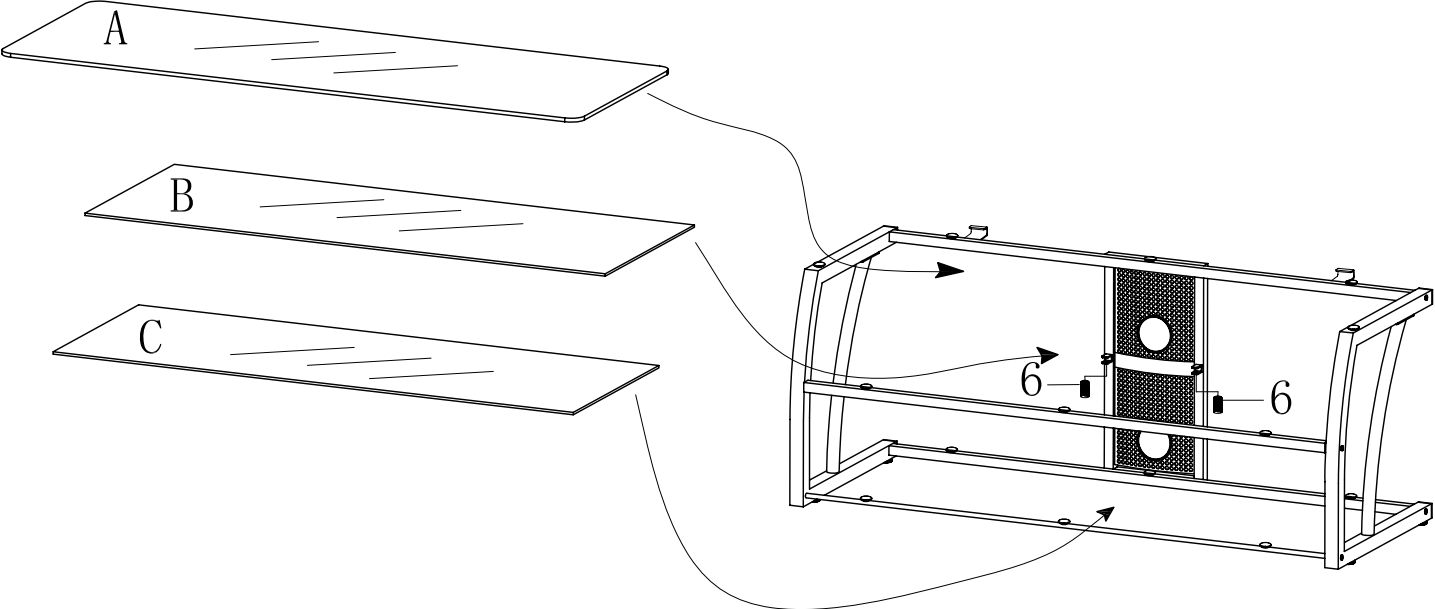




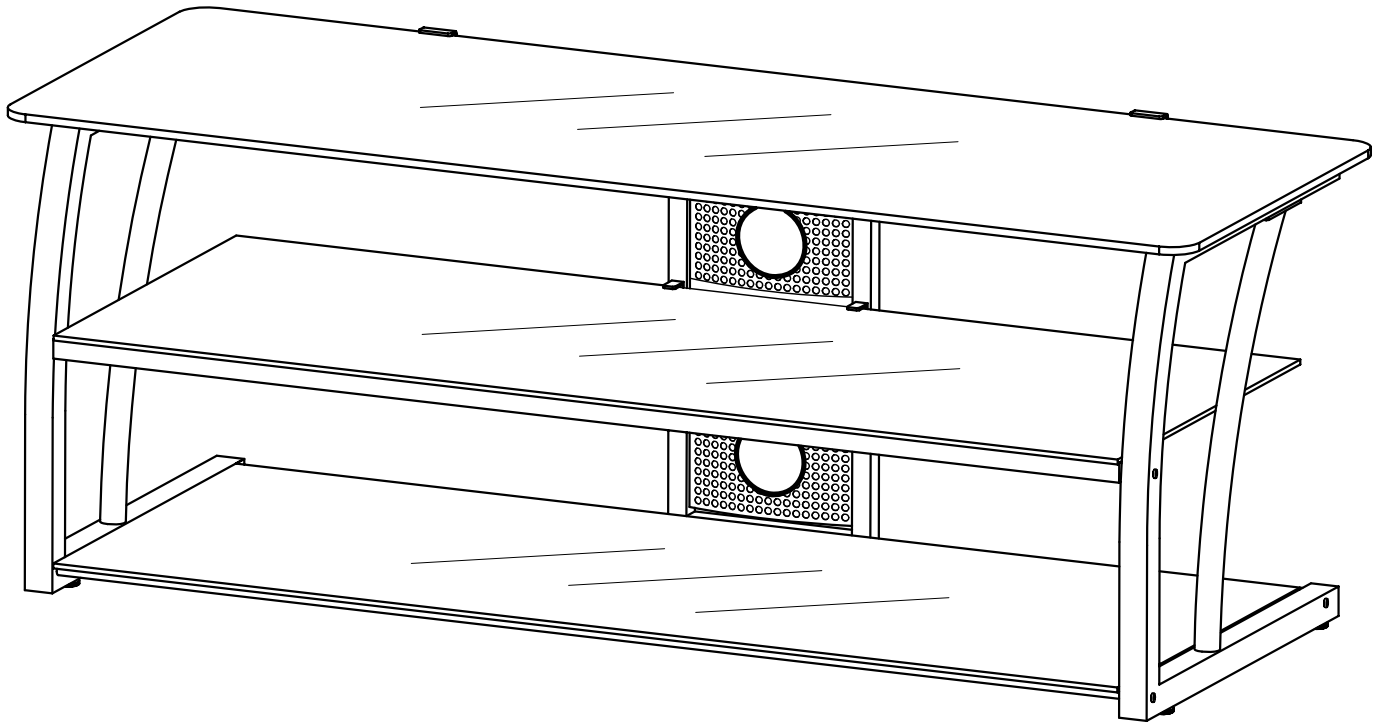
## REQUIRED HARDWARE IN THIS STEP

NO:	DESCRIPTION	SKETCH	Q' TY
6	BOLT		2
	PH SCREW DRIVER NOT INCLUDED		

### STEP:6



STEP:7



MADE IN CHINA