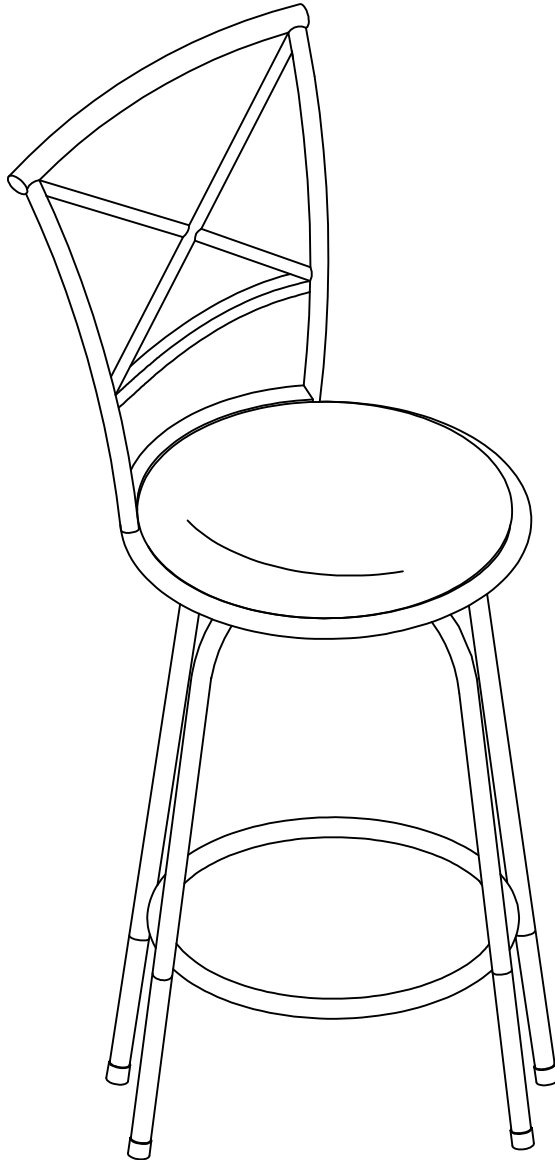


Assembly Instructions

Barstool

ITEM#:LA1571-24 SKU#:612007133

ITEM#:AL1571-30 SKU#:612007134



 **WARNING:** DO NOT stand or climb on barstool.

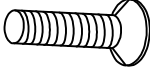
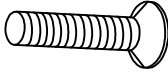
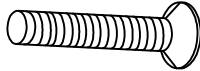
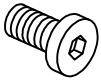


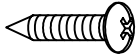
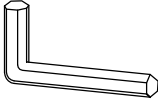
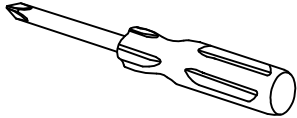
Big Lots Customer Care

P.O.Box 28523;Columbus,OH 43228-0523

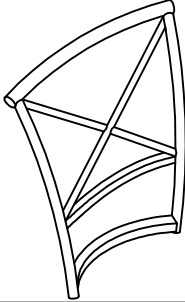
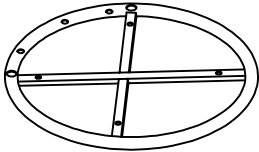
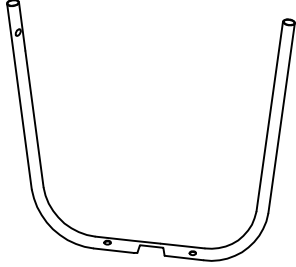
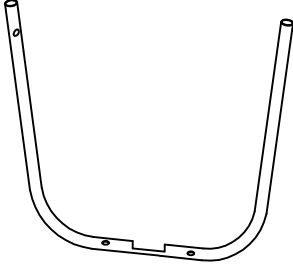
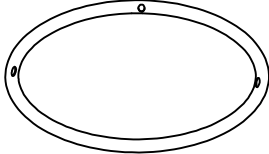

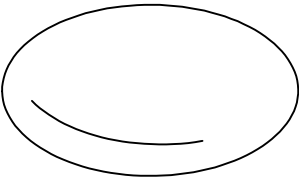
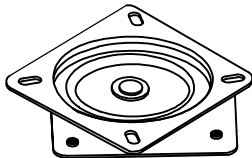
Phone #:1-866-BIGLOTS(1-866-244-5687)

Email Add:TaLk2Us@BigLots.com

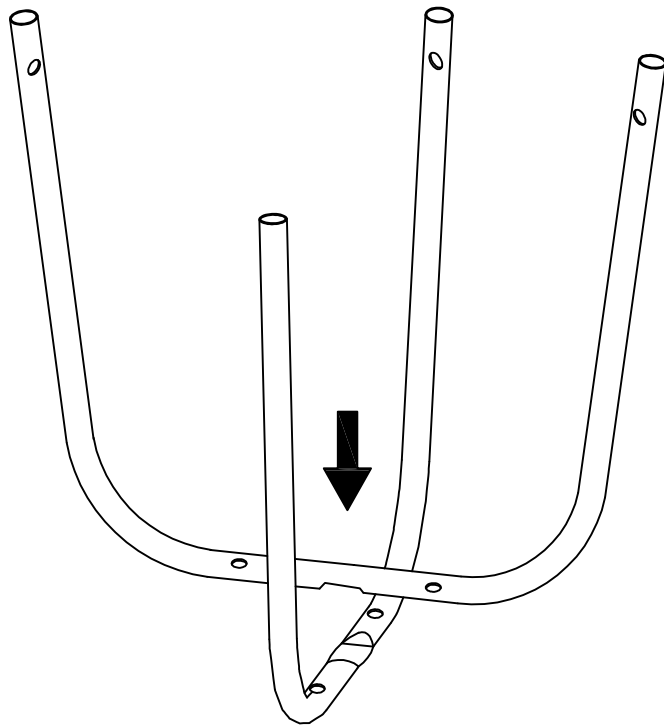
Hardware List

A	4PCS	1/4x1-1/8in	B	5PCS	1/4x1-1/4in	C	4PCS	1/4x1-1/2in
Countersunk Hex Bolt			Countersunk Hex Bolt			Countersunk Hex Bolt		
								
D	4PCS	1/4x1/2in	E	4PCS	Ø10x1.0mm	F	4PCS	Ø13xØ7x1.0mm
Allen Bolt			Spring Washer			Flat Washer		
								
G	4PCS	Ø4x30mm	H	1PC	4x4mm	PH Screw Driver Not Included		
Wood Screw			Allen Wrench					
			 Included					

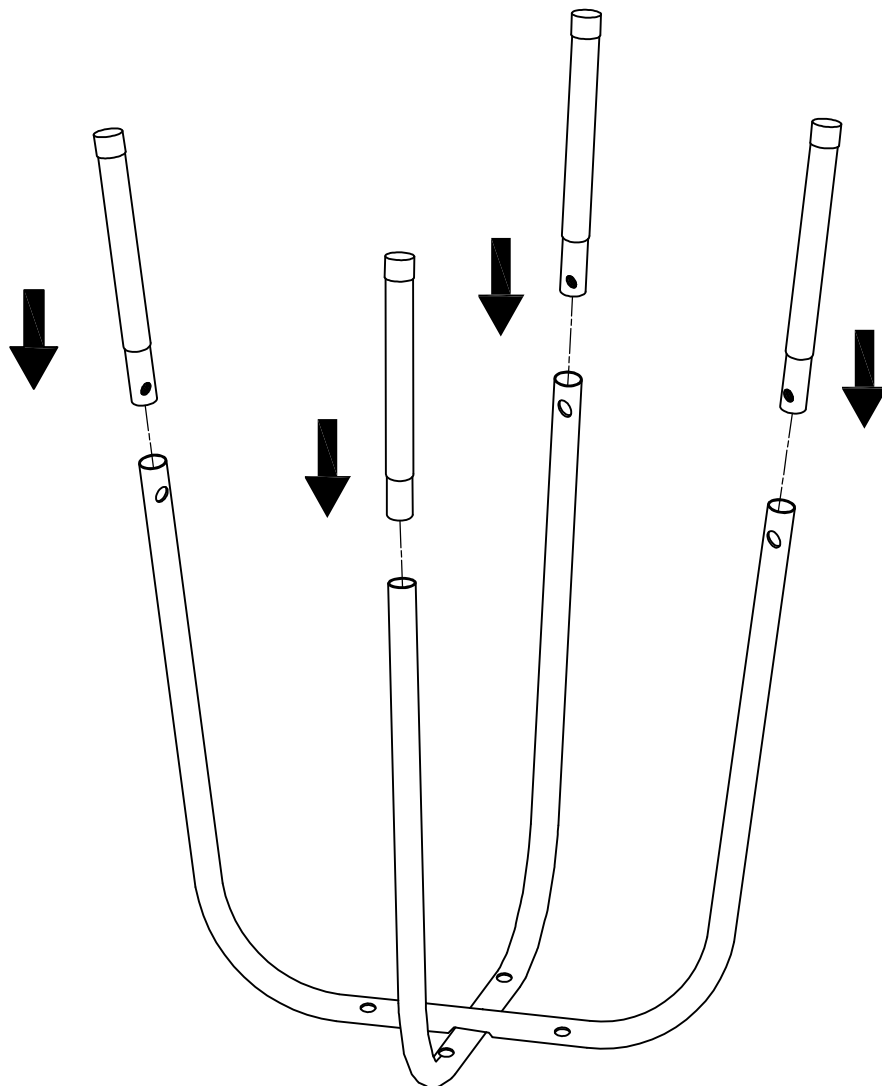
Parts List

1PC	1PC	1PC
Backrest	Top Frame	Under Leg
		
1PC	1PC	4PCS
Upper Leg	Connecting Link	Connecting Leg
		
1PC	1PC	
Cushion	Rotating Drive	
		

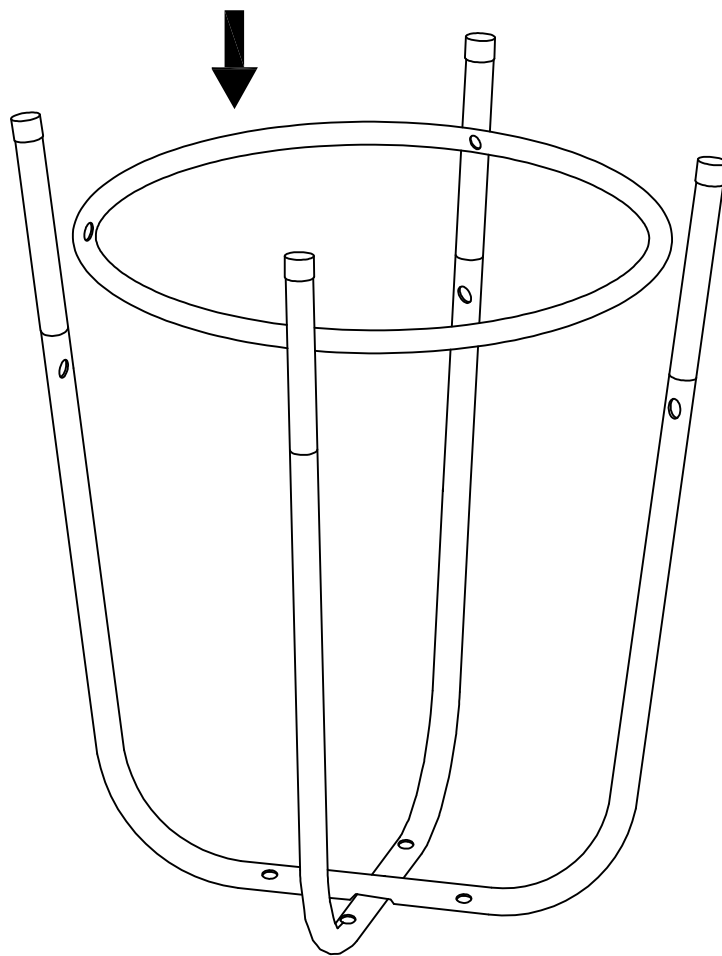
STEP:1



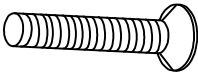
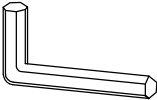
STEP:2



STEP:3

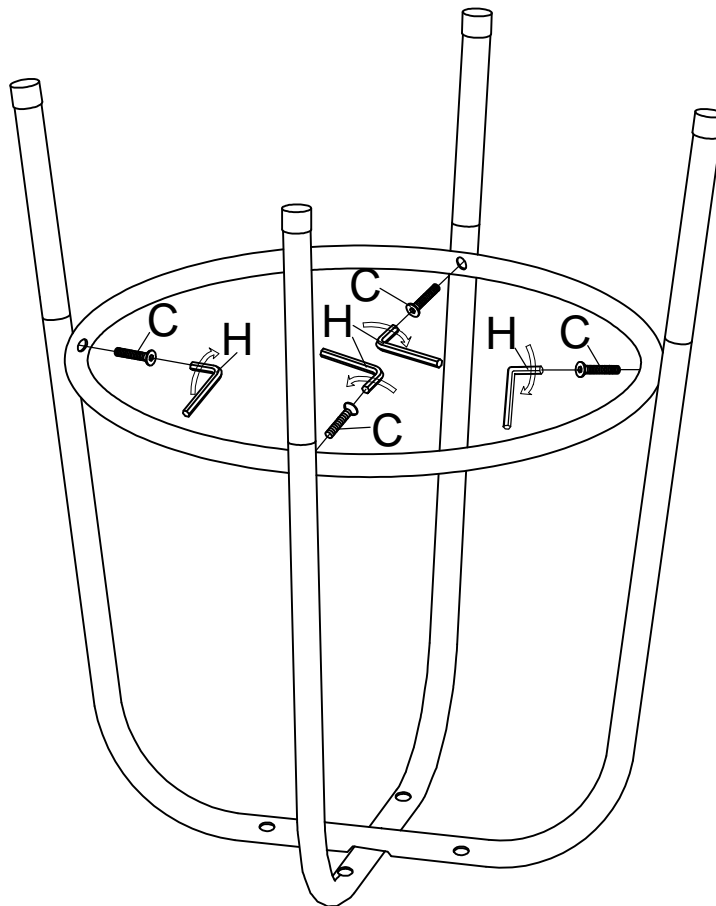


Required Hardware In This Step

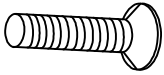

NO:	Description	Sketch	Q'TY
C	Countersunk Hex Bolt		4
H	Allen Wrench		1

STEP:4

Do not fully tighten,80 percent tightening only.

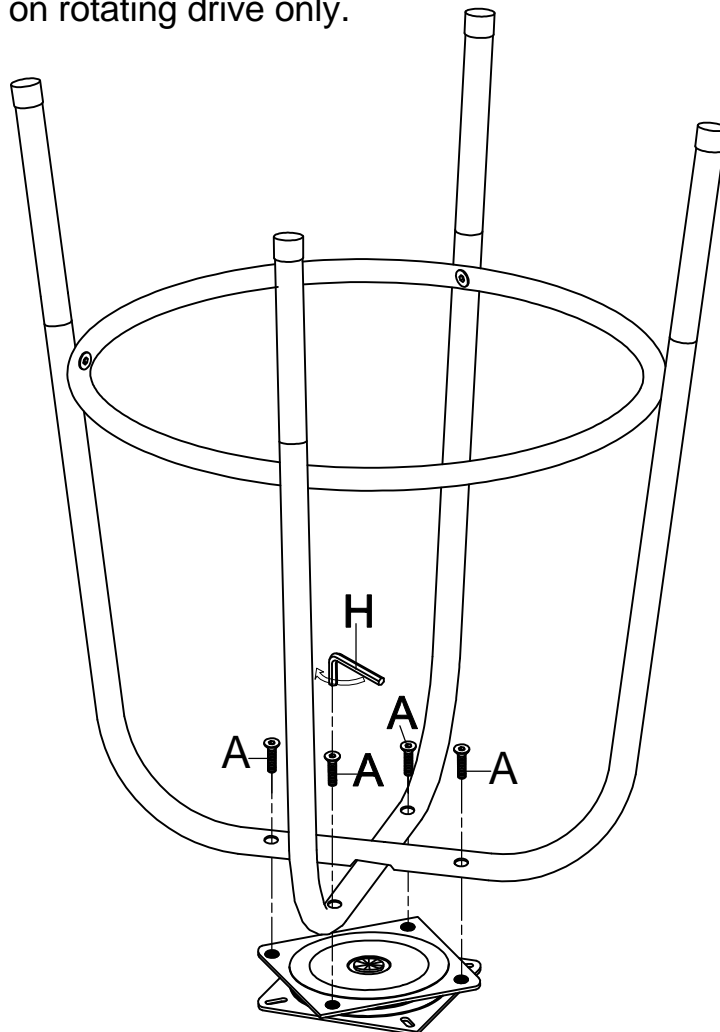


Required Hardware In This Step

NO:	Description	Sketch	Q'TY
A	Countersunk Hex Bolt		4
H	Allen Wrench		1

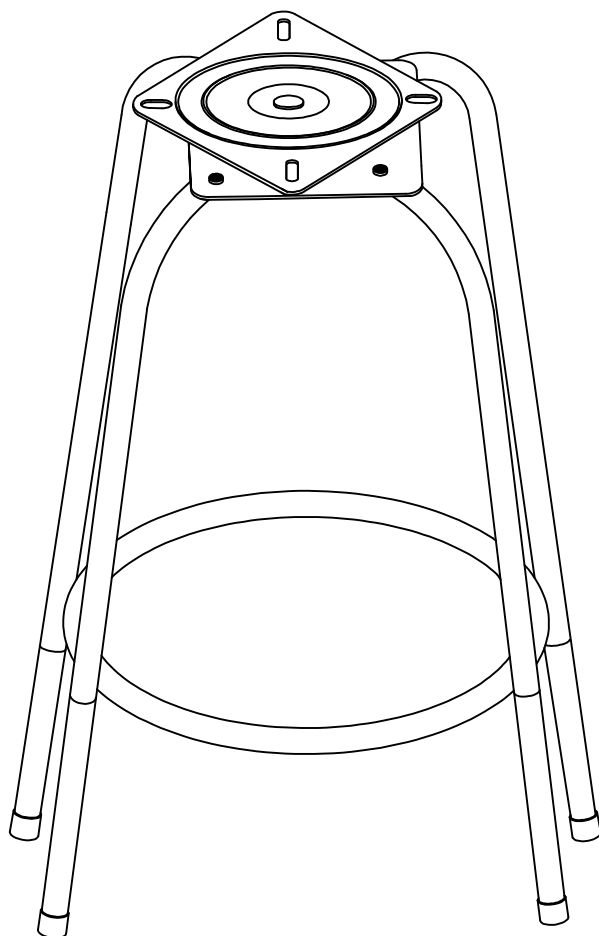
STEP:5

Fully tighten all bolts on rotating drive only.

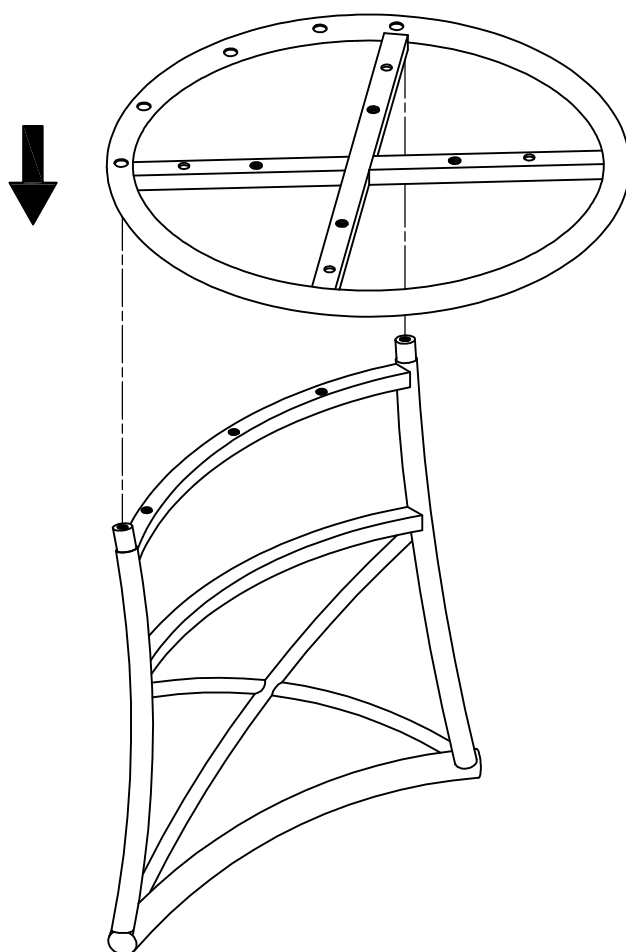


STEP:6

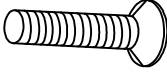
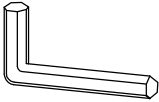
Set base upright and the fully tighten all bolts.



STEP:7

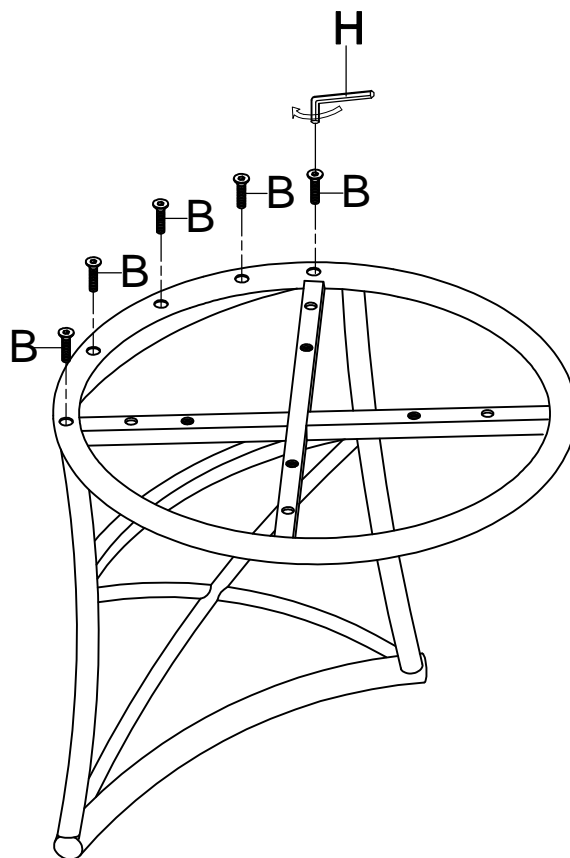


Required Hardware In This Step

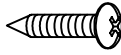

NO:	Description	Sketch	Q'TY
B	Countersunk Hex Bolt		5
H	Allen Wrench		1

STEP:8

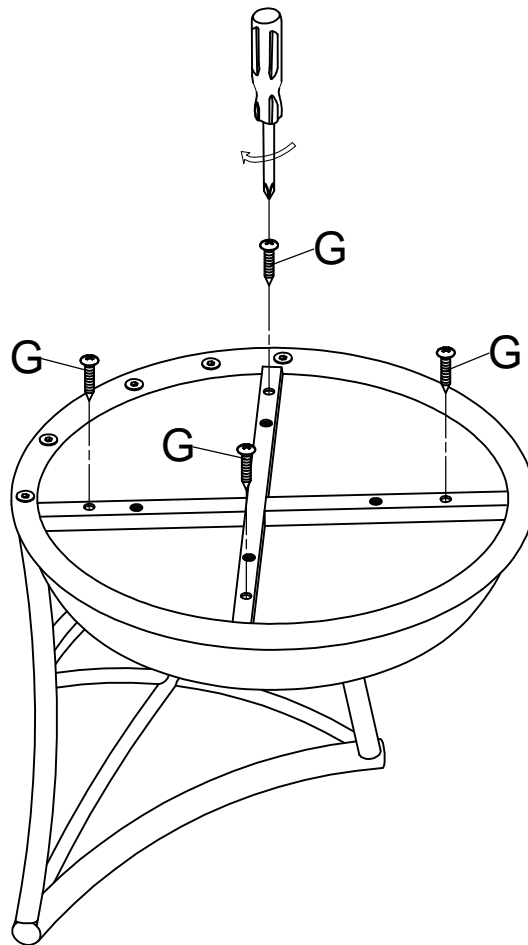
Tighten all bolts in this step.



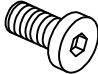



Required Hardware In This Step

NO:	Description	Sketch	Q'TY
G	Wood Screw		4
	PH Screw Driver Not Included		

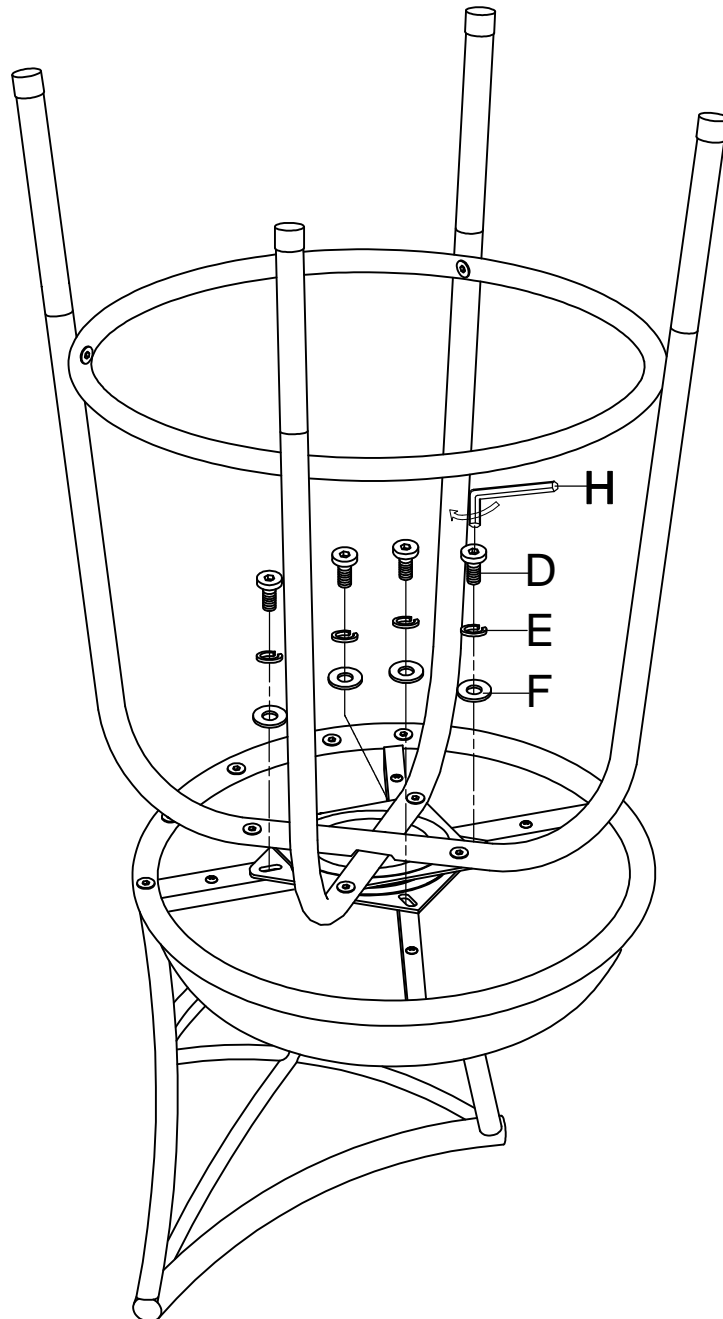
STEP:9



Required Hardware In This Step

NO:	Description	Sketch	Q'TY
D	Allen Bolt		4
E	Spring Washer		4
F	Flat Washer		4
H	Allen Wrench		1

STEP:10



STEP:11

