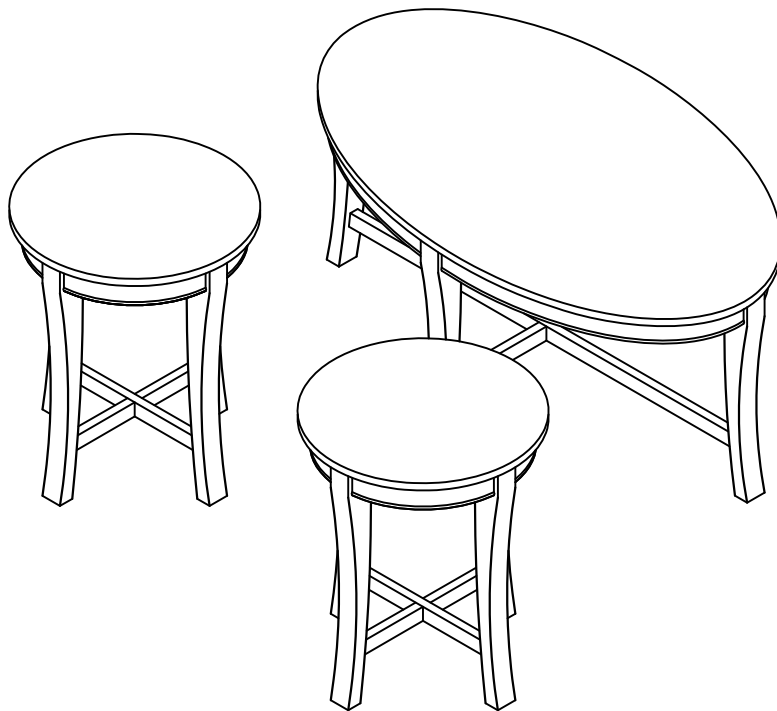


Assembly Instruction

Item No.: CS-12250

SKU No.: 810169018

Description: 3pk table set



WARNING

Caution: Adult assembly required. Assembly will require at least 2 people.
Assemble on soft surfaces to prevent damage to the product finish.

DO NOT use power tools.

CARE AND CLEANING

DO NOT scratch or chip the finish. DO NOT use abrasive chemicals for cleaning.

MAINTENANCE

Check bolts/screws periodically and tighten if necessary.

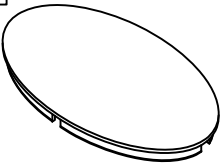

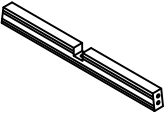
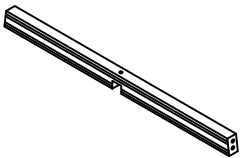
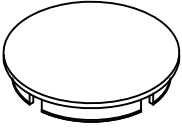

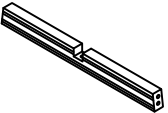
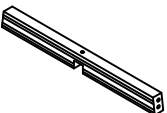
WARNING: Should this product become damaged, and/or components are broken or missing, DO NOT USE.

For spare metal parts, please contact Big Lots Customer Care

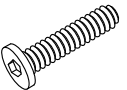




Tel: 1-866-244-5687

E-Mail: Talk2Us@biglots.com

PART LIST

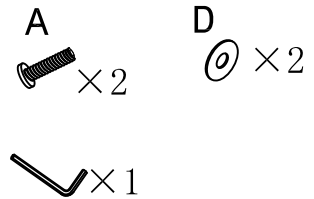
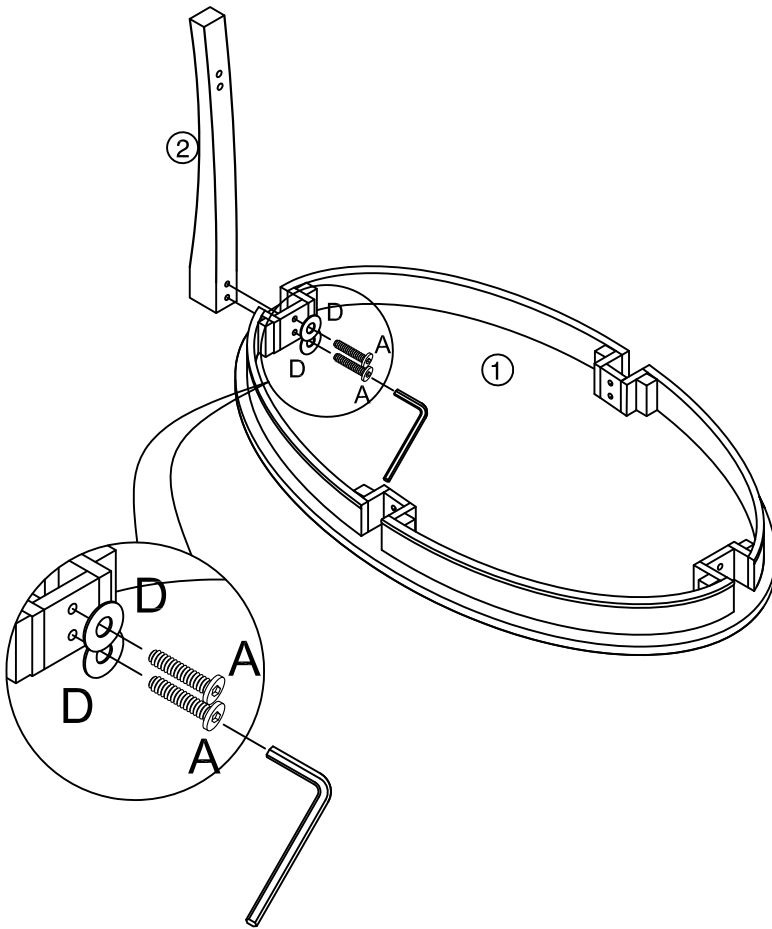
<p>1</p> 	<p>2</p> 	<p>3</p> 	<p>4</p> 
<p>TOP PANEL</p> <p>1PC</p>	<p>FOOT</p> <p>4PCS</p>	<p>DOWN PANEL</p> <p>1PC</p>	<p>UP PANEL</p> <p>1PC</p>
<p>5</p> 	<p>6</p> 	<p>7</p> 	<p>8</p> 
<p>TOP PANEL</p> <p>2PCS</p>	<p>FOOT</p> <p>8PCS</p>	<p>DOWN PANEL</p> <p>2PCS</p>	<p>UP PANEL</p> <p>2PCS</p>

HARDWARE LIST

<p>A</p>  <p>2" * ϕ 7 * D13mm</p>	<p>B</p>  <p>1 - 1/4" * ϕ 4 * D8mm</p>	<p>C</p> 	<p>D</p> 
<p>BOLT</p> <p>24PCS</p>	<p>SCREW</p> <p>15PCS</p>	<p>DOWEL</p> <p>12PCS</p>	<p>WASHER</p> <p>24PCS</p>
			
<p>ALLEN WRENCH</p> <p>1PC</p>			

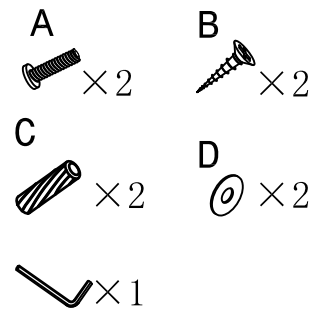
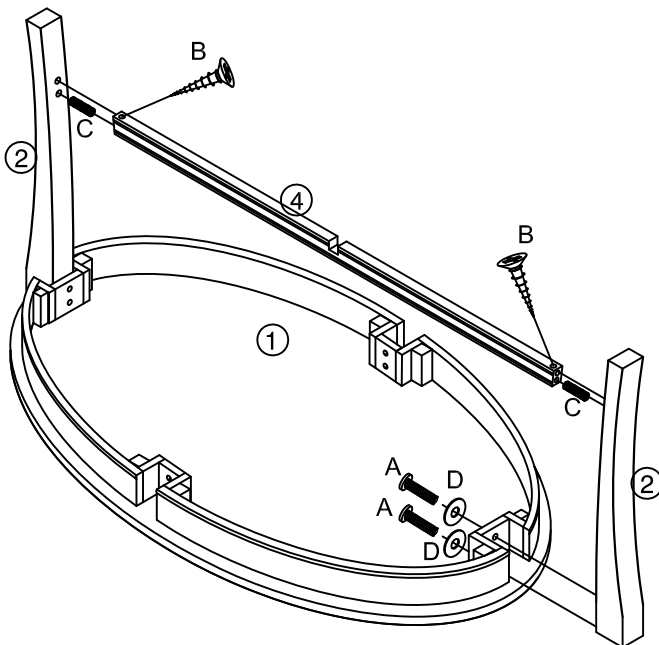
STEP1

Attach the part(2) to part(1) using 2pcs part(A) and using 2pcs part(D).

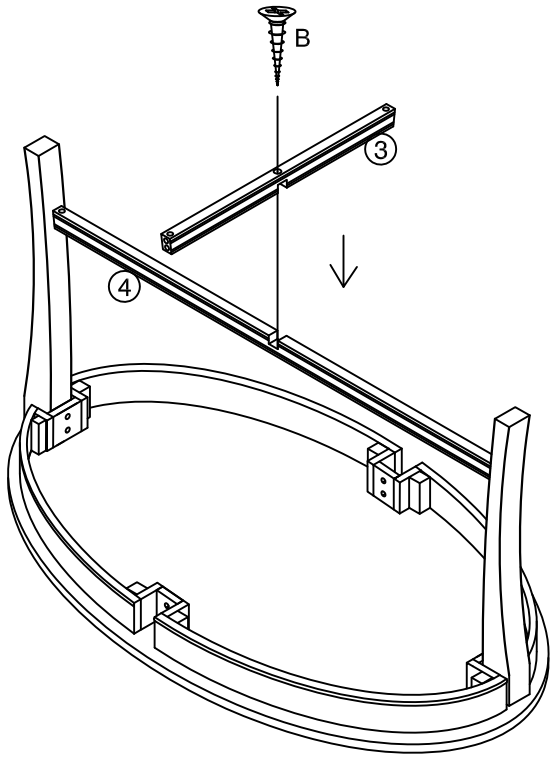


STEP2

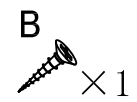
Insert 2pcs part(C) into the holes in the part(4). Attach the part(4) to part(2) using 2pcs part(B). Attach the part(2) to part(1) using 2pcs part(A) and using 2pcs part(D).



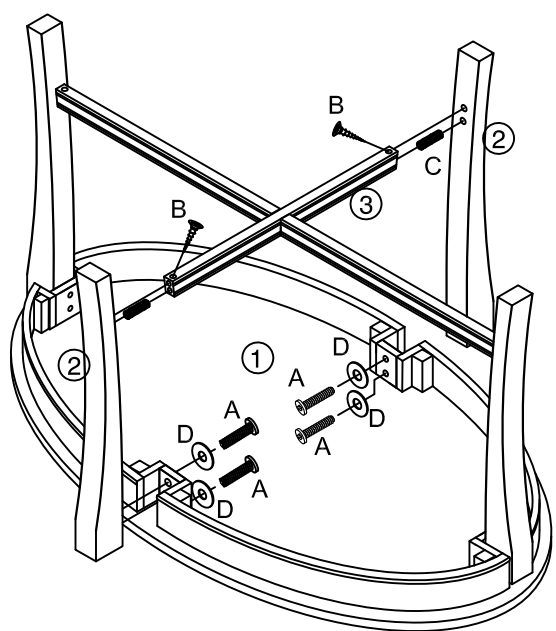
STEP3



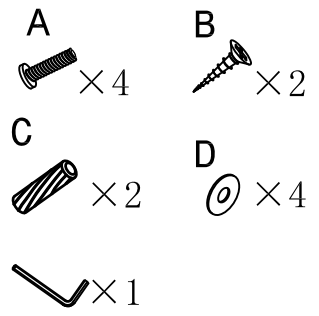
Insert the part(3) into slot in the part(4) using 1pc part(B).



STEP4

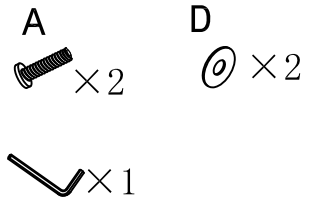
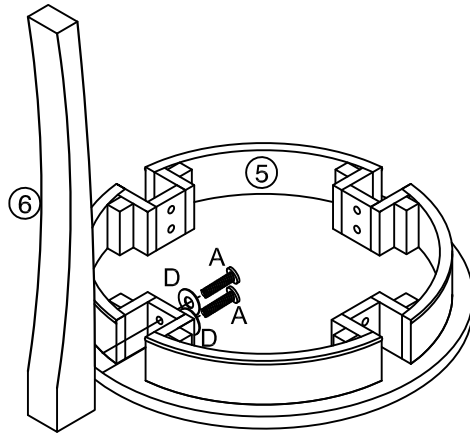


Insert 2pcs part(C) into the holes in the part(3).
 Attach the part(2) to part(3) using 2pcs part(B).
 Attach the part(2) to part(1) using 4pcs part(A) and using 4pcs part(D).



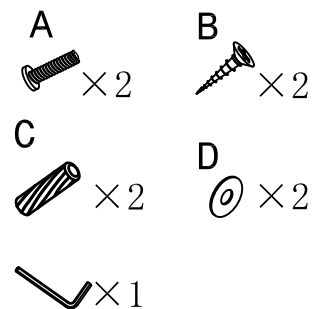
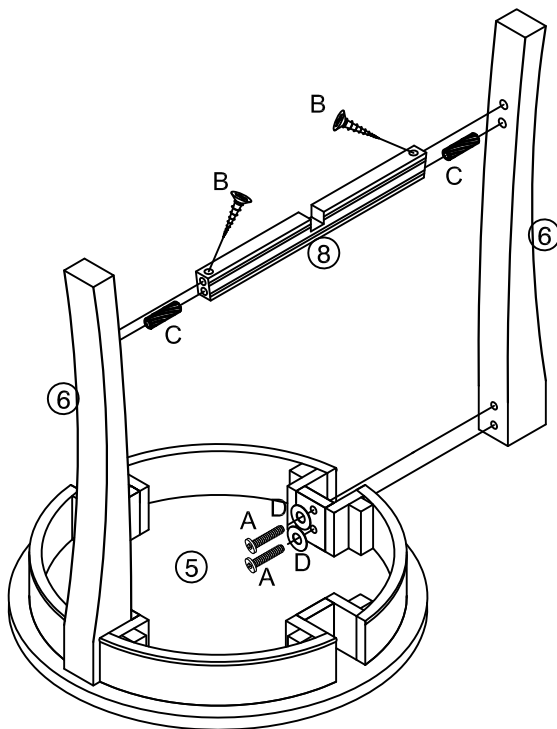
STEP5

Attach the part(6) to part(5) using 2pcs part(A) and using 2pcs part(D).



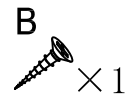
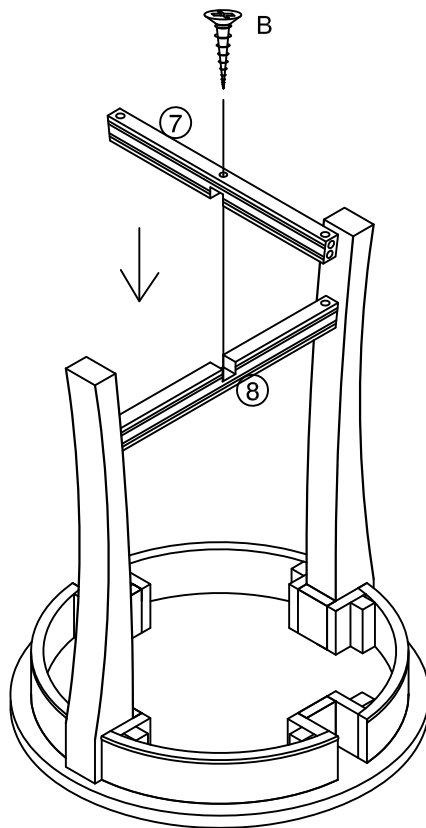
STEP6

Insert 2pcs part(C) into the holes in the part(8). Attach the part(8) to part(6) using 2pcs part(B). Attach the part(6) to part(5) using 2pcs part(A) and using 2pcs part(D).



STEP 7

Insert the part(7) into slot in the part(8) using 1pc part(B).



STEP 8

Insert 2pcs part(C) into the holes in the part(7). Attach the part(6) to part(7) using 2pcs part(B). Attach the part(6) to part(5) using 4pcs part(A) and 4pcs part(D).

