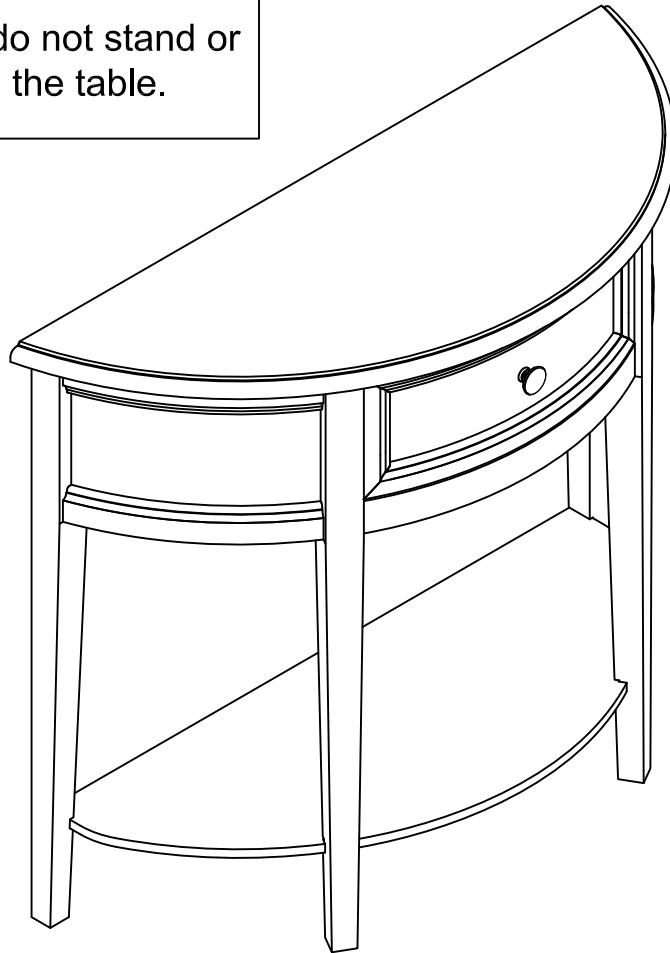
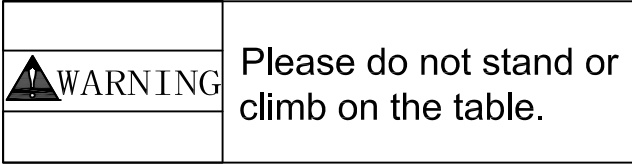


# Assembly Instruction

Item No. CS-60120

SKU No. 810189708

ACCENT TABLE RED SEMI CIRCLE



## **WARNING**

**Caution: Assembly will require at least 2 adults.**

**Assemble on soft surfaces to prevent product finish from any damage.**

**DO NOT use power tools.**

## **CARE AND CLEANING**

**DO NOT scratch or chip the finish. DO NOT use abrasive chemicals for cleaning.**

**Clean with mild soap on a soft rag. Rinse and dry thoroughly.**

## **MAINTENANCE**

**Check bolts/screws periodically and tighten if necessary.**

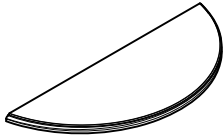
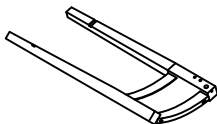
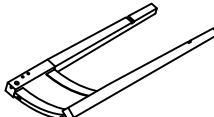
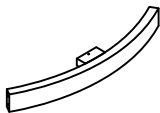
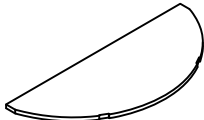
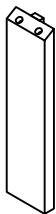
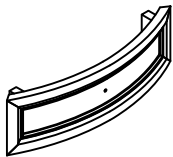
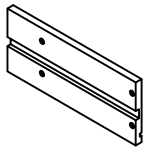
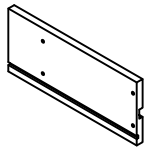
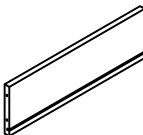
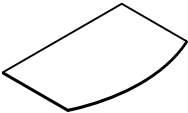
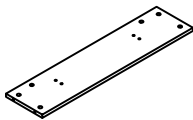
**WARNING: Should this product become damaged, and/or components are broken or missing, DO NOT USE.**

**Consumer Service NO. 1-888-527-1368**

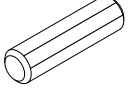
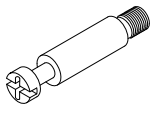
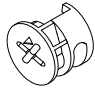

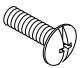

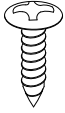


**Operation time of our service: 9:30AM - 5:30PM**

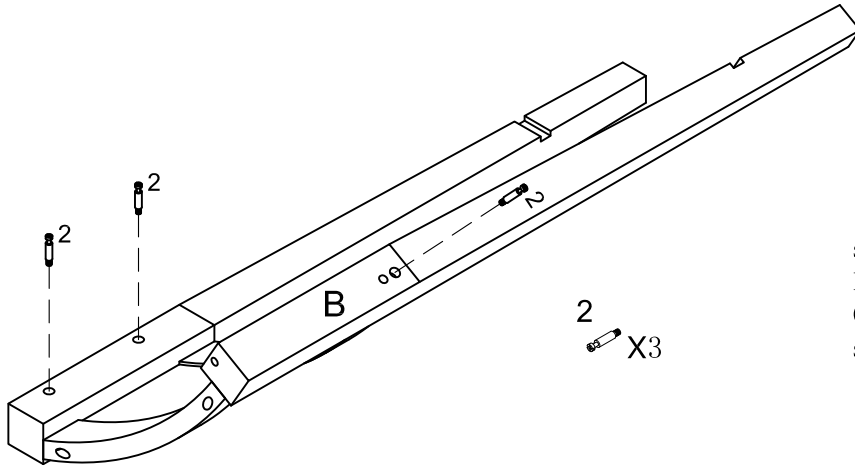
**Leave a message after normal call center hours**

# PART LIST

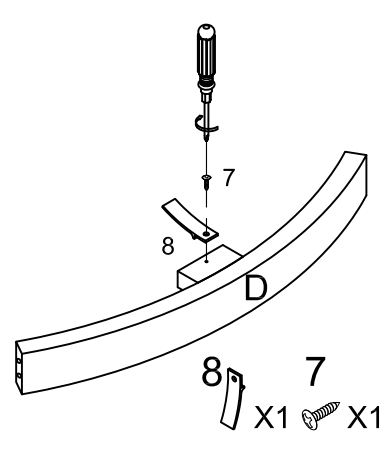
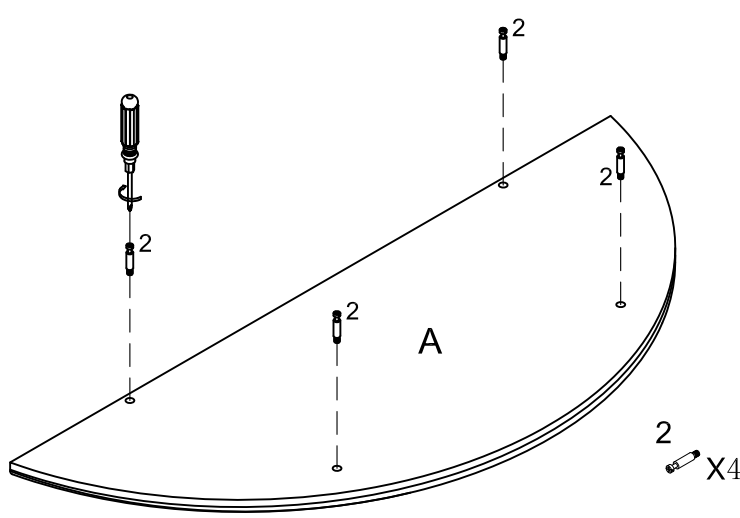
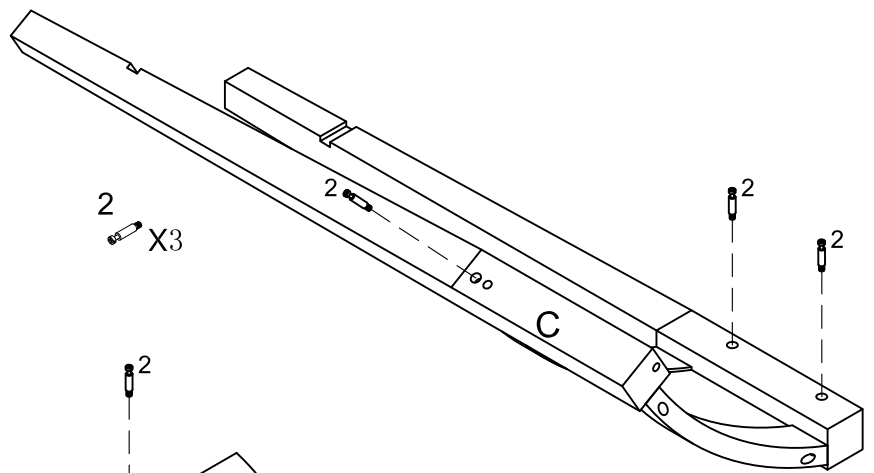
<p><b>A</b></p> 	<p><b>B</b></p> 	<p><b>C</b></p> 	<p><b>D</b></p> 	<p><b>E</b></p> 
<p>TOP PANEL 1 PC</p>	<p>LEFT SIDE FRAME 1 PC</p>	<p>RIGHT SIDE FRAME 1 PC</p>	<p>MIDDLE RAIL 1PC</p>	<p>BOTTOM PANEL 1 PC</p>
<p><b>F</b></p> 	<p><b>G</b></p> 	<p><b>H</b></p> 	<p><b>I</b></p> 	<p><b>J</b></p> 
<p>DRAWER SLIDER PANEL 2 PCS</p>	<p>DRAWER FRONT FRAME 1 PC</p>	<p>DRAWER LEFT SIDE FRAME 1 PC</p>	<p>DRAWER RIGHT SIDE FRAME 1 PC</p>	<p>DRAWER BACK PANEL 1 PC</p>
<p><b>K</b></p> 	<p><b>L</b></p> 			
<p>DRAWER BOTTOM PANEL 1 PC</p>	<p>BACK CONNECT PANEL 1 PC</p>			

# HARDWARE LIST

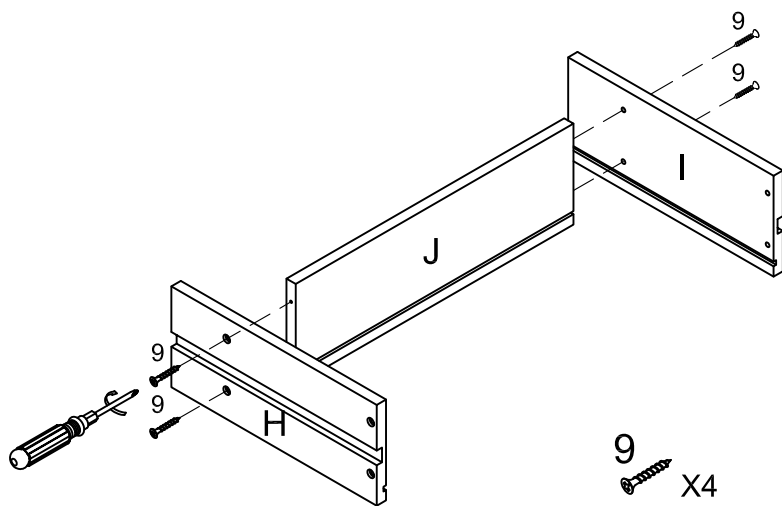
<p>1</p> 	<p>2</p> 	<p>3</p> 	<p>4</p> 	<p>5</p>  <p>1/2"*ø5/32"*D9mm</p>
<p>WOOD DOWEL 10 PCS</p>	<p>CAM BOLT 10 PCS</p>	<p>CAM LOCK 10 PCS</p>	<p>KNOB 1 PC</p>	<p>ROUND HEAD BOLT 1 PC</p>
<p>6</p>  <p>1-1/4"*ø4*D8mm</p>	<p>7</p>  <p>12mm*ø3*D6mm</p>	<p>8</p> 	<p>9</p>  <p>1"*ø4*D8mm</p>	
<p>SCREW 4 PCS</p>	<p>ROUND HEAD SCREW 1 PC</p>	<p>DRAWER STOPPER 1 PC</p>	<p>SCREW 8 PCS</p>	



step 1  
 Insert cam bolt (2) into top panel (A), left side frame (B) and right side frame (C).

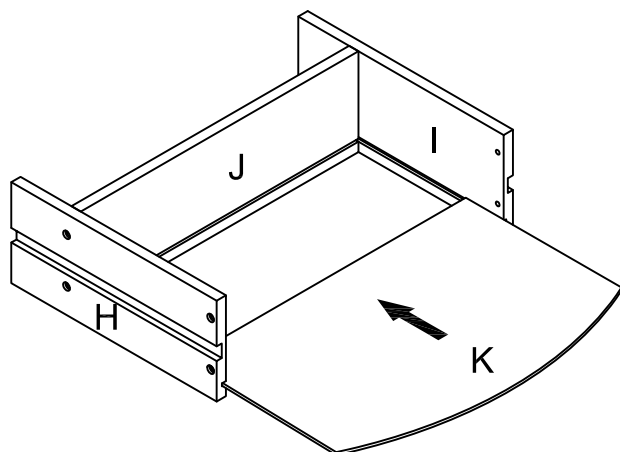


Step 2  
 Attach drawer stopper (8) to middle rail (D) with round head screw (7).



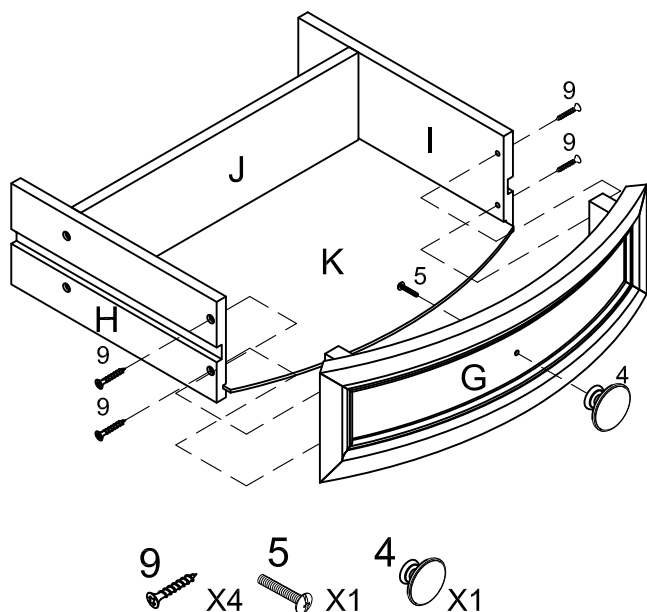
Step 3

Attach drawer back panel (J) to drawer left side frame (H) and drawer right side frame (I) using screw (9).



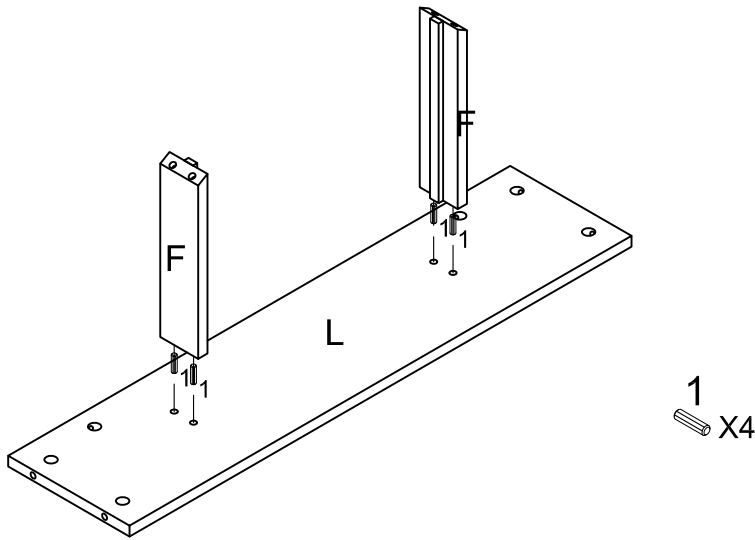
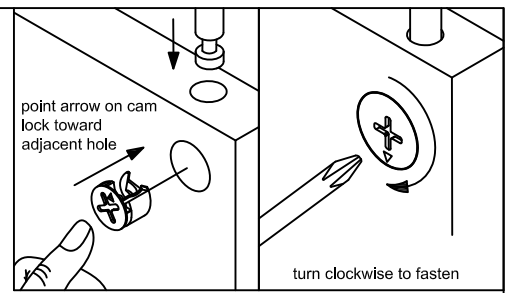
Step 4

Insert drawer bottom panel (K) into drawer left/right side frame (H/I) and drawer back panel (J).



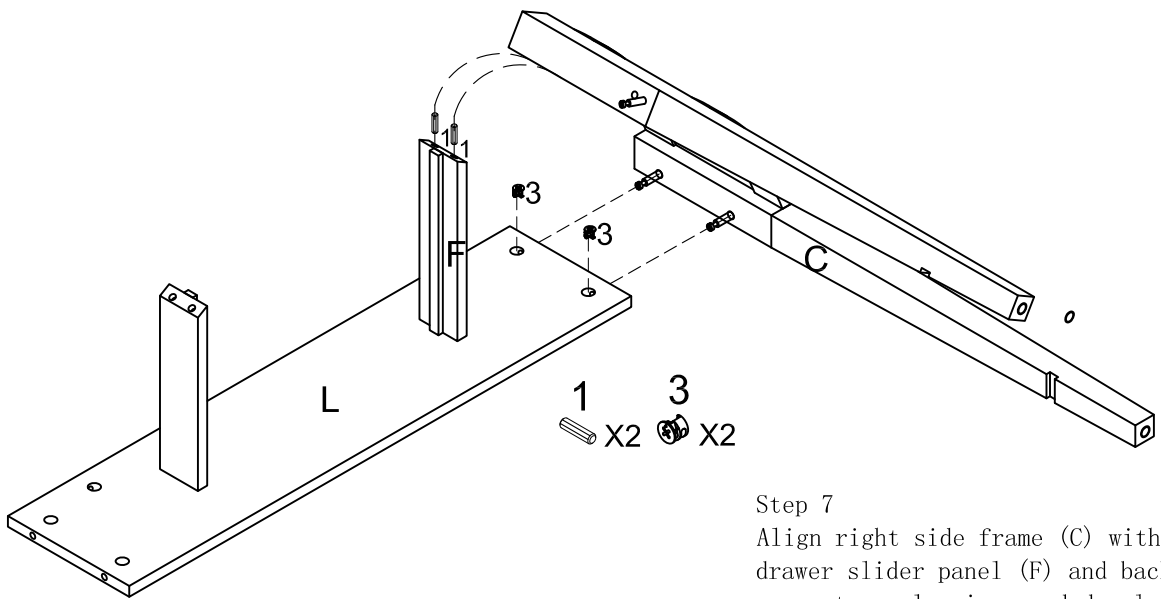
Step 5

Attach drawer front (G) to drawer left/ right side frame (H/I) using screw (9). Attach knob (4) to drawer front (G) using round head bolt (5) to finish drawer assembly.



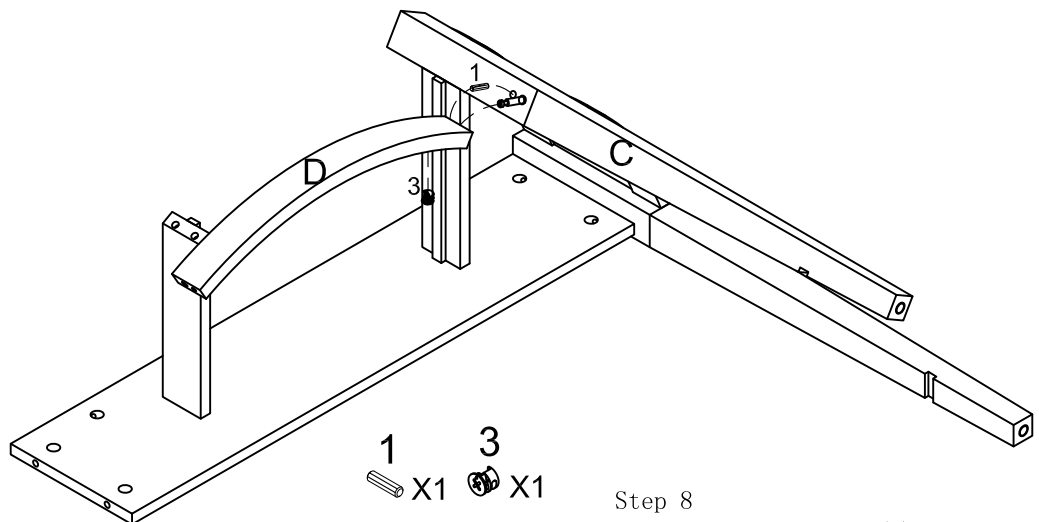
Step 6  
Attach drawer slider panel (F) to back connect panel (L) using wood dowel (1).

1 X4



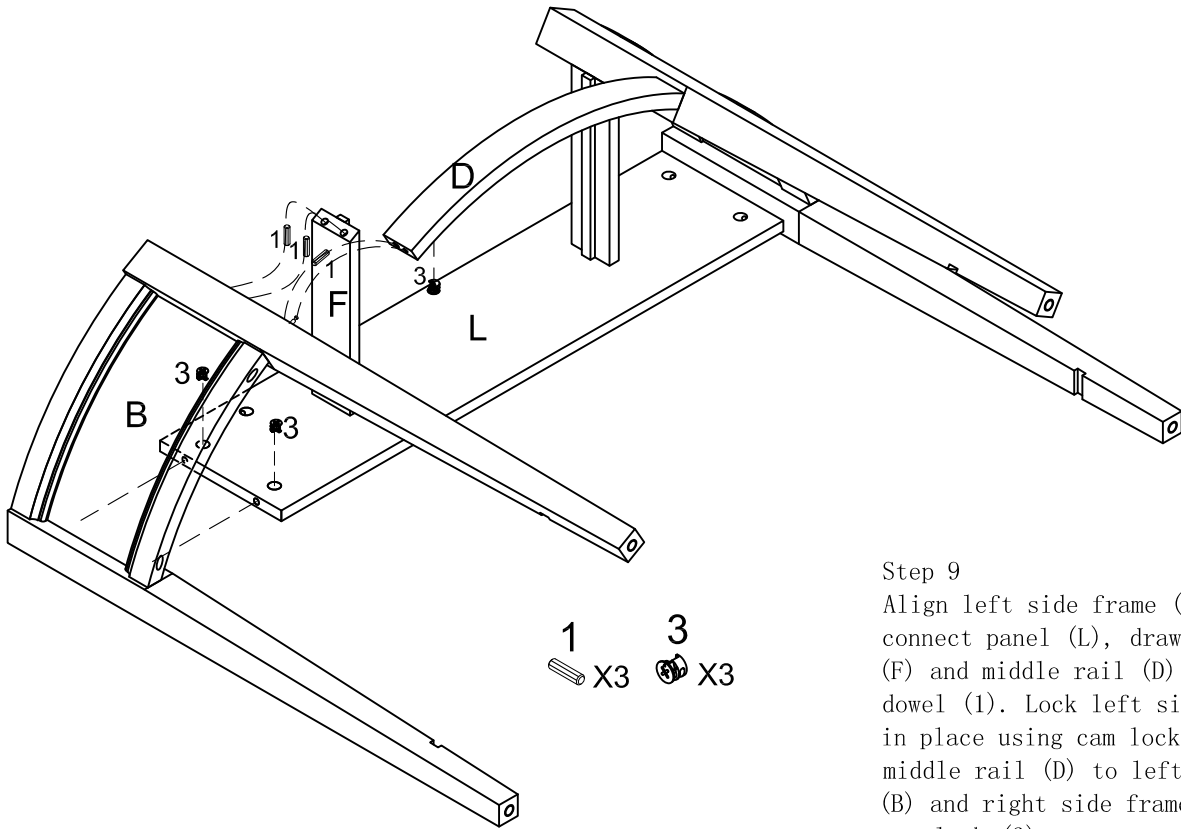
Step 7  
Align right side frame (C) with drawer slider panel (F) and back connect panel using wood dowel (1). Lock assembly together using cam lock (3).

1 X2 3 X2



Step 8  
Connect middle rail (D) to right side frame (C) using wood dowel (1).

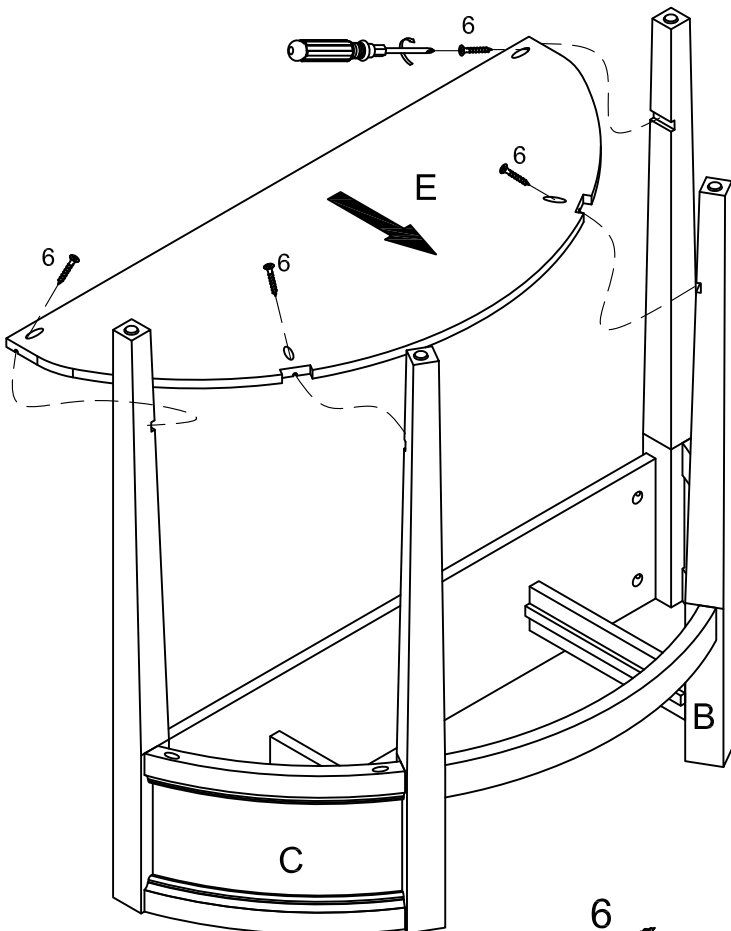
1 X1 3 X1



1 X3      3 X3

Step 9

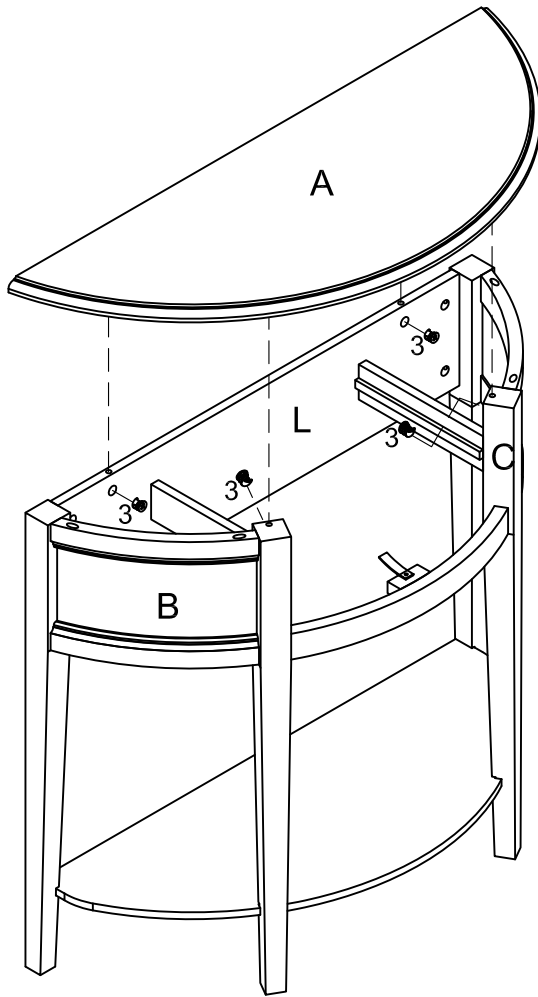
Align left side frame (B) with back connect panel (L), drawer slider (F) and middle rail (D) using wood dowel (1). Lock left side frame (B) in place using cam lock (3). Lock middle rail (D) to left side frame (B) and right side frame (C) using cam lock (3).



6 X4

Step 10

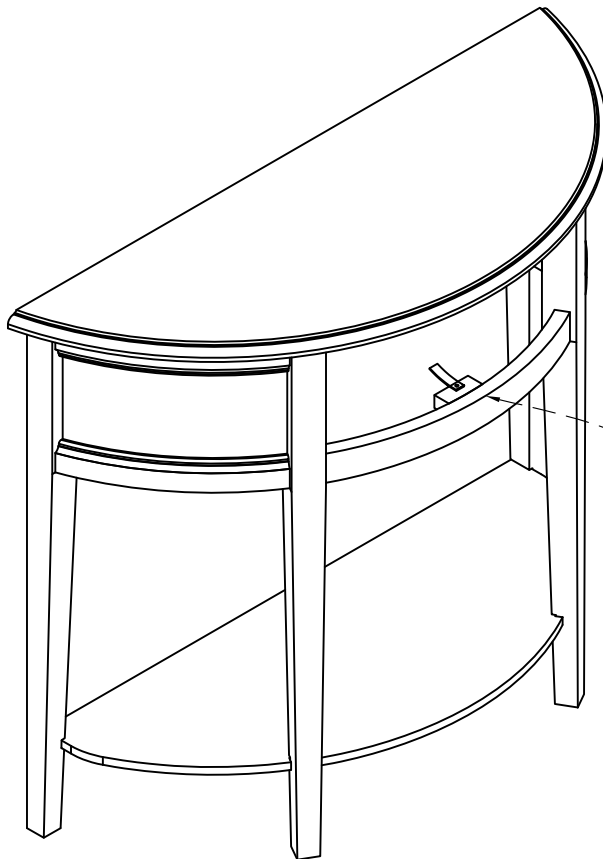
Attach bottom (E) to left side frame (B) and right side frame (C) as shown using screw (6).



Step 11

Attach top panel (A) to back connect panel (L), left side frame (B) and right side frame (C) using cam lock (3).

3  
 X4



Step 12

Double check all cam locks (3) are tight. Insert the drawer to finish the assembly.

