



**8FT X 10FT (2.4m X 3m)  
DOME POP UP SUN SHELTER**



**MODEL:  
BS15020B BS15020R  
BS15020G BS15020W**

Warranty Coverage Requirements:

1. Copy of your Original Store Receipt.
2. Pictures of the damaged parts.
3. You must know the name of your product and any corresponding item numbers as well as the name of the store where you purchased the item.
4. Please gather all of this information BEFORE you call customer service.

**STOP!**

Missing A Part?

No Need To Go Back To The Store!

The store where you made your purchase does not stock parts for this item.

If you need parts, whether they are missing or damaged.

Please e-mail:

[afterservice@sunbaycompany.com](mailto:afterservice@sunbaycompany.com)

or Call Toll Free

TEL: 1-800-730-5292

between 9:00am--4:00pm

Eastern Time Monday through

Friday

## **WARNING:**

- \* Keep all flame and heat sources away from this sun shelter fabric.
- \* This sun shelter is made with fabric that meets CPAI-84 specifications for flame resistance.
- \* It is not fire proof. The fabric will burn if left in continuous contact with any flame source.
- \* The application of any foreign substance to the sun shelter fabric may render the flame-resistant properties ineffective.
- \* This is not a permanent structure. This is a temporary structure, and is not meant to be left up during stormy weather. **A high wind and heavy rain can damage your sun shelter.**
- \* **Please do not leave your sun shelter up during these conditions.**
- \* This item is not valid for commercial or any other non-residential applications.
- \* This warranty does not cover abusive acts of nature, or customer abuse or negligence.
- \* Proof of purchase is required to process any claims. It will be appreciated and helpful if you could send both picture and description of your problem for the claim. This warranty is non-transferable.

**Do you have any questions? Missing small parts or hardware?**

**Please e-mail our Customer Service Department at:**

**[afterservice@sunbaycompany.com](mailto:afterservice@sunbaycompany.com)**

**or Call Toll Free**

**TEL: 1-800-730-5292**

**between 9:00a.m-4:00p.m**

**Eastern Time Monday through Friday**

**Please include the following information in your email:**

- \* **Where item was purchased.**
- \* **Item, model, style, or SKU number listed on instructions or box.**
- \* **Part number, description of the part and quantity needed.**

**This information will help us get the proper part to you faster.**

**MADE IN CHINA**

# ASSEMBLY INSTRUCTIONS

## SPECIAL NOTICE:




- \* Make sure that you lay out and identify all parts listed below in the part list.
- \* It is recommended to open this product with 2 or more people.

## AVISO ESPECIAL:

- \* Asegúrese de que se separe e identifique todos los componentes enumerados a continuación en la lista de piezas.
- \* Se recomienda abrir este producto con 2 o más personas.

## AVIS SPÉCIAL:

- \* Assurez-vous que vous disposez et d'identifier toutes les pièces énumérées ci-dessous dans la liste des pièces.
- \* Il est recommandé d'ouvrir ce produit avec 2 personnes ou plus.

	<b>A</b> 1	 STEEL STAKES	<b>B</b> 8
		 ROPE	<b>C</b> 4



MADE IN CHINA

# ASSEMBLY INSTRUCTIONS

**NOTE:**

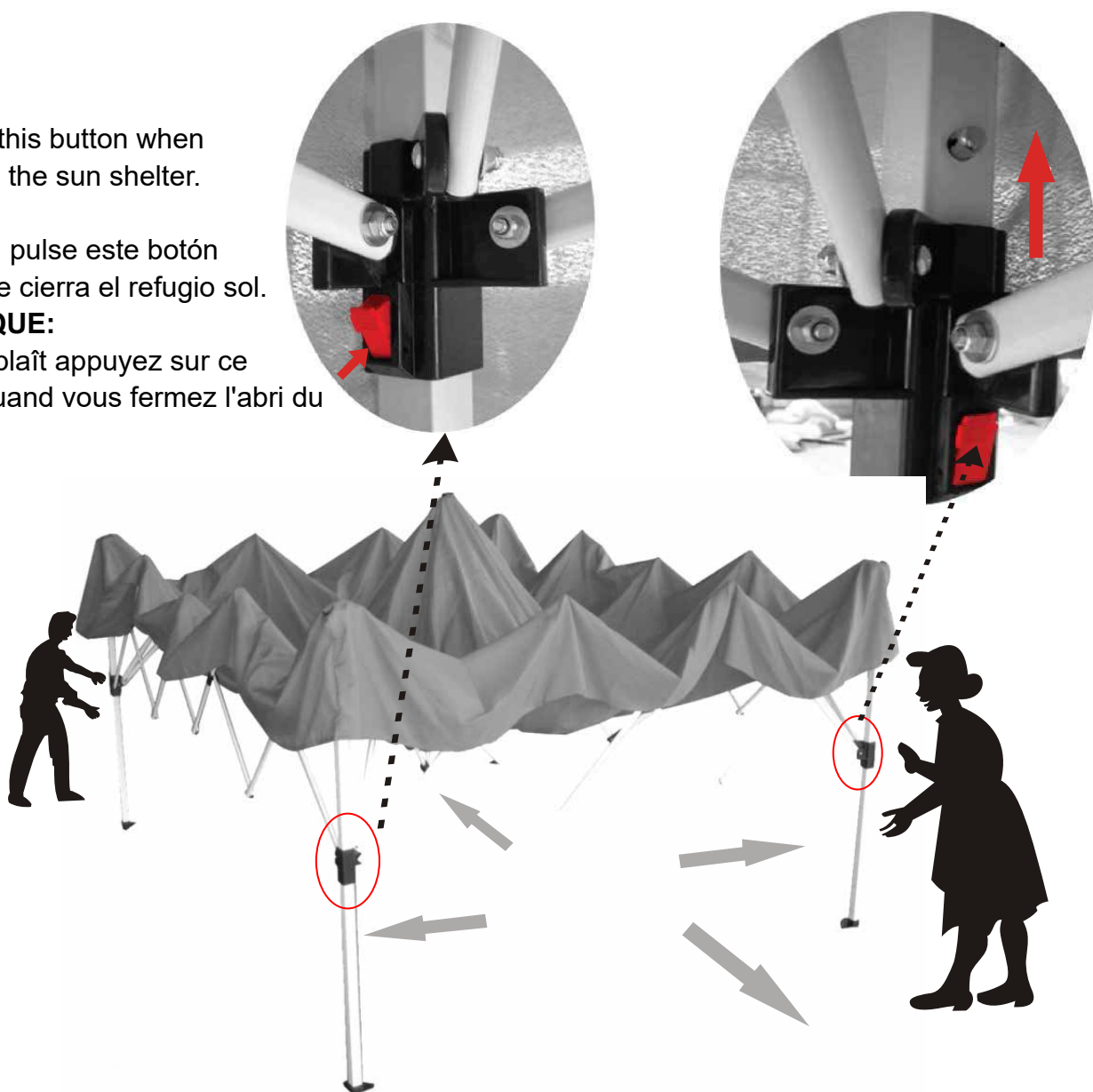
Pls push this button when you close the sun shelter.

**NOTA:**

Por favor, pulse este botón cuando se cierra el refugio sol.

**REMARQUE:**

S'il vous plaît appuyez sur ce bouton quand vous fermez l'abri du soleil.

**Step 1:**

- 1) Easily open the sun shelter in four directions until partially extended.
- 2) Hold the black movable spring buckle on the leg. Slide it up until you hear it lock into place. Do the same for the remaining 3 legs.

**Paso 1:**

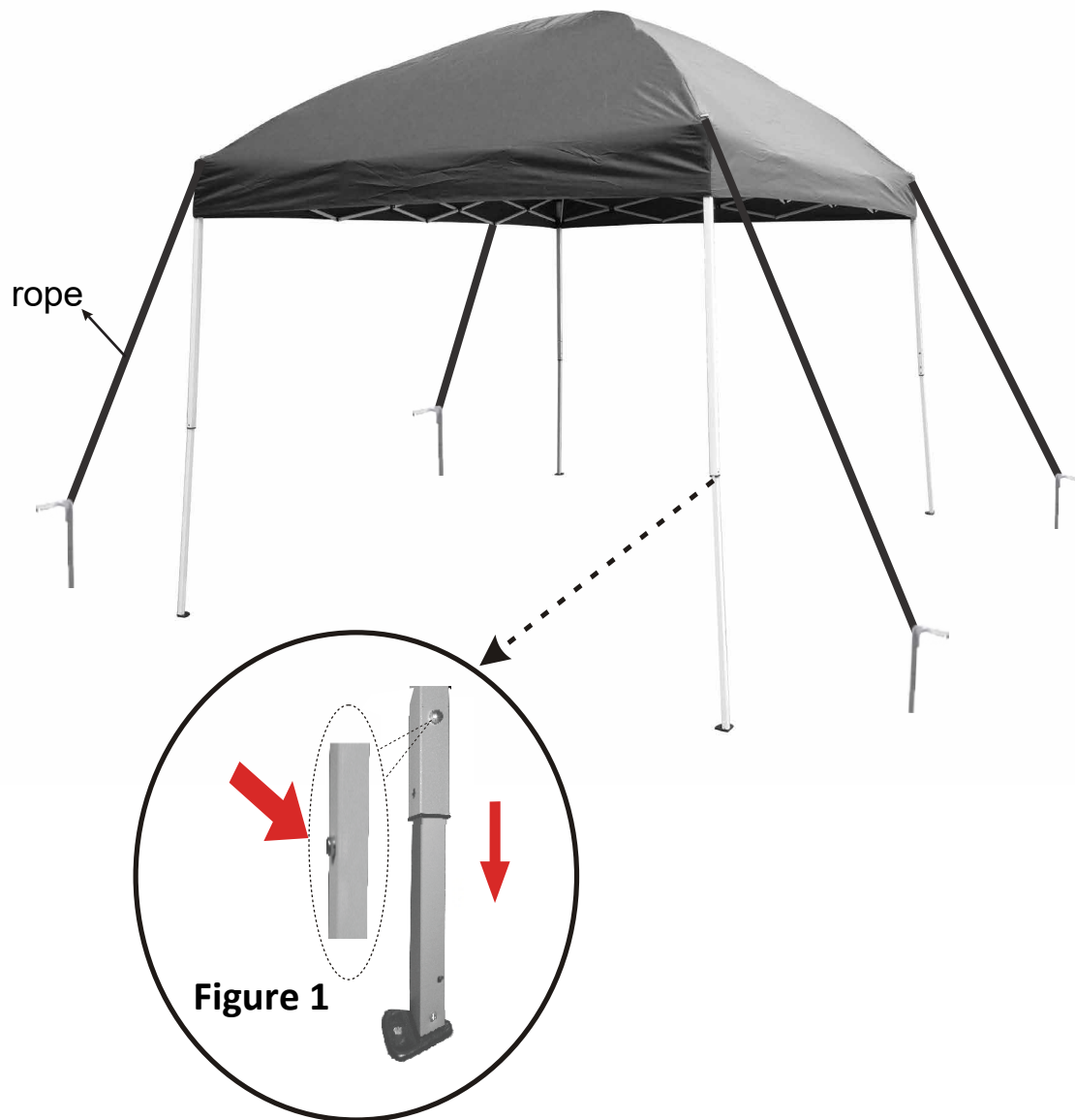
- 1) abrir fácilmente el abrigo del sol en cuatro direcciones hasta que estén parcialmente extendida.
- 2) Mantenga el negro primavera hebilla móvil sobre el leg. Slide hacia arriba hasta que oiga que queda inmovilizado en place. Do el mismo para las 3 patas restantes.

**Étape 1:**

- 1) ouvrir facilement l'abri du soleil dans quatre directions jusqu'à ce que partiellement étendu.
- 2) Tenez le mobile boucle de ressort noir sur le leg. Slide vers le haut jusqu'à ce qu'elle se mette en place. Do la même pour les 3 jambes restantes.

MADE IN CHINA

# ASSEMBLY INSTRUCTIONS



## Step 2:

Step on the black triangular base. Adjust the canopy height by lifting the leg until the leg locks into place, please see **FIGURE 1**. Do the same for the remaining 3 legs.

## Paso 2:

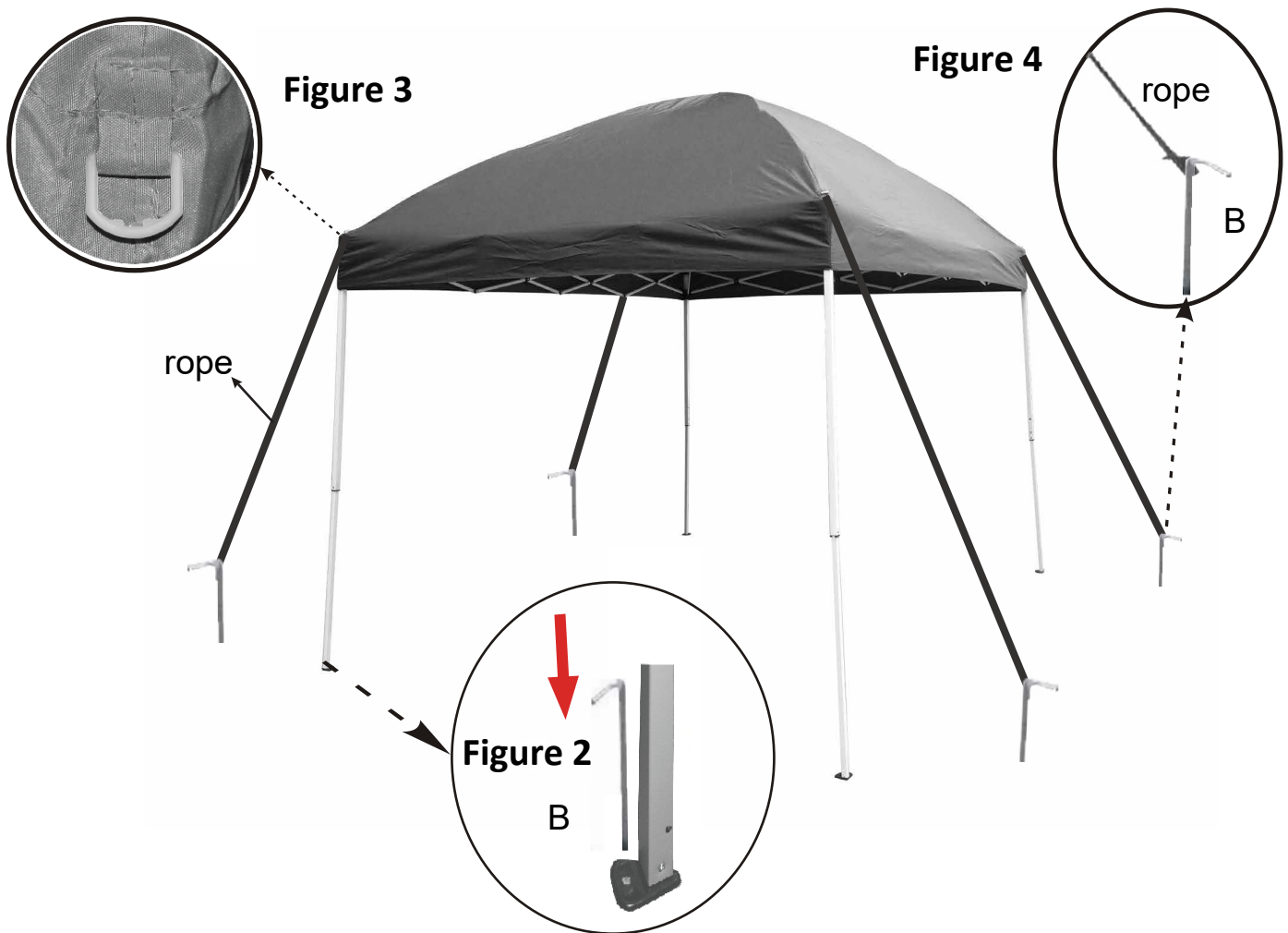
Paso en la parte posterior base. Adjust triangular de la altura de la copa al levantar la pierna hasta que la pierna cerraduras en su lugar, por favor ver **FIGURE 1**. Do el mismo para las 3 patas restantes.

## Étape 2:

Étape sur le dos base. Adjust triangulaire la hauteur de la canopée en soulevant la jambe jusqu'à ce que la jambe se verrouille en place, s'il vous plaît voir **FIGURE 1**. Do même pour les 3 jambes restantes.

MADE IN CHINA

# ASSEMBLY INSTRUCTIONS



## Step 3:

- 1) Insert one steel stake B into a hole on the black plastic base, please see **FIGURE 2**, to secure the canopy to the ground, do the same on other 3 bases.
- 2) Tie rope C to the plastic ring on the corner of the canopy fabric, please see **FIGURE 3**. Tie the other end to the ground stake, please see **FIGURE 4**. Adjust the tension on all 4 ropes for additional support.

## Paso 3:

- 1) Inserte una estaca de acero CAMA en un agujero en la base de plástico negro, por favor, vea la **Figura 2**, para asegurar la cubierta al suelo, hacer lo mismo en las otras 3 bases.
- 2) Lazo de la cuerda C del anillo de plástico en la esquina de la tela del dosel, por favor vea la **FIGURA 3**. Ate el otro extremo de la varilla de tierra, por favor vea la **FIGURA 4**. Ajuste la tensión en los 4 cuerdas para apoyo adicional.

## Étape 3:

- 1) Insérer un acier BED jeu dans un trou sur la base en plastique noir, s'il vous plaît voir la **FIGURE 2**, pour fixer la canopée au sol, faire la même chose sur les 3 autres bases.
- 2) Tie corde C à la bague en plastique sur le coin de la toile de la canopée, s'il vous plaît voir la **FIGURE 3**. Attachez l'autre extrémité du piquet de terre, s'il vous plaît voir **FIGURE 4**. Ajustez la tension sur les 4 cordes pour un soutien supplémentaire.

MADE IN CHINA

