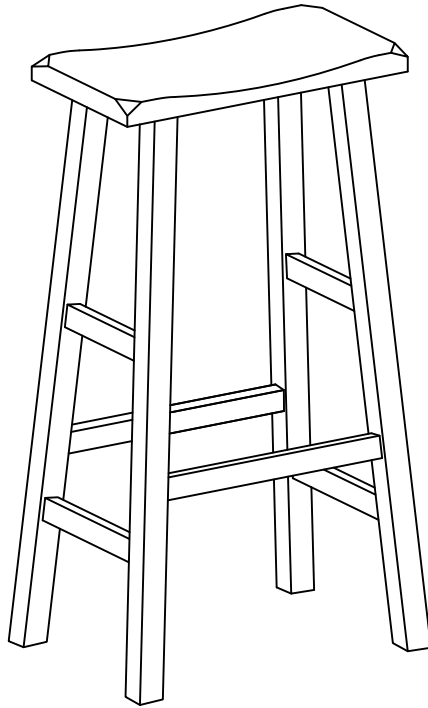


Assembly Instruction

Item No: IDT - 4409-29

SKU No: 810302150

Description: 29 inch Black saddle stool



WARNING

Caution: Adult assembly required. Assembly will require 2 people. Assemble on soft surfaces to prevent damage to the product finish. DO NOT use power tools.

CARE AND CLEANING

DO NOT scratch or chip the finish. DO NOT use abrasive chemicals for cleaning. Clean with mild soap on a soft rag. Rinse and dry thoroughly.

MAINTENANCE

Check bolts/screws periodically and tighten if necessary.

WARNING: Should this product become damaged, and/or components are broken or missing, DO NOT USE.

BIG LOTS CUSTOMER CARE

Tel: 1-866-244-5687

E-mail: talk2us@biglots.com




Assembly Instruction

Item No: IDT - 4409-29

SKU No: 810302150

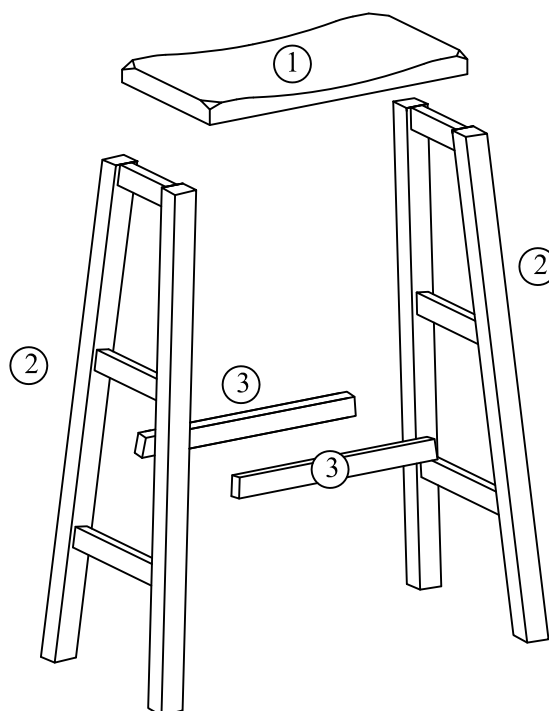
Description: 29 inch Black saddle stool

HARDWARE LIST:

CODE	PICTURE	DESCRIPTION	QTY
A		WRENCH	1
B		BOLT	4
C		SCREW	4

PART LIST:

CODE	DESCRIPTION	QTY
1	SEAT PANEL	1
2	SIDE FRAME	2
3	RAILS	2



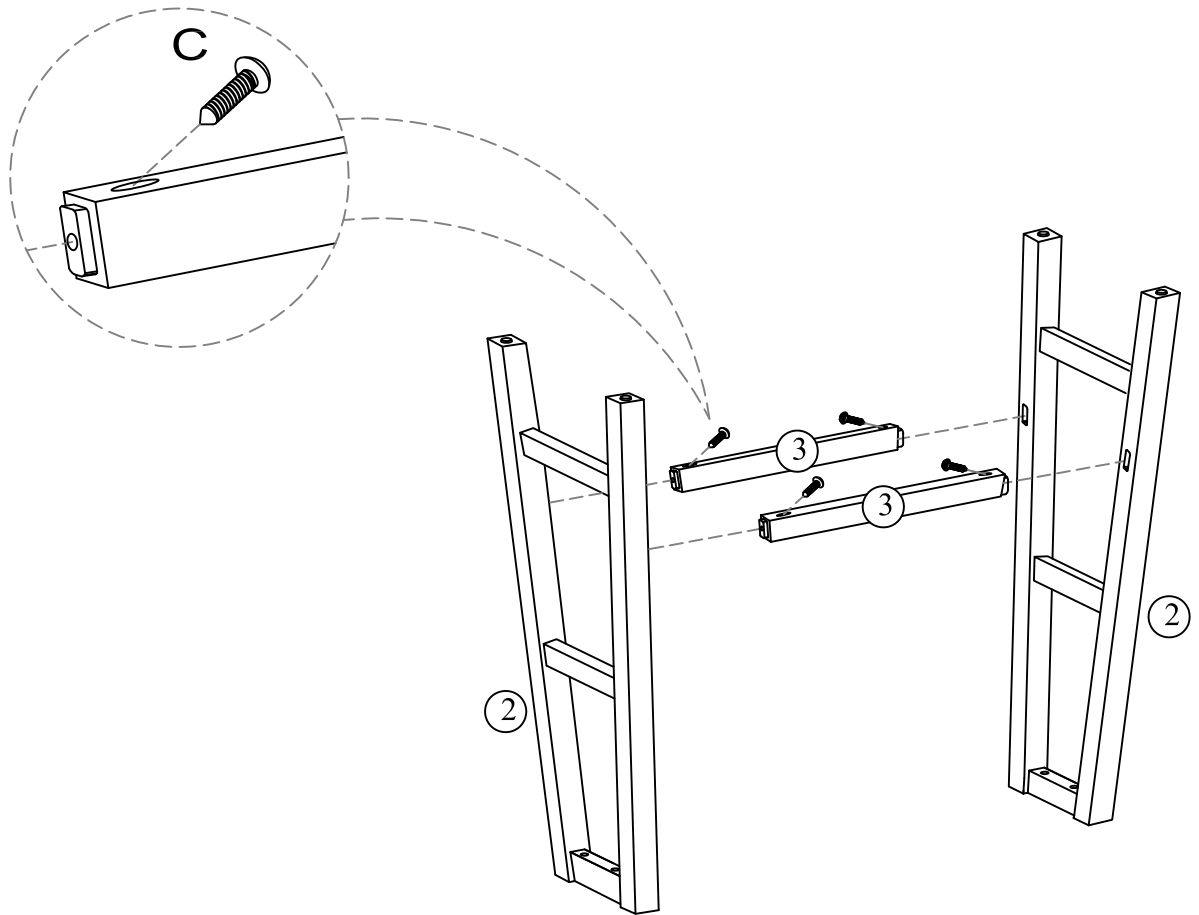
Assembly Instruction

Item No: IDT - 4409-29

SKU No: 810302150

Description: 29 inch Black saddle stool

STEP 1



STEP 2

