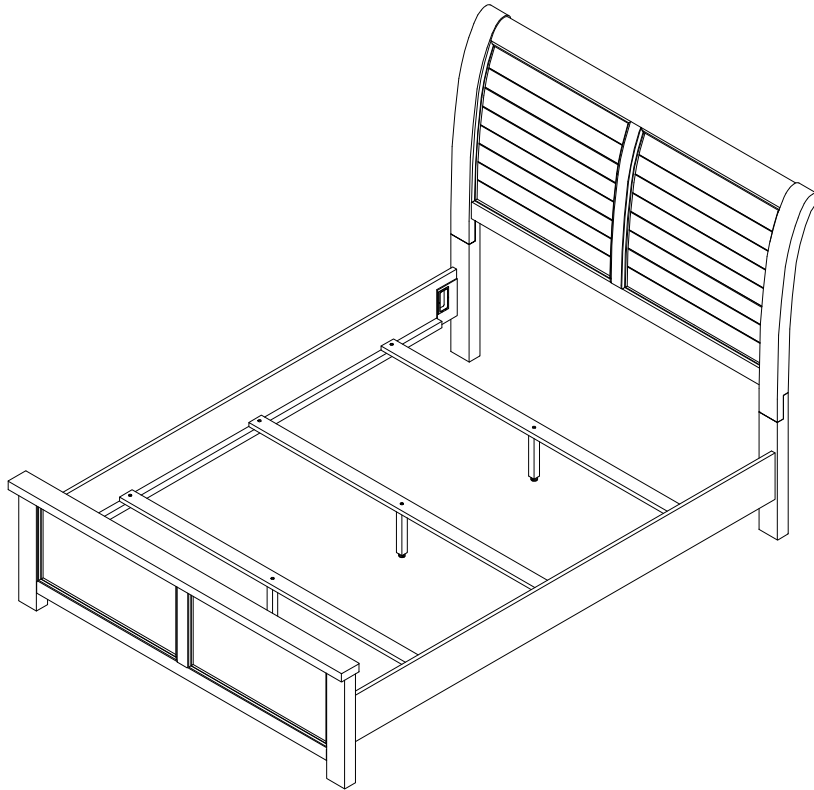


# BIG LOTS STORES, INC.

## ASSEMBLY INSTRUCTIONS



**ITEM NO. : 1513HF/ 1513R**

**SKU NO. : 810308396 / 810308392**

**DESCRIPTION : SIDNEY QUEEN SLEIGH HEADBOARD &  
FOOTBOARD / RAILS & SLATS**

### **BIG LOTS CUSTOMER CARE**

\*For spare screws and bolts, please contact Big Lots Customer Care\*

Tel: 1-866-244-5687

E-Mail: [talk2us@biglots.com](mailto:talk2us@biglots.com)

### **WARNING**

Caution: Adult Assembly required. Assembly will require 2 people.  
Assemble on soft surfaces to prevent damage to the product finish.  
DO NOT use power tools.

### **CARE AND CLEANING**

DO NOT scratch or chip the finish  
DO NOT use abrasive chemicals for cleaning. Clean with mild soap on a soft rag.  
Rinse and dry thoroughly.  
DO NOT put hot objects over 80 degrees Fahrenheit directly on the surface .

### **MAINTENANCE**

Check bolts/screws periodically and tighten if necessary.  
WARNING: Should this product become damaged, and/or components are broken or missing, DO NOT USE.

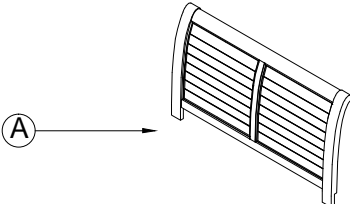
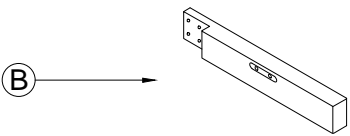
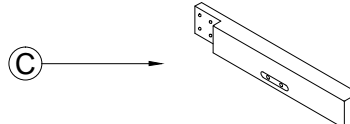
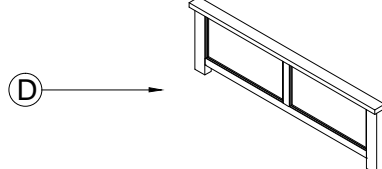
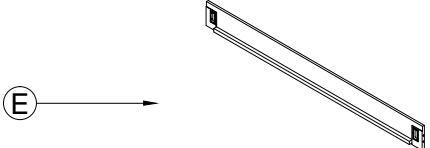
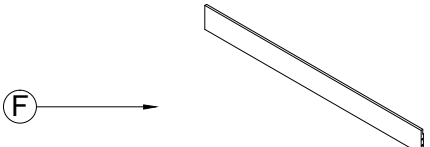
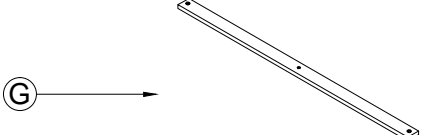
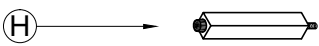
# ASSEMBLY INSTRUCTIONS

Item No. : 1513HF / 1513R

SKU No. : 810308396 / 810308392

DESCRIPTION : **SIDNEY QUEEN SLEIGH HEADBOARD & FOOTBOARD / RAILS & SLATS**

## WOOD PART LIST

 A line drawing of a sleigh headboard panel, showing a curved top and a central panel with vertical slats. A circled letter 'A' is to the left of the panel with an arrow pointing to it.	Sleigh headboard panel x 1 pc
 A line drawing of a rectangular wooden leg for the right headboard. A circled letter 'B' is to the left of the leg with an arrow pointing to it.	Right headboard bottom leg x 1 pc
 A line drawing of a rectangular wooden leg for the left headboard. A circled letter 'C' is to the left of the leg with an arrow pointing to it.	Left headboard bottom leg x 1 pc
 A line drawing of a footboard panel, showing a rectangular frame with a central panel and vertical slats. A circled letter 'D' is to the left of the panel with an arrow pointing to it.	Footboard panel x 1 pc
 A line drawing of a long, narrow wooden rail for the right side of the bed. A circled letter 'E' is to the left of the rail with an arrow pointing to it.	Right rail x 1 pc
 A line drawing of a long, narrow wooden rail for the left side of the bed. A circled letter 'F' is to the left of the rail with an arrow pointing to it.	Left rail x 1 pc
 A line drawing of a long, narrow wooden slat. A circled letter 'G' is to the left of the slat with an arrow pointing to it.	Slat x 3 pcs
 A line drawing of a cylindrical wooden slat support. A circled letter 'H' is to the left of the support with an arrow pointing to it.	Slat support x 3 pcs




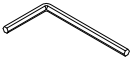
# ASSEMBLY INSTRUCTIONS

Item No. : 1513HF / 1513R

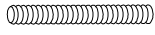



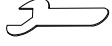
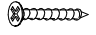
SKU No. : 810308396 / 810308392

DESCRIPTION : **SIDNEY QUEEN SLEIGH HEADBOARD & FOOTBOARD / RAILS & SLATS**

## HARDWARE LIST (For inside Headboard & Footboard)

①	Thread Bolts Ø1/4" x 45mm		8 pcs
②	Lock Washer Ø1/4"		8 pcs
③	Flat Washer Ø1/4"x Ø19mmx2mm		8 pcs
④	Allen Key (D4mm)		1 pc

## HARDWARE LIST ( For inside Rail)

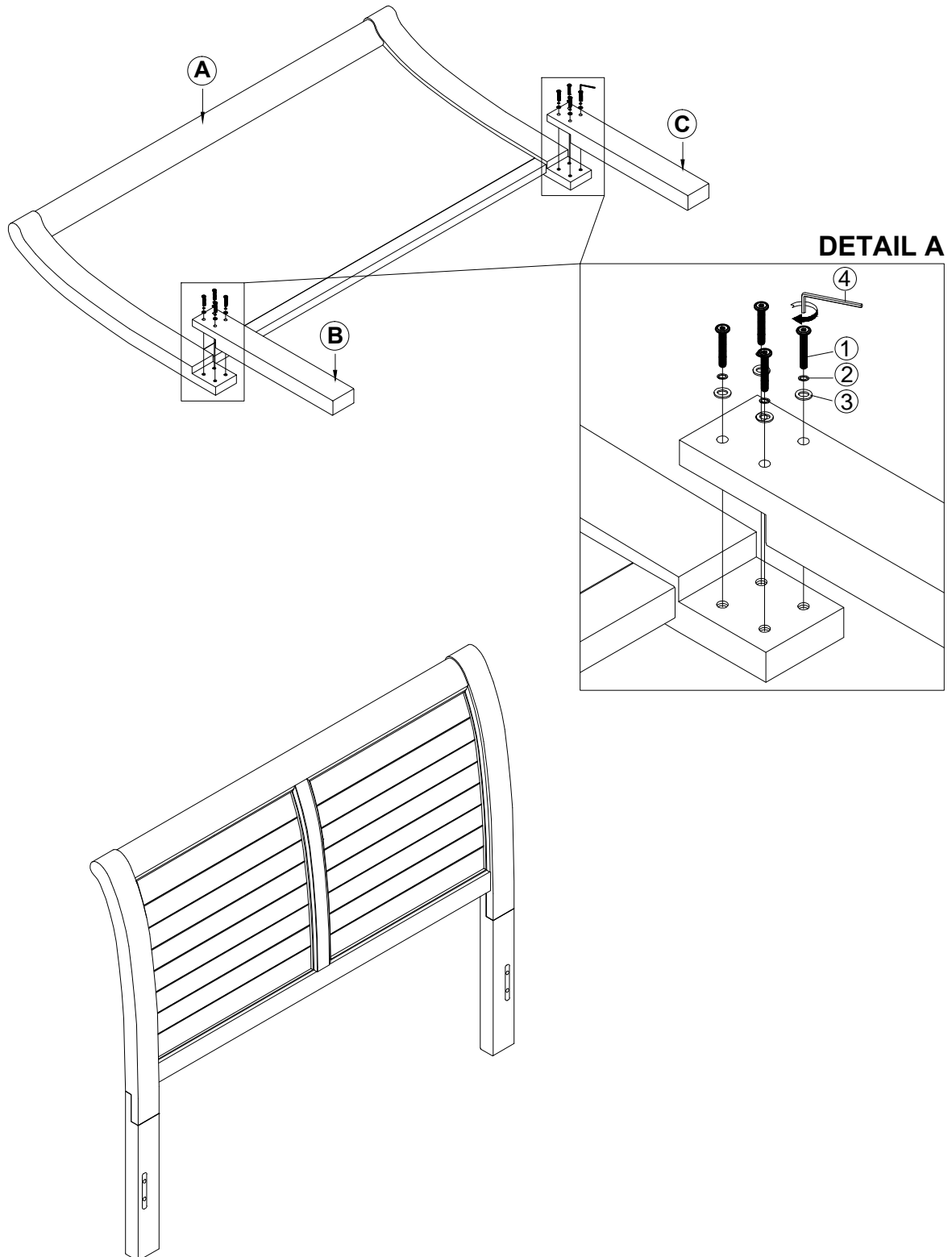
⑤	Thread Bolts Ø5/16 " x L3"-1/2"		8 pcs
⑥	Hexagonal Nut Ø5/16"		8 pcs
⑦	Lock Washer Ø5/16" x 14 x 1mm		8 pcs
⑧	Flat Washer Ø5/16"x Ø14 x 1mm		8 pcs
⑨	Wrench Ø5/16"		1 pc
⑩	Wood Screw Ø8 x L32mm		6 pcs

# ASSEMBLY INSTRUCTIONS

Item No. : 1513HF / 1513R

SKU No. : 810308396 / 810308392

DESCRIPTION : **SIDNEY QUEEN SLEIGH HEADBOARD & FOOTBOARD / RAILS & SLATS**



# ASSEMBLY INSTRUCTIONS

Item No. : 1513HF / 1513R

SKU No. : 810308396 / 810308392

DESCRIPTION : **SIDNEY QUEEN SLEIGH HEADBOARD & FOOTBOARD / RAILS & SLATS**

