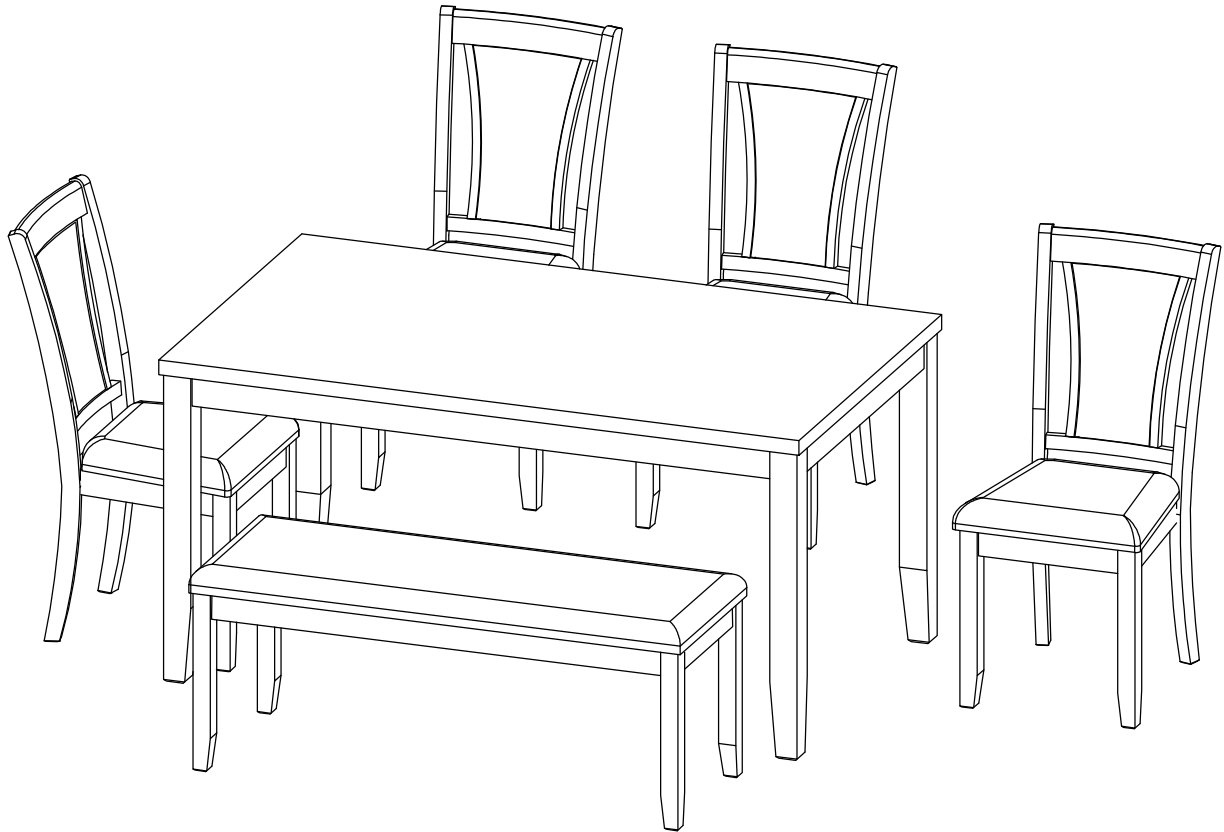


# BIG LOTS

## ASSEMBLY INSTRUCTIONS



### **HARLOW 6PCS DINING SET**

**ITEM NO. 15100-6PK**

**SKU NO. 810321491**

Big Lots Customer Care

Phone # : 1-866-BIGLOTS(1-866-244-5687)

Email Add : Talk2Us@BigLots.com

'For spare screw and bolts, please contact big lots customer care'

# GENERAL INFORMATION, TIPS & TRICKS

1. Please read the assembly instructions prior to assembling this product.
2. To avoid damages, assemble this product on a non-abrasive surface such as carpet.
3. Make sure all bolts and nuts are tightly fastened before the product is used.
4. Not for commercial use.
5. Care: Wipe with a damp cloth. Use furniture polish or lemon oil on the wood as needed. Avoid prolonged exposure to moisture.

---

Please make sure you have all parts before beginning assembly. Please wait until all steps are completed before tightening bolts. We recommend two people to assemble.

---

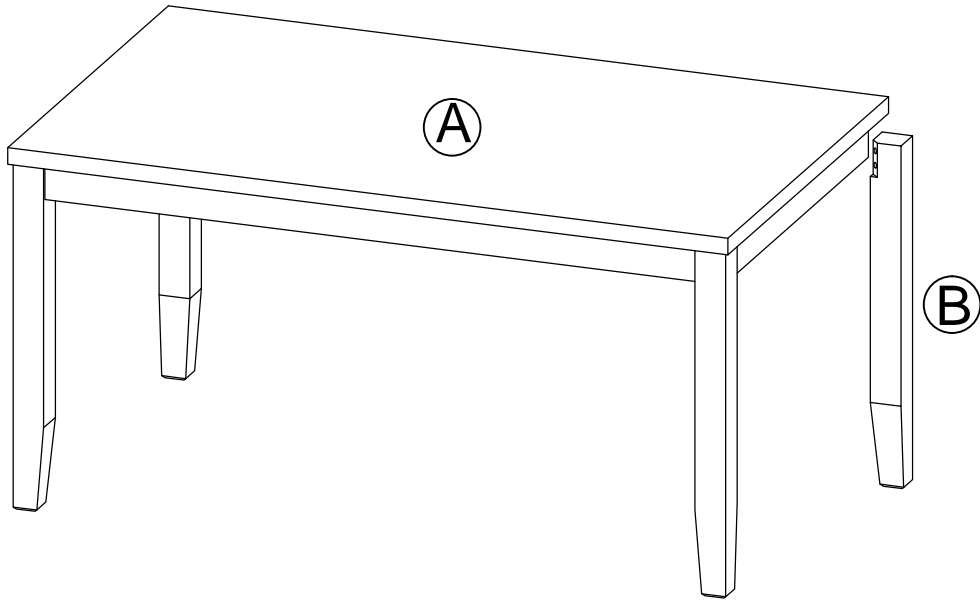


A phillips head screwdriver is necessary for assembly.

---




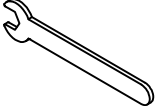
Do not put hot pot or objects which are more than 80 degrees Fahrenheit directly on the table surface.

# TABLE PART LIST







- A. TABLE TOP 1 PC
- B. TABLE LEG 4 PCS

# TABLE HARDWARE LIST

1. FLAT WASHER	2. SPRING WASHER	3. BOLT	4. OPEN WRENCH
			
SIZE: 5/16" DIA	SIZE: 5/16" DIA	SIZE: 5/16" x 3"	SIZE: #12mm
QTY: 8 PCS	QTY: 8 PCS	QTY: 8 PCS	QTY: 1 PC

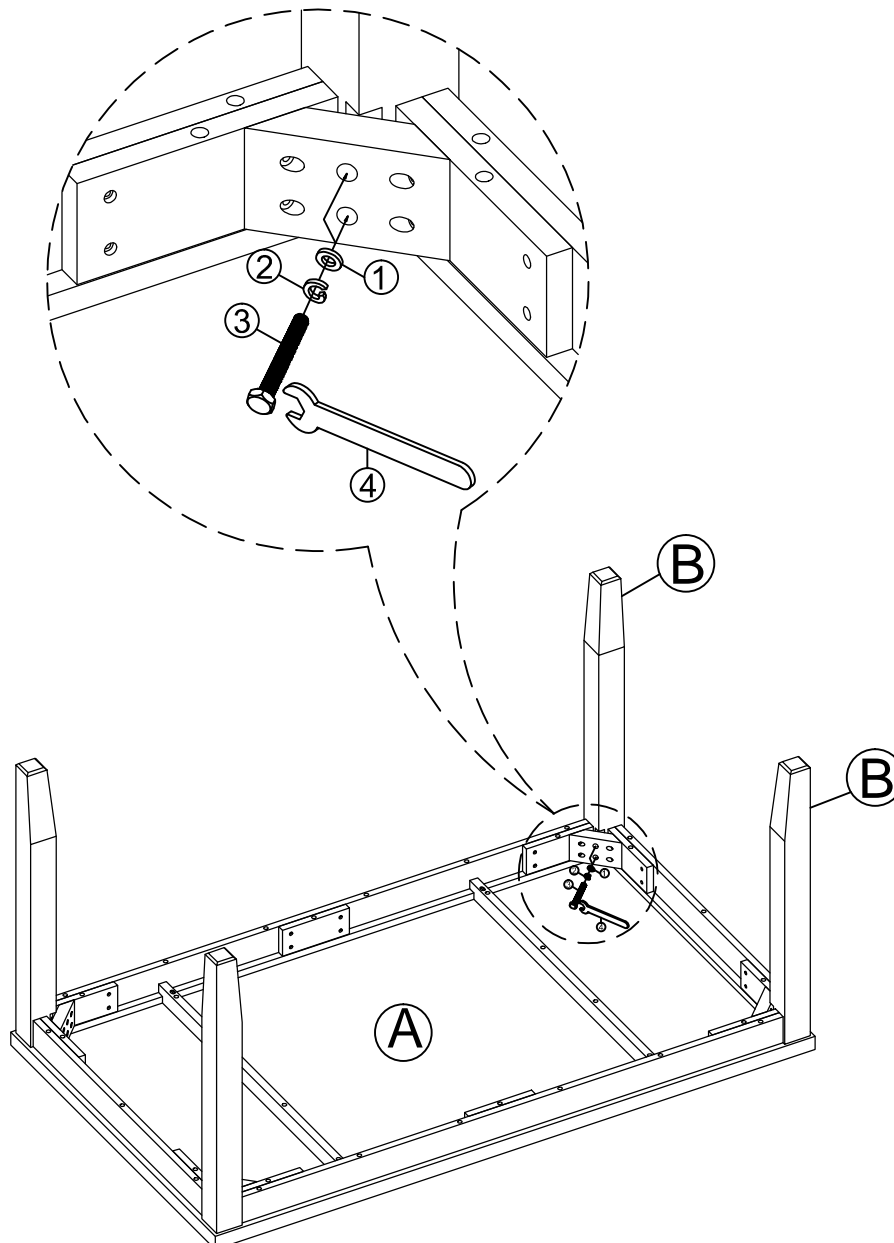
# TABLE ASSEMBLY INSTRUCTIONS

DIAGRAM #1

REQUIRED HARDWARE IN THIS STEP			
NO	DESCRIPTION	SKETCH	QTY
1	FLAT WASHER		8 PCS
2	SPRING WASHER		8 PCS
3	BOLT		8 PCS
4	OPEN WRENCH		1 PC

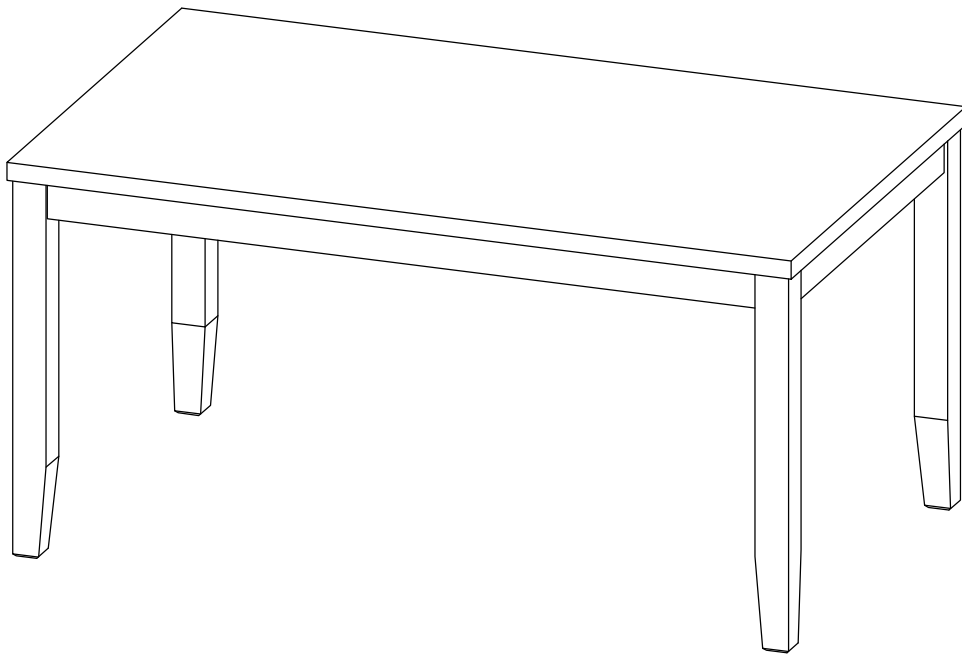
1. Place table top (A) upside down on a non-abrasive surface such as carpet (underside of tabletop should be facing up).

2. Attach the legs (B) to the apron of table top (A) using 8 flat washers (1), 8 spring washers (2), and 8 bolts (3) as shown.



# TABLE ASSEMBLY INSTRUCTIONS

## DIAGRAM #2

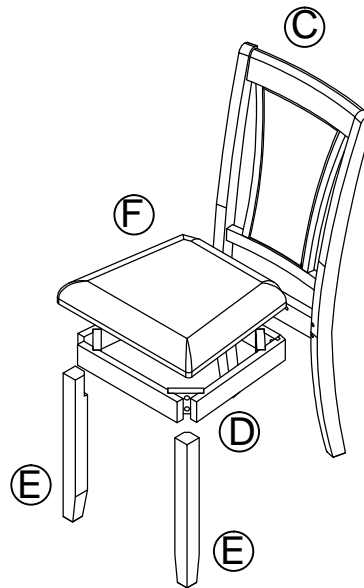


3. With assistance, carefully turn the table upright. Ensure the table is level and tighten all bolts (3) using the open wrench (4).






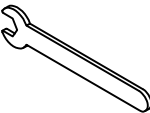

The Table is now ready for use

# CHAIR PART LIST

- C. CHAIR BACK 4 PCS
- D. SEAT FRAME 4 PCS
- E. FRONT LEG 8 PCS
- F. CUSHION 4 PCS




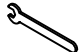


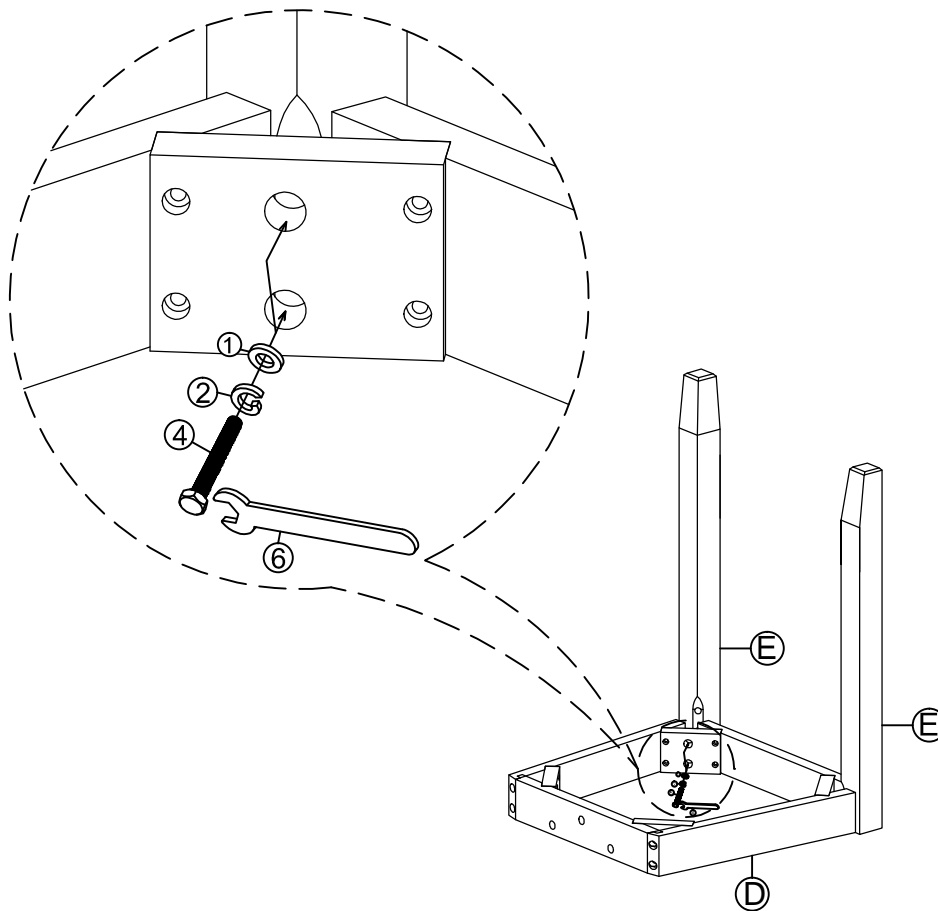
## CHAIR HARDWARE LIST

1. FLAT WASHER	2. SPRING WASHER	3. BOLT	4. BOLT
			
SIZE: 5/16" DIA	SIZE: 5/16" DIA	SIZE: 1/4" x 1-3/4"L	SIZE: 1/4" x 2-5/9"L
QTY: 44 PCS	QTY: 44 PCS	QTY: 12 PCS	QTY: 16 PCS
5. BOLT	6. OPEN WRENCH	7. WOOD SCREW	
			
SIZE: 1/4" x 3-3/8"L	SIZE: #12mm	SIZE: 4 x 38	
QTY: 16 PCS	QTY: 1 PC	QTY: 24 PCS	

# CHAIR ASSEMBLY INSTRUCTIONS

DIAGRAM #3

REQUIRED HARDWARE IN THIS STEP			
NO	DESCRIPTION	SKETCH	QTY
1	FLAT WASHER		4 PCS
2	SPRING WASHER		4 PCS
4	BOLT		4 PCS
6	OPEN WRENCH		1 PC





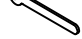


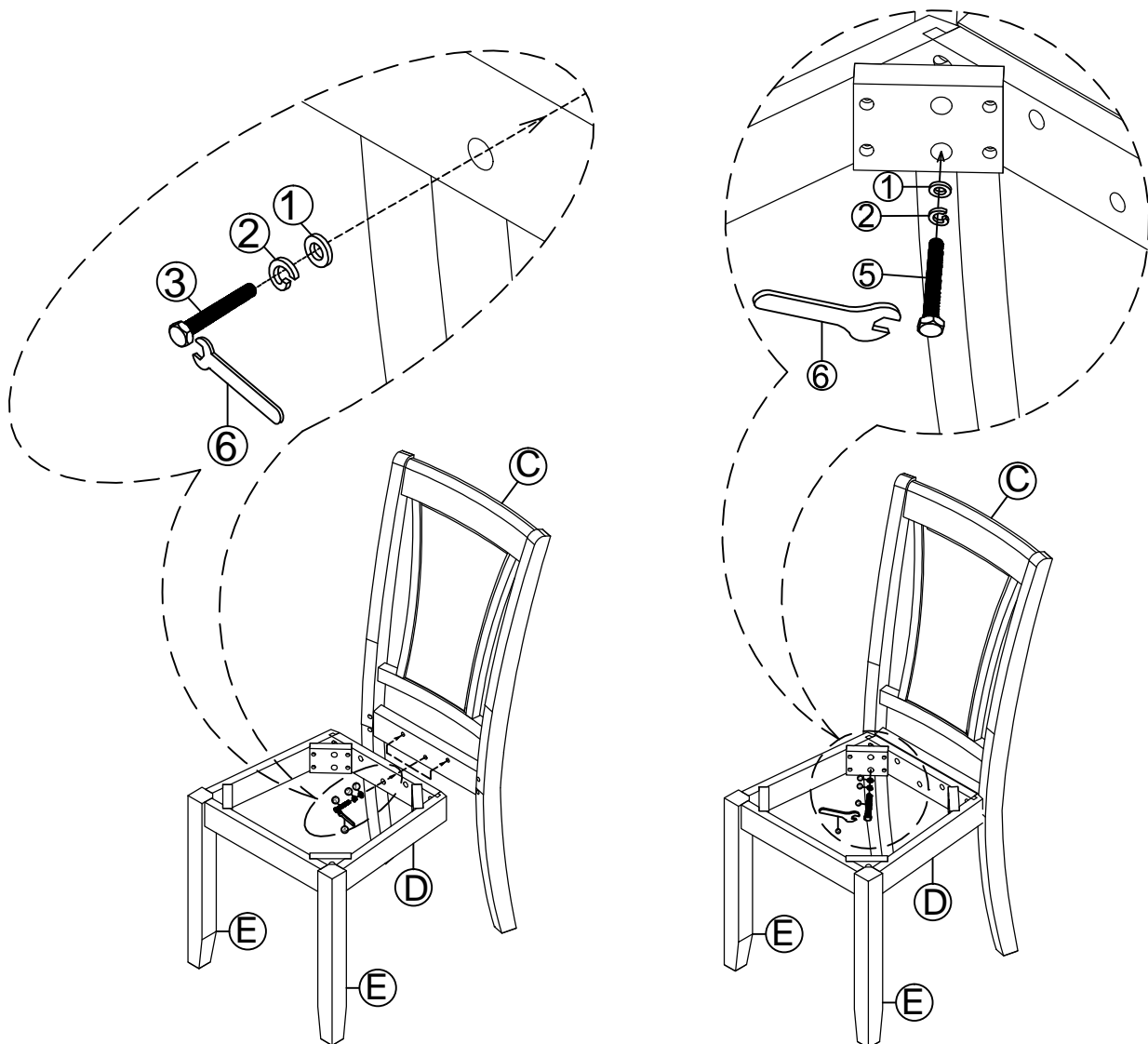
1. Attach 2 front legs (E) to seat frame (D) using 4 bolt (4), 4 spring washers (2) and 4 flat washers (1) as shown.

**Note.** The seat frame (D) has two screw holes on each side which are used to attach the cushion (F) to the seat frame (D). The holes are wider on the bottom side of the seat frame (D) and should be facing up when attaching the front legs (E).

# CHAIR ASSEMBLY INSTRUCTIONS

DIAGRAM #4

REQUIRED HARDWARE IN THIS STEP			
NO	DESCRIPTION	SKETCH	QTY
1	FLAT WASHER		7 PCS
2	SPRING WASHER		7 PCS
3	BOLT		3 PCS
5	BOLT		4 PCS
6	OPEN WRENCH		1 PC




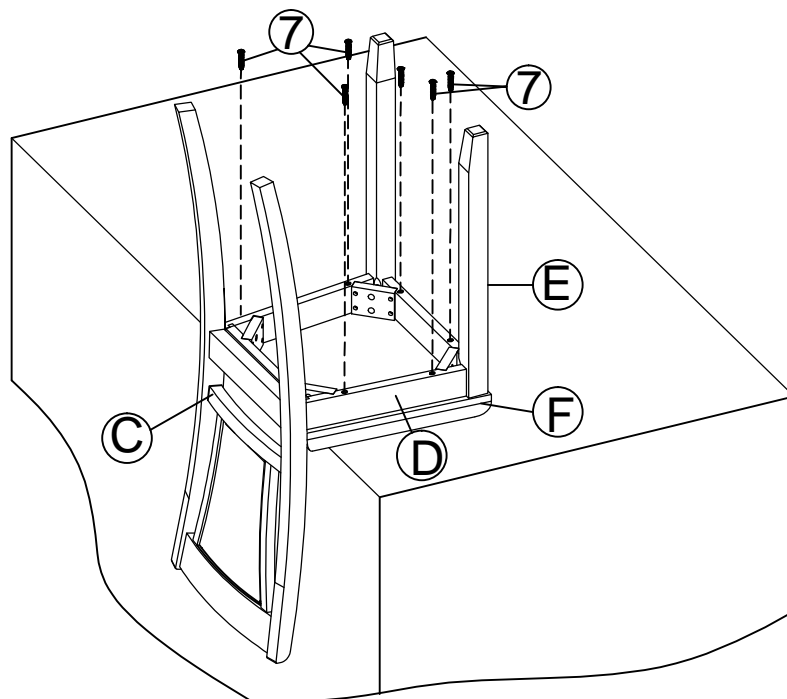
2. Attach the seat frame (D) to the chair back (C) using 3 short bolts (3), 4 bolts (5), 7 spring washers (2) and 7 flat washers (1) as shown. Do not fully tighten.
3. Turn the chair upright. Make sure the assembled chair unit is level and square. Tightly fasten all bolts (3 & 5) with the open wrench (6).



# CHAIR ASSEMBLY INSTRUCTIONS

DIAGRAM #5

REQUIRED HARDWARE IN THIS STEP			
NO	DESCRIPTION	SKETCH	QTY
7	WOOD SCREW		6 PCS



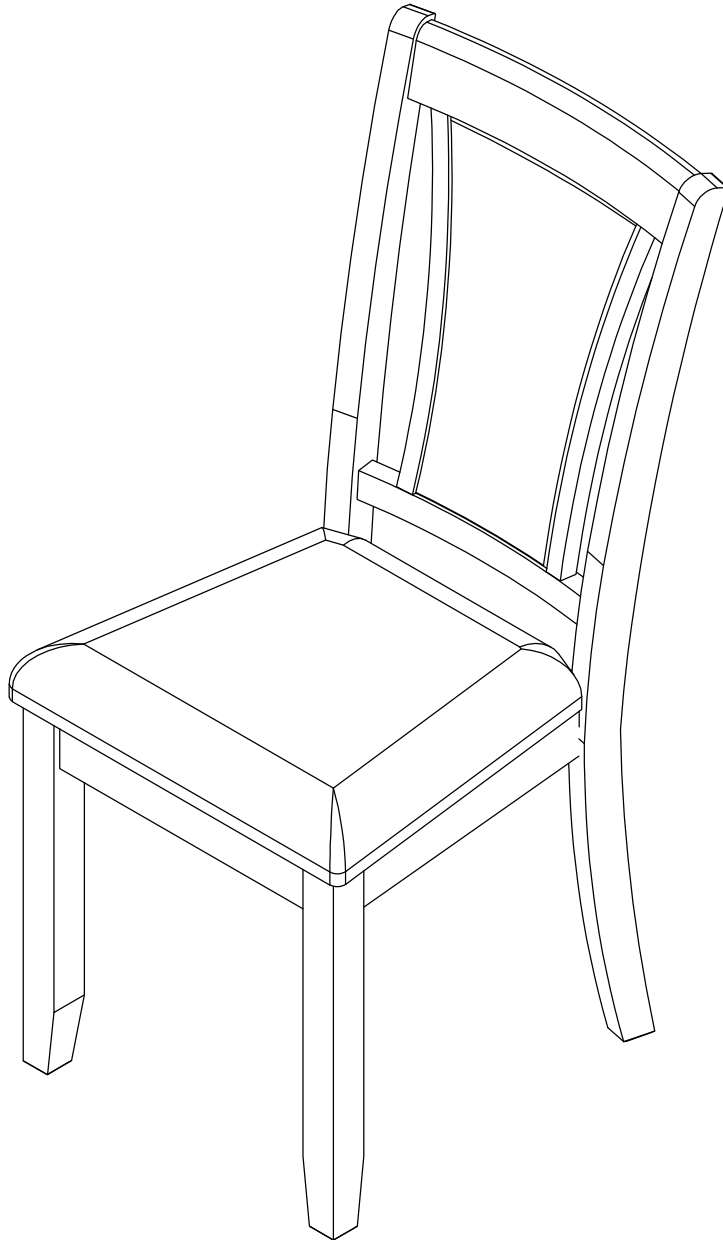
4. Place cushion (F) upside down on a non-abrasive table surface. The rear (tapered end) of the cushion (F) should be near the table edge.

Hint: Protect the non-abrasive table surface and cushion (F) by placing a towel between the table and cushion.

5. Place the assembled chair frame on the cushion (F) as shown. Make sure the cushion (F) is centered and tight against the chair frame. Attach the cushion (F) to the chair frame using 6 wood screws (7). Fully tighten all screws.

# CHAIR ASSEMBLY INSTRUCTIONS

DIAGRAM #6

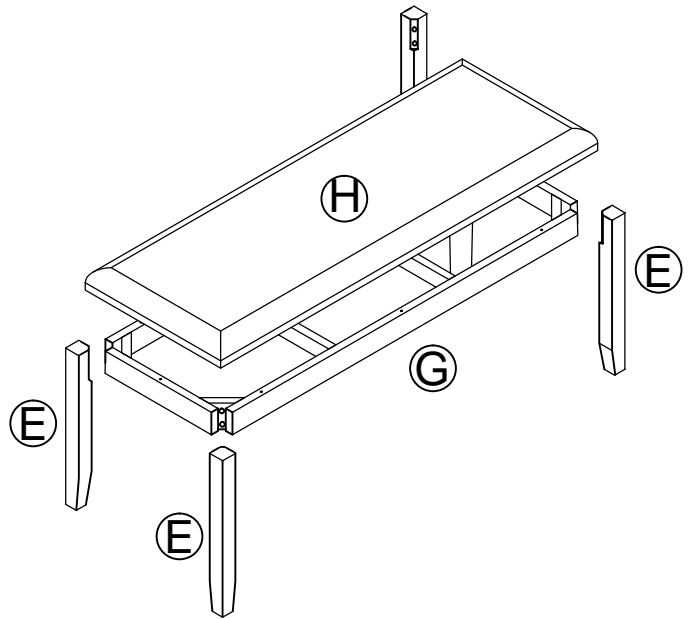


The dining chair is now ready for use.




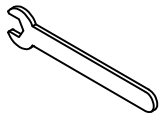

6. Repeat diagram #3 to #6 to assemble the other chairs.

# BENCH PART LIST

- G. SEAT FRAME 1 PC
- E. FRONT LEG 4 PCS
- H. CUSHION 1 PC





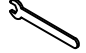


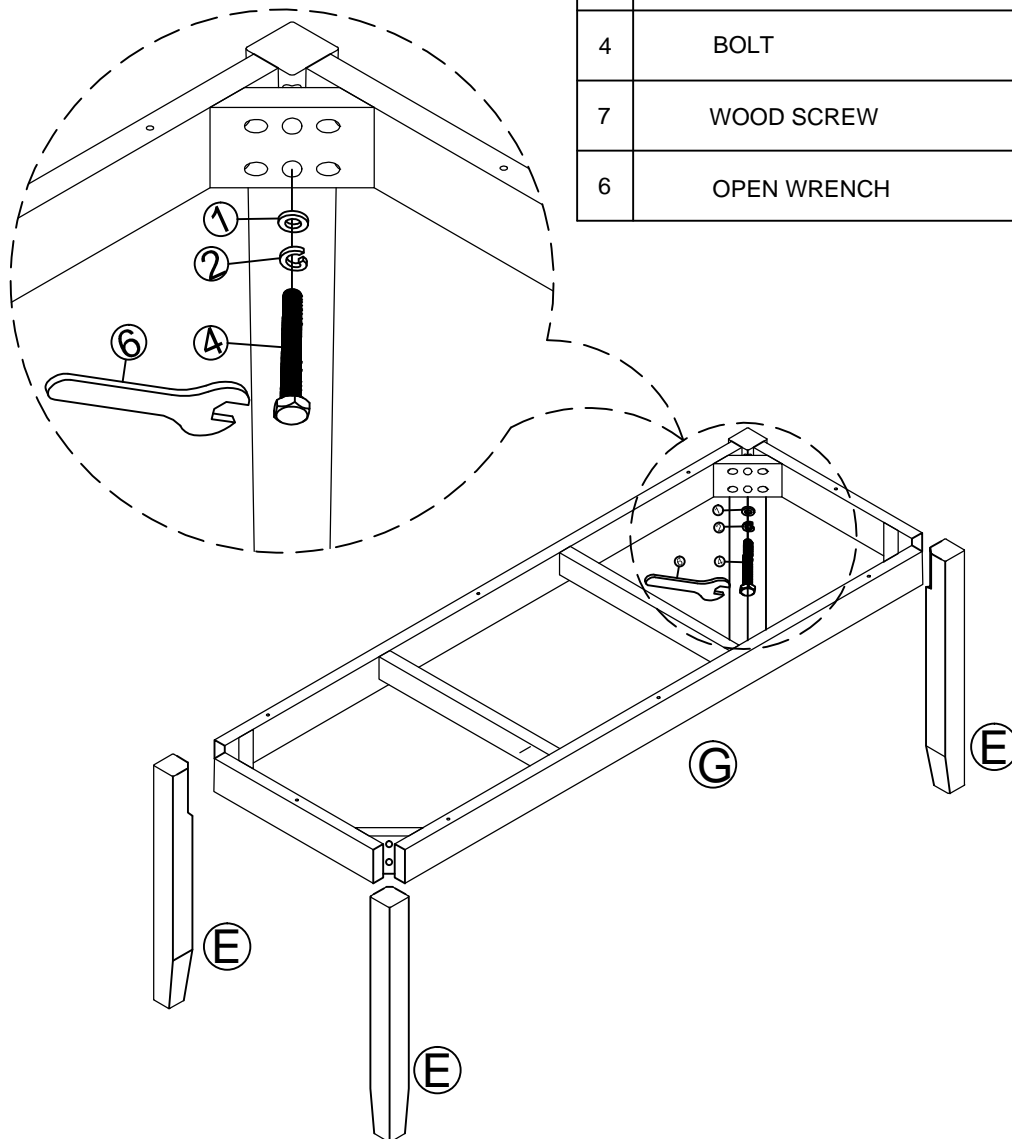
## BENCH HARDWARE LIST

1. FLAT WASHER	2. SPRING WASHER	3. BOLT	4. OPEN WRENCH
			
SIZE: 5/16" DIA	SIZE: 5/16" DIA	SIZE: 1/4" x 2-5/9"L	SIZE: #12mm
QTY: 8 PCS	QTY: 8 PCS	QTY: 8 PCS	QTY: 1 PC
5. WOOD SCREW			
			
SIZE: 4 x 38			
QTY: 8 PCS			

# BENCH ASSEMBLY INSTRUCTIONS

DIAGRAM #7

REQUIRED HARDWARE IN THIS STEP			
NO	DESCRIPTION	SKETCH	QTY
1	FLAT WASHER		8 PCS
2	SPRING WASHER		8 PCS
4	BOLT		8 PCS
7	WOOD SCREW		8 PCS
6	OPEN WRENCH		1 PC




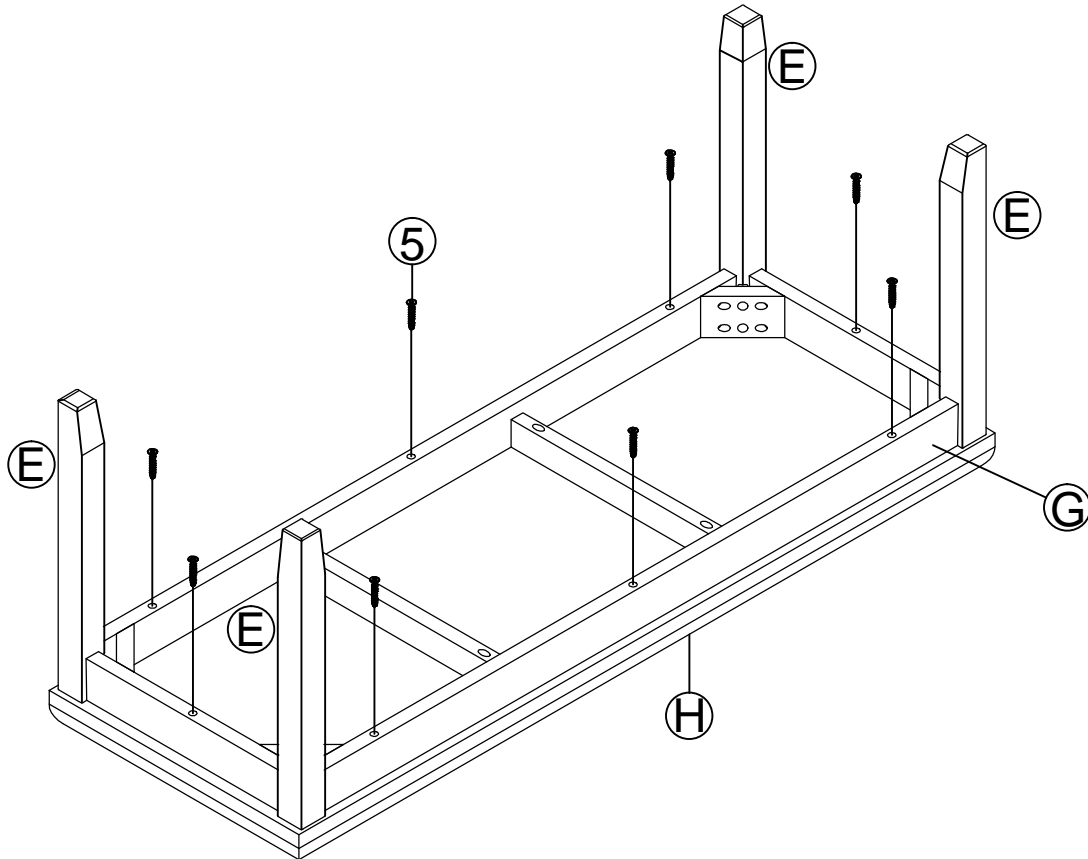
1. Attach 4 front legs (E) to seat frame (G) using 8 bolt (4), 8 spring washers (2) and 8 flat washers (1) as shown.

**Note.** The seat frame (G) has eight screw holes, which are used to attach the seat. These holes are wider on the bottom and narrower on the top. Ensure the wider holes are facing towards the bottom of the bench.

# BENCH ASSEMBLY INSTRUCTIONS

DIAGRAM #8

REQUIRED HARDWARE IN THIS STEP			
NO	DESCRIPTION	SKETCH	QTY
7	WOOD SCREW		8 PCS



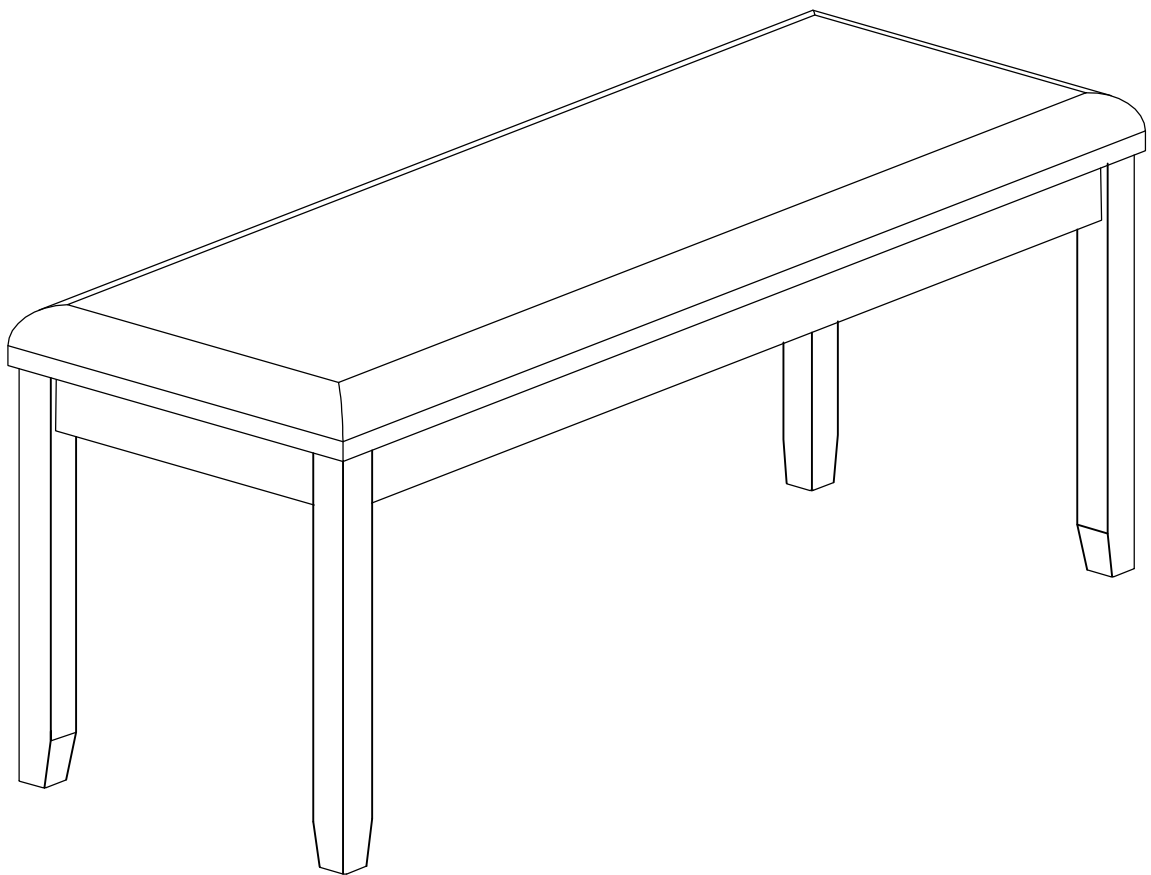
4. Place cushion (H) upside down on a non-abrasive table surface.

Hint: Protect the non-abrasive table surface and cushion (H) by placing a towel between the table and cushion.

5. Place the assembled bench frame on the cushion (H) as shown. Make sure the cushion (H) is centered. Attach the cushion (H) to the bench frame using 8 wood screws (7). Fully tighten all screws.

# BENCH ASSEMBLY INSTRUCTIONS

DIAGRAM #9



The bench is now ready for use.