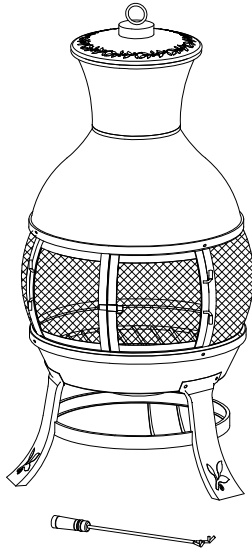


Assembly Instruction

L-CM082PST-1

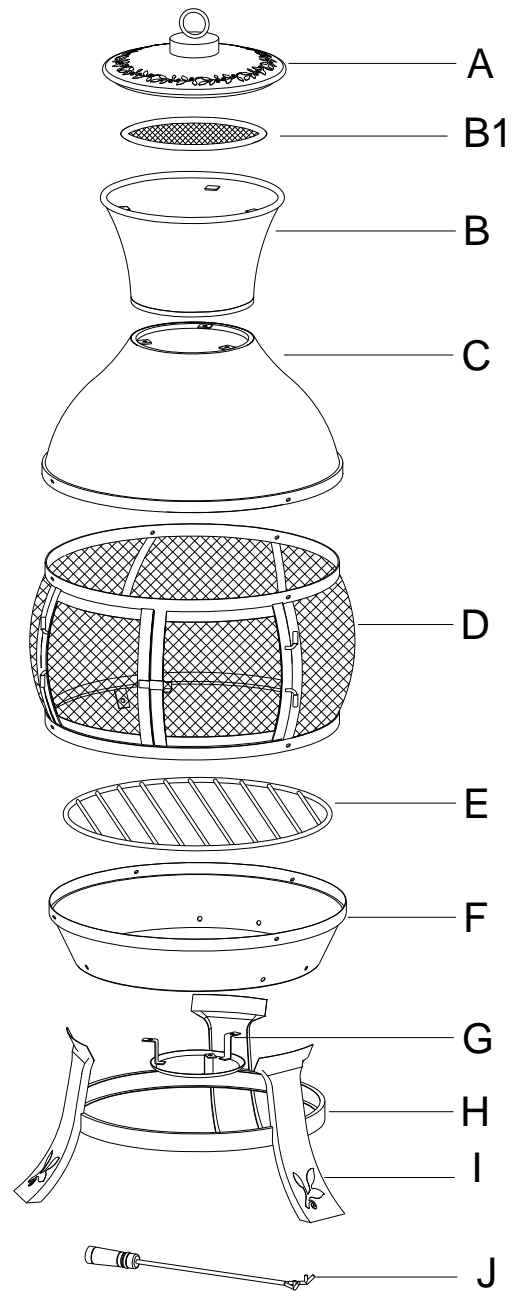


WARNING:

- This outdoor chimenea is intended for outdoor use only. **Do not** use on wooden decks.
- This outdoor chimenea is intended to burn wood logs only. Do not burn coal, leaves, or other combustible materials in the chimenea.
- Not for use by children. Keep children and pets away from this outdoor chimenea.
- The chimenea is hot. Use with caution. Do not touch the hot chimenea-with bare hands.
- Never leave the burning chimenea unattended, and always extinguish the fire completely before leaving the chimenea -
- Do not use near flammable or combustible objects or materials.
- When the chimenea is in use, the handle on the mesh screen can reach extreme temperatures that can cause serious injury to an unprotected hand. Use a poker or an appropriate heat resistant glove or pad when handling.
- **DO NOT** use this chimenea as a cooking appliance. This chimenea-is not designed for grilling food.
- Check local fire regulations and municipal by-laws for safe use.
- Read all safety guidelines, warnings, instructions, and operating rules carefully before assembling and using this product.
- Some parts may contain sharp edges – especially those noted in the manual. Wear protective gloves if necessary.

Parts list

No.	Description	Qty
A	Lifter	1
B1	Chimney Mesh cover	1
B	Chimney	1
C	Cover	1
D	Body	1
E	Charcoal grate	1
F	Flat bowl	1
G	Ash catcher	1
H	Base ring	1
I	Leg	3
J	Fire poker	1
AA	M6x15 Bolt	8
BB	M6 Washer	20
CC	M6 Nut	14
DD	M5x10 Bolt	3
EE	M5 Nut	3
FF	M6x10 Bolt	12
GG	M5/M6 Wrench	1



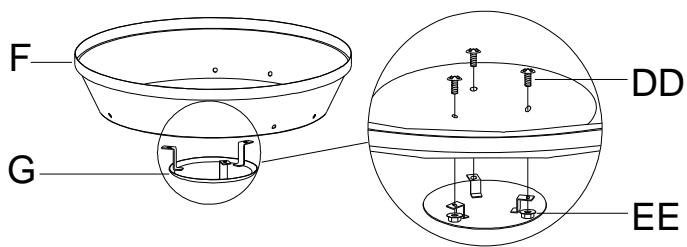


Fig. 1

Fig. 1:

Insert 3 M5x10 bolts (DD) into bowl (F), attach the ash catcher to the bottom with M5 Nuts (EE) using the M5/M6 Wrench (GG).

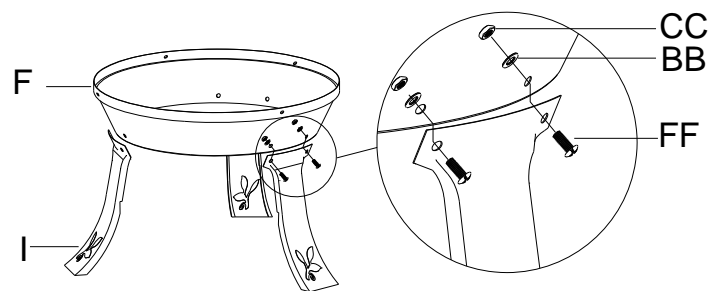


Fig. 2

Fig. 2:

Use 2 M6x10 Bolts (FF), M6 Washers (BB), M6 Nuts (CC) to attach bowl (F) and Leg (I) using the M5/M6 Wrench (GG). Don't over tighten.

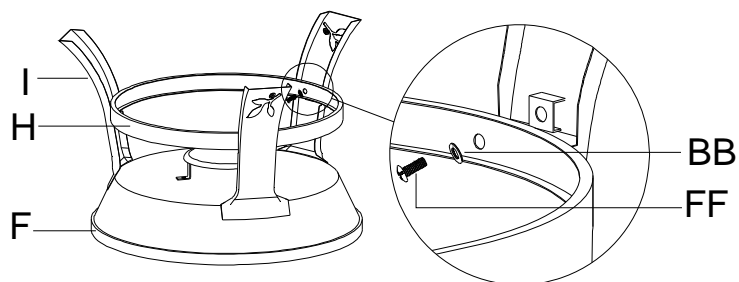


Fig. 3

Fig. 3:

Turn over bowl (F), use M6x10 Bolts (FF), M6 Washers (BB) to lock the ring (H) and leg (I) using the M5/M6 Wrench (GG).

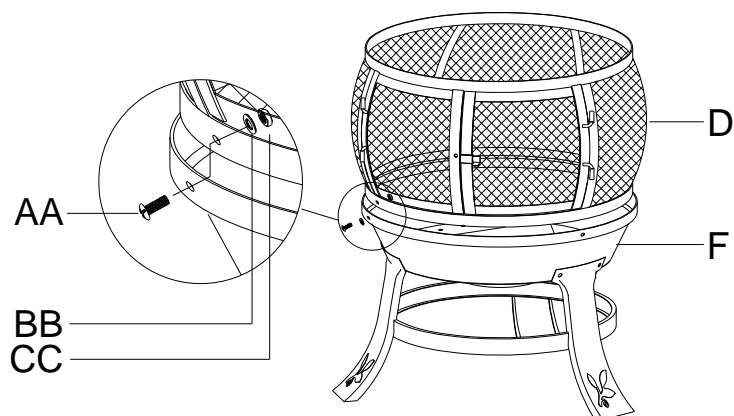


Fig. 4

Fig. 4:

Attach body (D) and bowl (F) with M6x15 Bolts (AA), M6 Washers (BB), M6 Nuts (CC), tighten using the M5/M6 Wrench (GG).

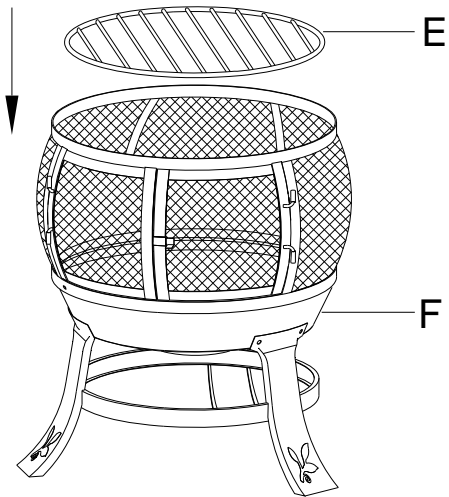


Fig. 5

Fig. 5:
Put Charcoal grate (E) on the bowl (F).

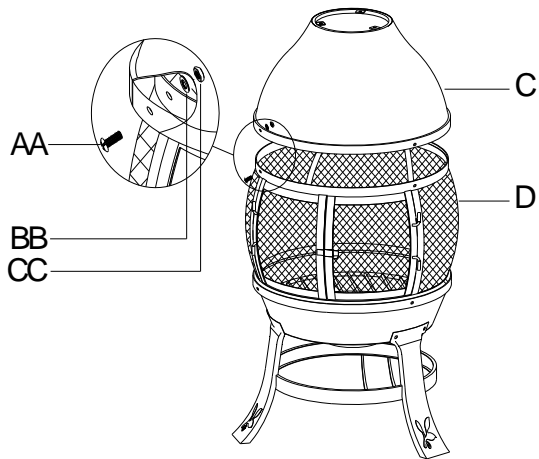


Fig. 6

Fig. 6:
Use M6x15 Bolts (AA), M6 Washers (BB), M6 Nuts (CC) to lock Cover (C) and Body (D) using the M5/M6 Wrench (GG).

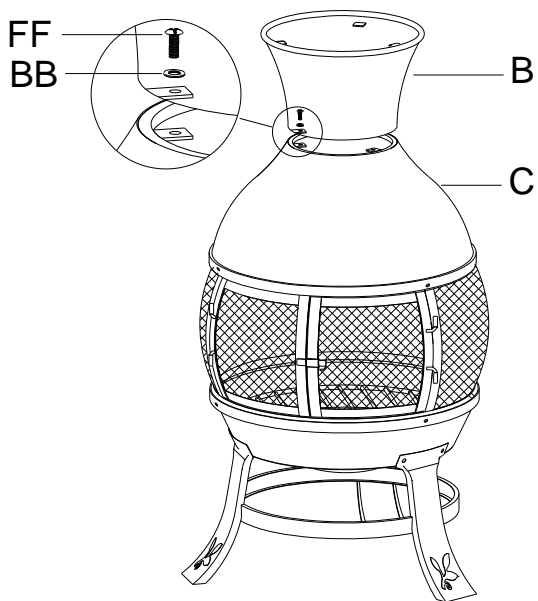


Fig. 7

Fig. 7:
Use M6x10 Bolts (FF), M6 Washers (BB) to lock Chimney (B) and Cover (C).

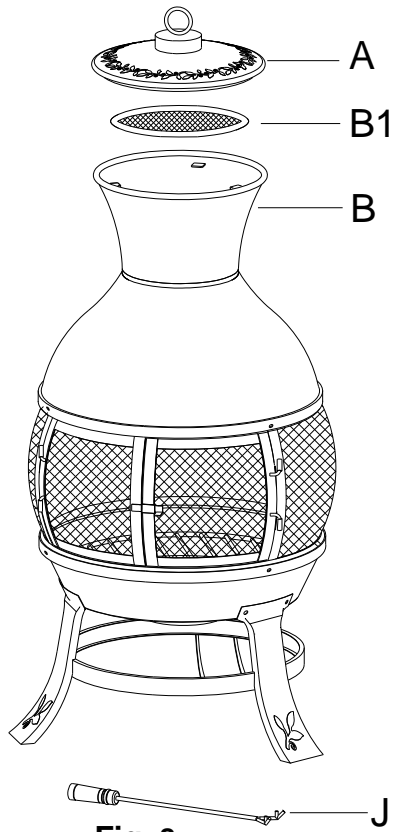


Fig. 8

Fig. 8:
First put Chimney Mesh cover (B1)
on Chimney (B). Put Lifter (A) on
Chimney (B); put Poker (J) aside.

**Now your outdoor chiminea is
ready for use.**

Made in China