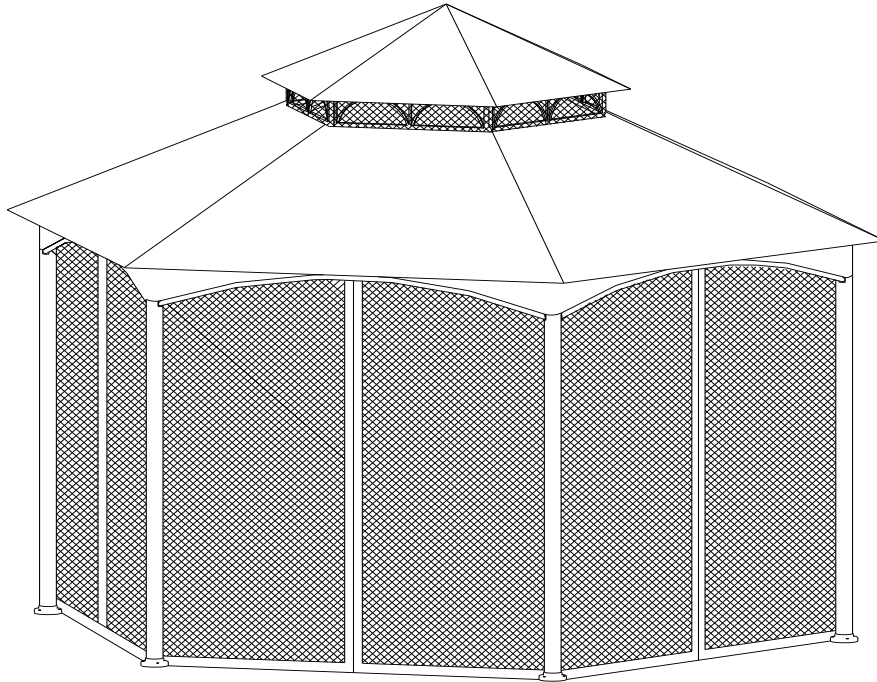


# South Bay Hexagon Easy Up Gazebo-Canopy

## Assembly Instruction

Item no# L-GZ793PST-A-PK



### **SAFETY INFORMATION**

Please read and understand this entire manual before attempting to assemble or install the product.

### **WARNING**



Keep all children and pets away from assembly area. Children and pets should be supervised when they are in the area.

Keep all flame and heat sources away from the tent fabric. This tent is made with fabric that meets CPAI-84 specification for flame resistance. It is not fireproof. The fabric will burn if left in continuous contact with any flame sources. The application of any foreign substance to the tent fabric may render the flame-resistant properties ineffective.

### **PREPARATION**

Before beginning assembly of product, make sure all parts are present. Compare parts with package contents list. If any part is missing or damaged, do not attempt to assemble the product.

### Parts List

Small canopy	J	1 pc	
Big canopy	K	1 pc	

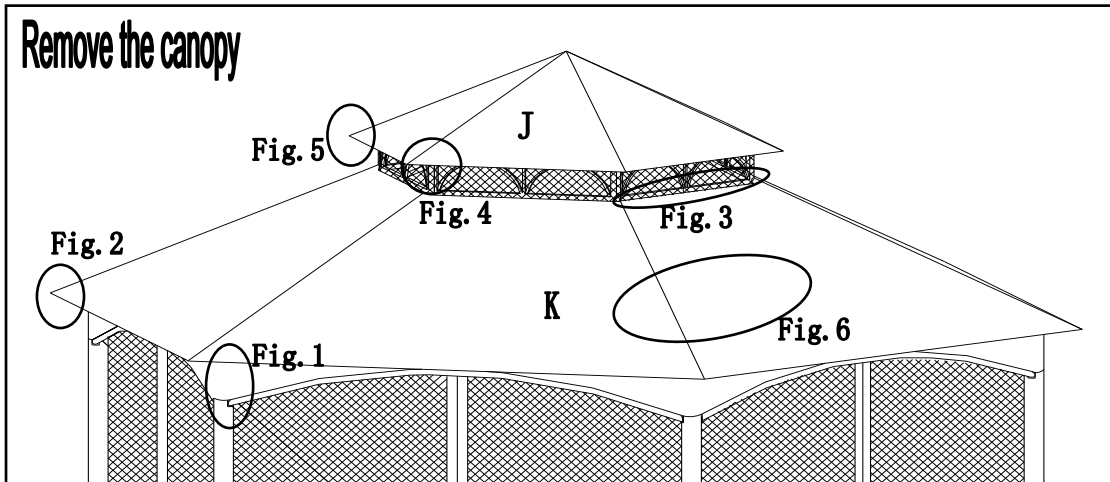


Fig.1: Open the hook-and-loop fastener at the valance of the canopy.

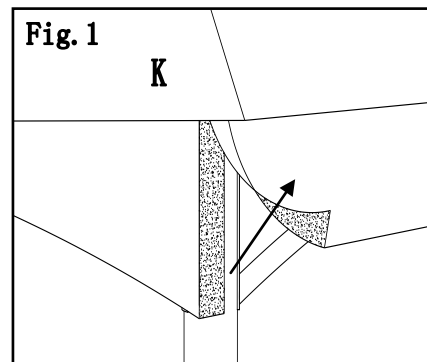


Fig.2: Remove the canopy (K) from the end of cant beam and put the canopy away.

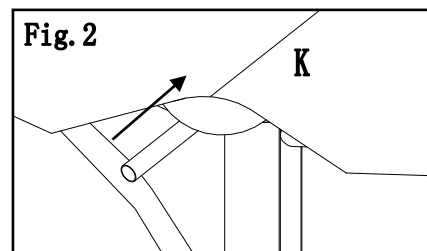


Fig.3: Open the hook-and-loop fastener between the small top netting and big canopy.

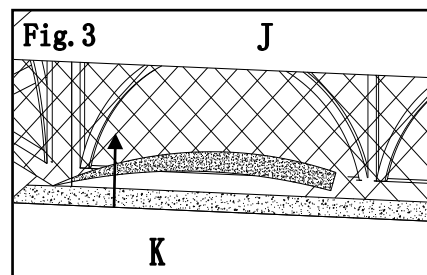


Fig.4: Remove the small top from big top.

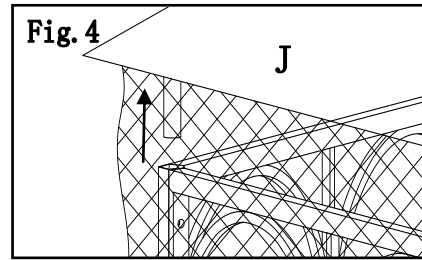


Fig.5: Remove the small canopy (J) from small top cant beam (F) and take down the small canopy (J).

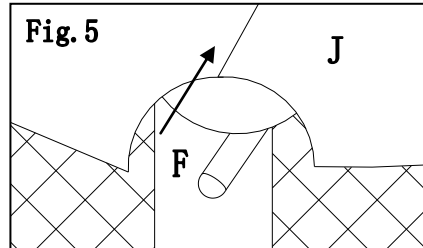
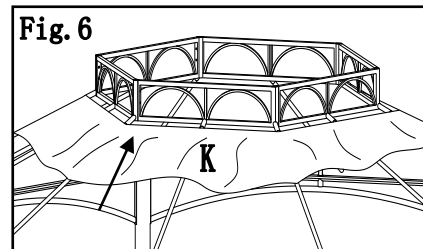


Fig.6: Take down the big canopy (K) from big top.



### Replace the canopy

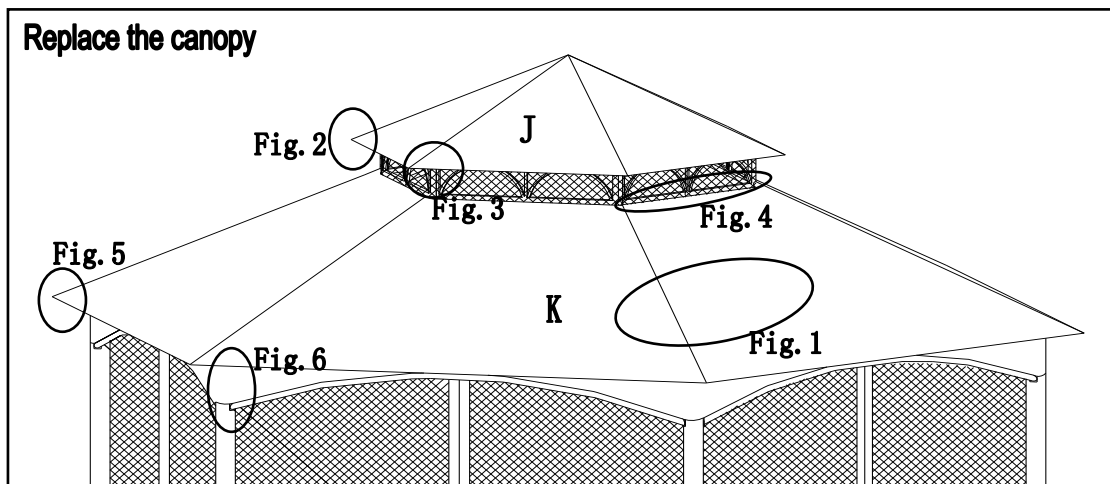


Fig.1: Put the big canopy (K) onto the big top and do not spread out.

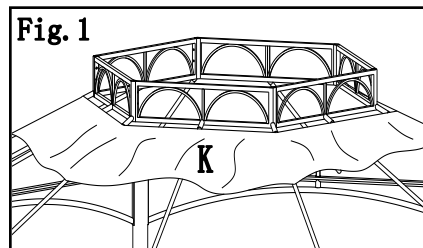


Fig.2: Put the small canopy (J) onto the small top and tighten up. Fix six corners to the end of small top cant beam (F).

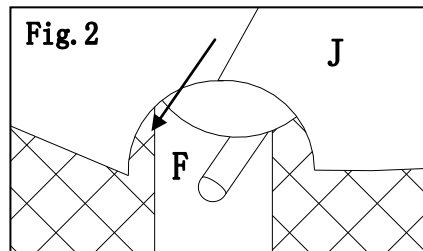


Fig.3: Fix the small top to the big top by inserting the tube of the small top cant beam (F).

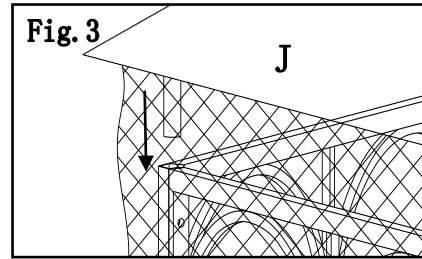


Fig.4: Fix the hook-and-loop fastener at the bottom of small canopy (J) and top of big canopy (K).

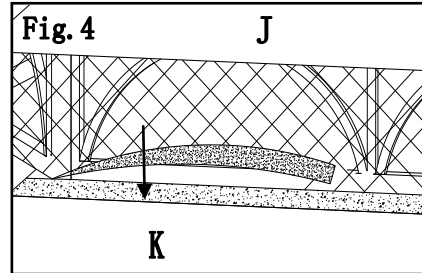


Fig.5: Spread out the big canopy (K) and fix six corners of canopy to the end of cant beam.

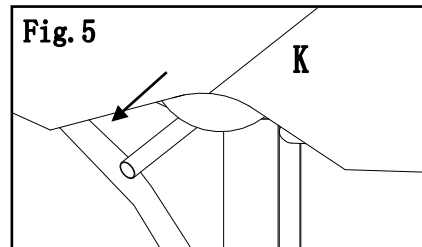
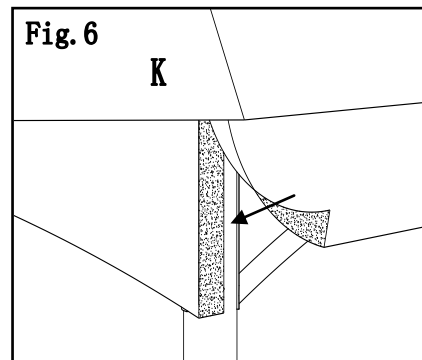


Fig.6: Fix the hook-and-loop fasteners at the valance of canopy.



**IMPORTANT:** Please do not return this product to the store. For technical assistance or replacement parts, please call Sunjoy Group at 1 (866) 578-6569 between 8:00 AM EST and 8:00 PM PST. You may fax your replacement parts form (which is included in the packaging) to 1 (740) 283-3549 or email to [customer.care@sunjoygroup.com](mailto:customer.care@sunjoygroup.com)

#### **CARE AND MAINTENANCE**

Do not use bleach acid, or other abrasive cleaners.

**LIMITED WARRANTY:**

This limited warranty is extended to the original purchaser and applies to defects in material and workmanship of your item provided the item is maintained with care and used only for personal, residential purposes.

The item is warranted to be free from defects in material or workmanship for a period of one (1) year. We don't reimburse for transportation or delivery costs, or compensate the individual or any outside party for assembling or disassembling the product.

**EXCLUSIONS:**

Items used for commercial, contract, or other non-residential purposes, or items damaged due to acts of nature, vandalism, misuse, or improper assembly are not covered. Corrosion or rusting of hardware is not covered. Proof of purchase (dated register receipt) is required for warranty claims. Warranty is to the original purchaser and is non-transferable. Any replacement of warranted items will be in the original style and color, or a similar style and color if the original is unavailable or has been discontinued. As some states do not allow exclusions or limitations on an implied warranty, the above exclusions and limitations may not apply. This warranty gives you specific rights, and you may also have other rights, which vary from state to state.