

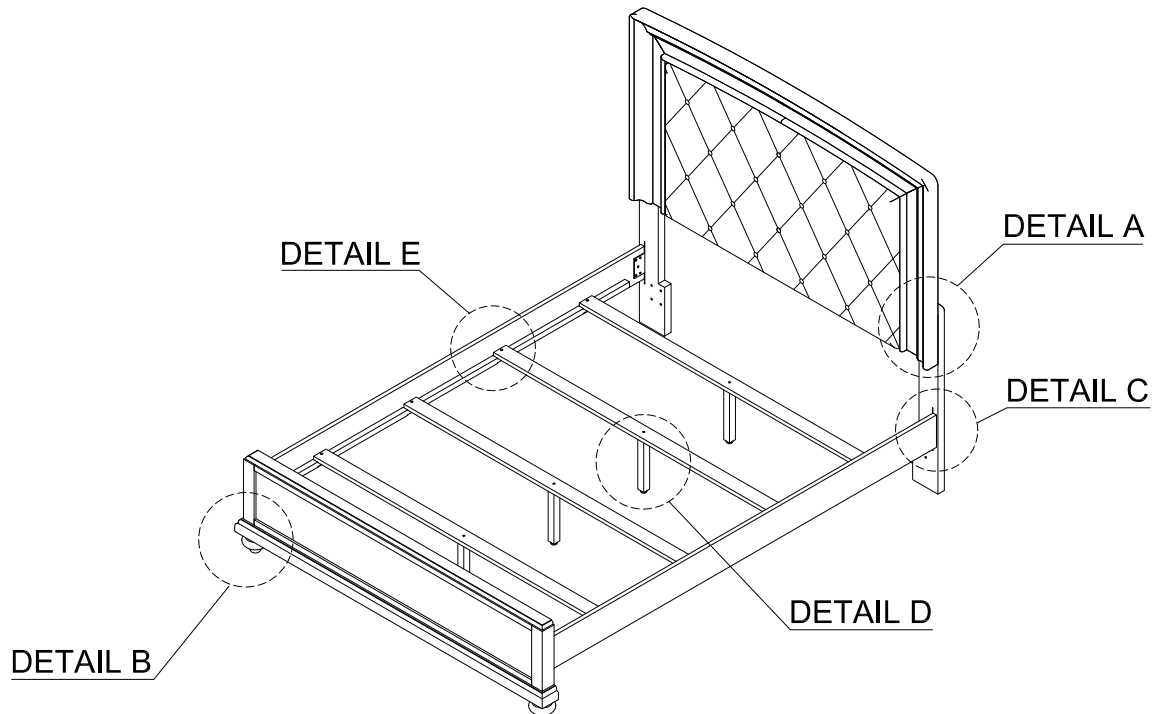
Big Lots Stores, Inc.

Assembly Instruction

Item No. : 315-8805-250/400

SKU No. : 810347327/810347324

Description: GEMMA QUEEN BED



WARNING

Caution: Adult assembly required. Assembly will require 2 people.
Assemble on soft surfaces to prevent damage to the product finish.
DO NOT use power tools.

CARE AND CLEANING

DO NOT scratch or chip the finish.
DO NOT use abrasive chemicals for cleaning. Clean with mild soap on a soft rag.
Rinse and dry thoroughly.
DO NOT place hot pots or objects over 80 degrees Fahrenheit on the surface directly.

MAINTENANCE

Check bolts/screws periodically and tighten if necessary.
WARNING: Should this product become damaged, and/or components are broken or missing, DO NOT USE.

CUSTOMER CARE

For spare screws and bolts, please contact Home Meridian Customer Care
Hours: 8:00 AM - 5:00 PM EST Monday - Friday
Tel: 1-888-572-9889 E-mail: biglots@furnhelp.com

Big Lots Stores, Inc.

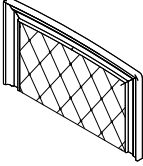
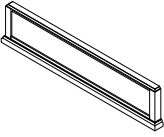
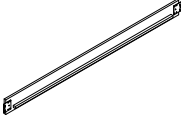

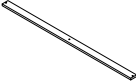



Assembly Instruction

Item No. : 315-8805-250/400





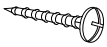
SKU No. : 810347327/810347324

Description: GEMMA QUEEN BED

Wood Part List

 <p>HB panel x 1pc</p>	 <p>FB x 1pc</p>	 <p>Side Rail x 2pcs</p>
 <p>Left HB Post x 1pc</p>	 <p>Slat x 4pcs</p>	 <p>Bun foot x 2pcs</p>
 <p>Right HB Post x 1pc</p>	 <p>Slat Support leg x 4pcs</p>	

Hardware List

<p>①</p>  <p>Allen bolt x 6pcs Ø5/16" x 2-1/4"</p>	<p>②</p>  <p>Spring washer x 6pcs Ø5/16"</p>	<p>③</p>  <p>Flat washer x 6pcs Ø5/16" x 19mm</p>
<p>④</p>  <p>Allen key x 1pc 4mm</p>	<p>⑤</p>  <p>Screw x 8pcs #8 x 1"</p>	

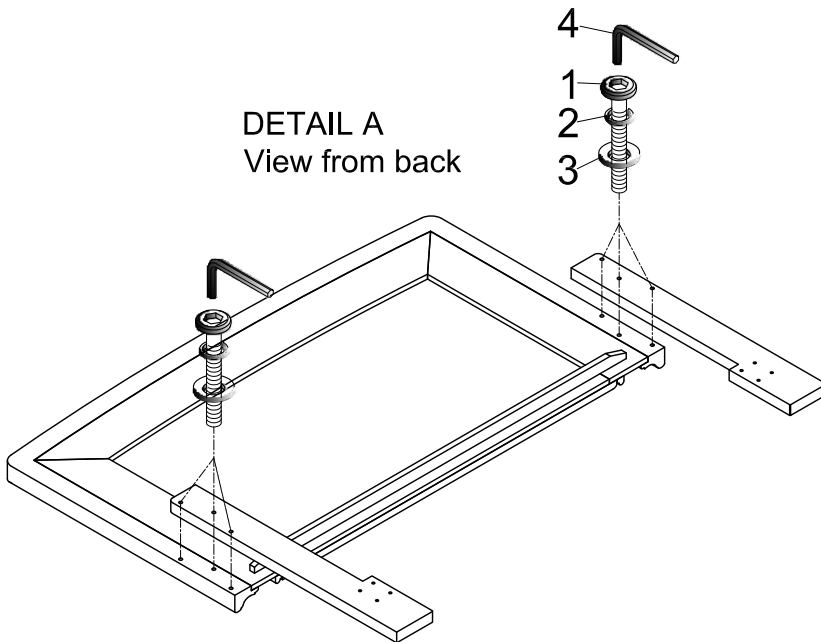
Big Lots Stores, Inc.

Assembly Instruction

Item No. : 315-8805-250/400

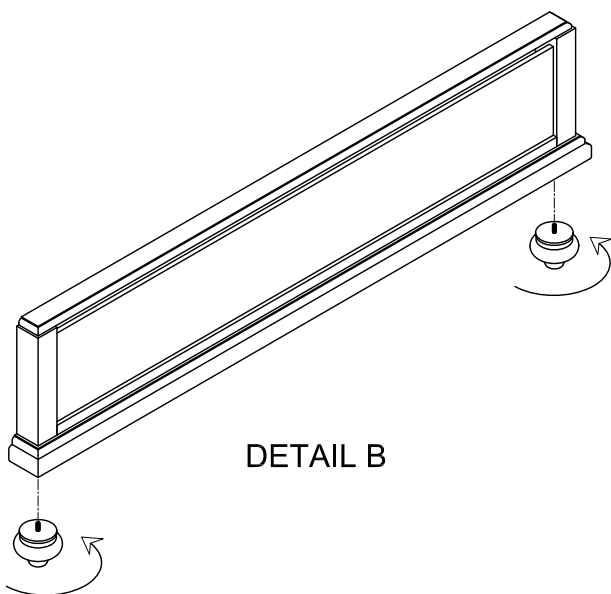
SKU No. : 810347327/810347324

Description: GEMMA QUEEN BED



STEP 1

Place the HB panel face down on a solid non-abrasive surface such as carpet or a cloth to prevent scratching the bed finish. Align the pre-drilled holes of the Left HB post and Right HB post with the pre-drilled holes on back of HB panel. Secure HB posts to the HB panel with Allen Bolt, Spring washer and Flat washer using Allen key. (see DETAIL A)



STEP 2

Insert exposed threads in the Bun feet into the pre-threaded holes in bottom of FB. Secure by turning in counter clockwise direction. (see DETAIL B)

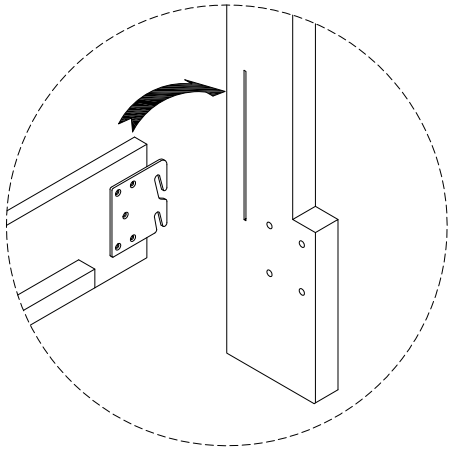
Big Lots Stores, Inc.

Assembly Instruction

Item No. : 315-8805-250/400

SKU No. : 810347327/810347324

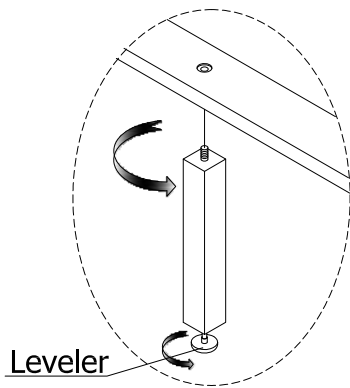
Description: GEMMA QUEEN BED



DETAIL C

STEP 3

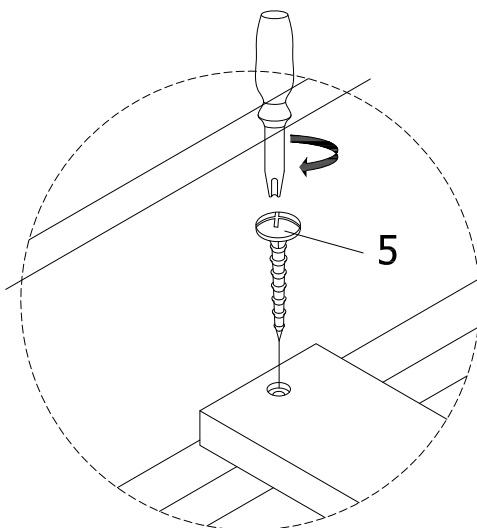
Insert the hooks of rails into the slots of HB and FB (see DETAIL C)



DETAIL D

STEP 4

Insert exposed threads in the Slat support legs into the pre-threaded holes in center slats. Secure by turning in counter clockwise direction. (see DETAIL D)



DETAIL E

STEP 5

Align the pre-drilled holes in the slats with the cleat rail of Side Rails. Secure with phillips head wood screw using phillips head screwdriver (not enclosed). (see DETAIL E)