

THIS INSTRUCTION BOOKLET CONTAINS  
**IMPORTANT** SAFETY INFORMATION. PLEASE  
READ AND KEEP FOR FUTURE REFERENCE.

 DO NOT RETURN PRODUCT TO THE STORE  
Individual stores do not stock parts.

Lot Number: \_\_\_\_\_

Date Of Purchase: \_\_\_\_/\_\_\_\_/\_\_\_\_

If a part is missing or damaged, call our toll-free customer service line.  
We will gladly ship your replacement parts FREE of charge.

**1-800-489-3351**  
or access our website  
[www.altrafurniture.com](http://www.altrafurniture.com)

For prompt, reliable service please have your assembly manual ready.

Recommended # of people needed for assembly:2  
(However it is always better to have an extra hand.)

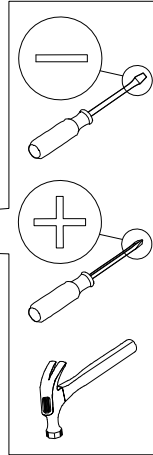
Spanish translations are located in the center of this manual.

Thank you for purchasing from ALTRA FURNITURE.

Visit [www.altrafurniture.com](http://www.altrafurniture.com) to view the limited warranty valid in the U.S. and Canada.

## BEFORE STARTING

- Read each step carefully before starting. It is very important that each step of instruction is performed in the correct order. If these steps are not followed in sequence, assembly difficulties will occur.
- Make sure all parts are included. Most board parts are labeled or stamped on the raw edge.
- Work in spacious area, preferably on a carpet, near the place the unit will be used.
- Have the following tools close at hand.
- Do not use power tools to assemble your furniture. Power tools may strip or damage the parts.



## HELPFUL HINTS

- Visit our website for assembly video clips.
- Call our toll free number if you need assistance.
- Compression dowels are tapped in with a hammer.
- Back panels provide stability and support. Use all the nails provided. Units without the back panel installed may collapse.
- When tapping nails into a board, be sure there are equal margins on all side to square the unit.
- Move your new furniture carefully, with two people lift and carry the unit to it's new location.
- Never push, drag or scoot your furniture (especially on carpet).
- Your ALTRAFURNITURE can be disassembled and reassembled to move.
- Additional parts are available for a nominal fee.

For help with assembly, identifying parts, product information or to order parts, please contact us:



**Call us at: 1-800-489-3351**

Monday-Friday

9:00 am - 5:00 pm

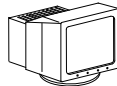
(Central Time)



**FAX:**

**1-636-745-1005**

available 24 hours a day,  
7 days a week



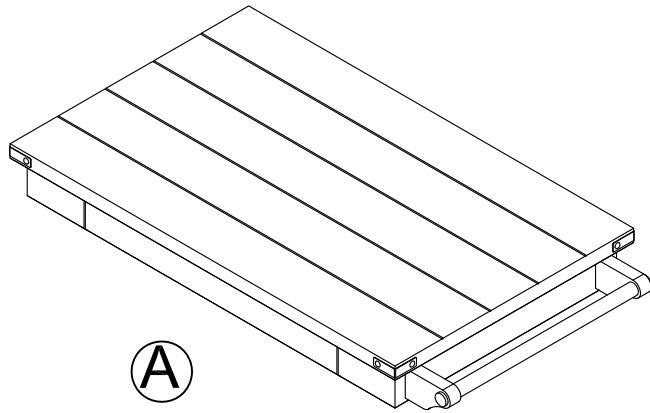
**Visit our website:**

**[www.altrafurniture.com](http://www.altrafurniture.com)**



**Write to:**

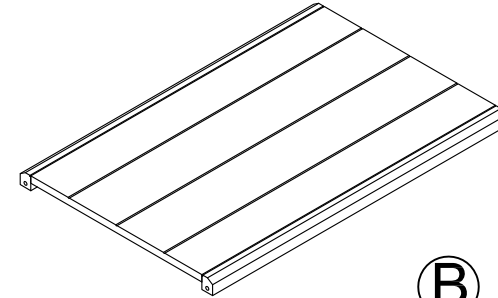
**ALTRA FURNITURE  
410 East 1st Street South  
Wright City, MO 63390 USA  
Attn: Service Dept.**



A

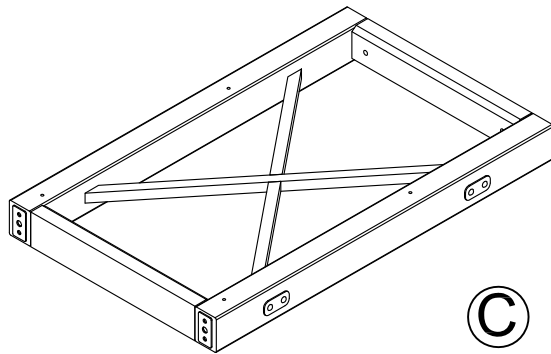
Top With Drawer  
T5279196010

Preassembled Parts	
Top	T5279196011
Drawer	T5279196012
16" Left Metal Slide	TLD0016
16" Right Metal Slide	TLD0017
Screw Ø3.5x32	TLD0011
Screw Ø3.0x12	TLD0012
Cam Lock	TLD0008
Cam Bolt	TLD0007
L-Shape Plate	TLD0006
Nut	TLD0001
Nail	TLD0003



B

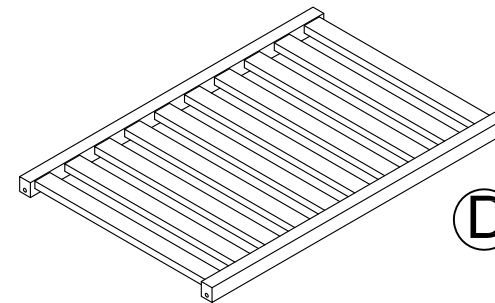
Fixed Shelf  
T5279196020



C

Side Frame  
T5279196030  
Qty: 2

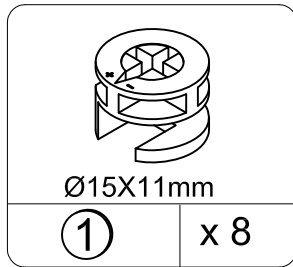
Preassembled Parts	
Side Panel	T5279196031
Rail	T5279196032
Metal Plate	TLD0005
Nail	TLD0003
Bolt 1/4X50	TLD0009
Steel Plate	TLD0004
Screw 1/4X15	TLD0010



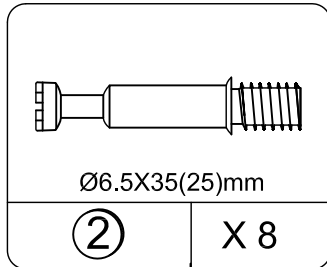
D

Fixed Shelf  
T5279196040

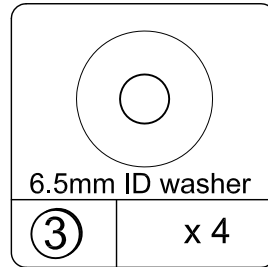
# PARTS



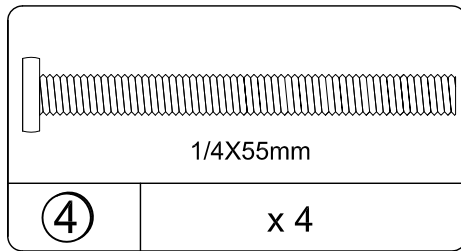
Cam Lock  
TLD0008



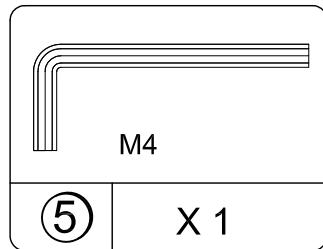
Cam Bolt  
TLD0007



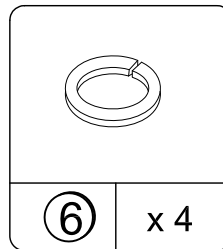
Washer  
TLD0021



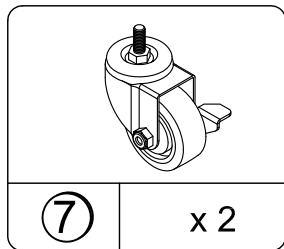
Bolt  
TLD0035



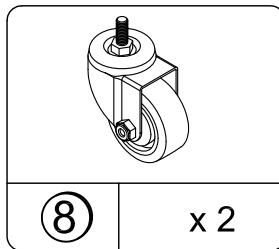
Hex Key  
TLD0023



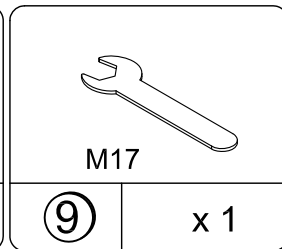
Spring Washer  
TLD0022



Caster with Lock  
TLD0024

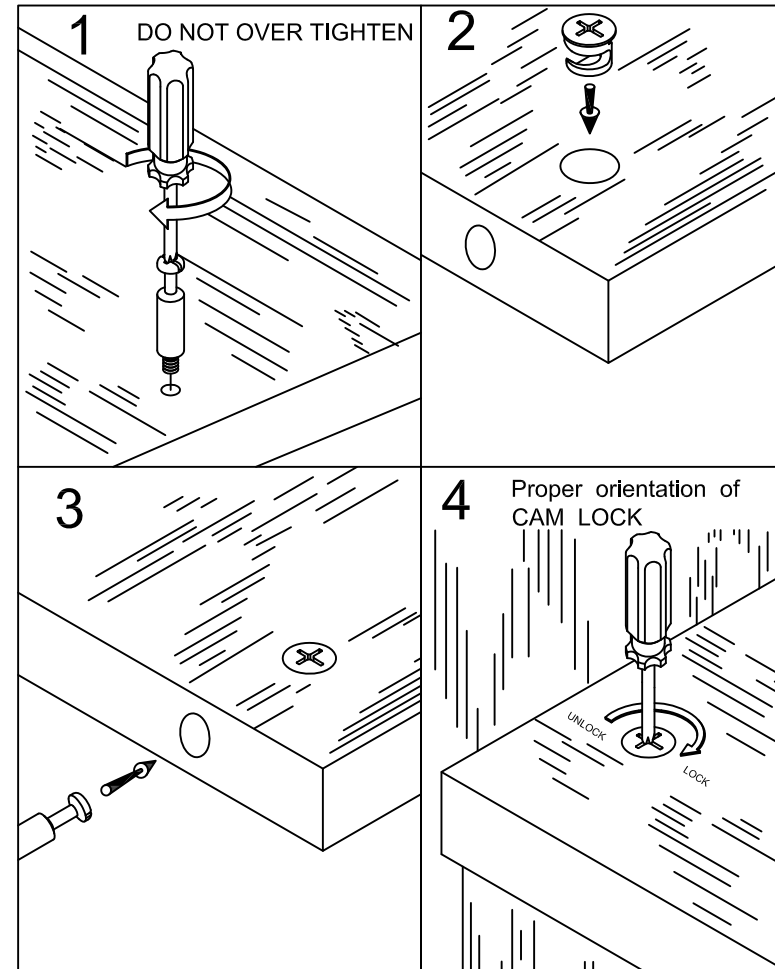


Caster  
TLD0025



Wrench  
TLD0031

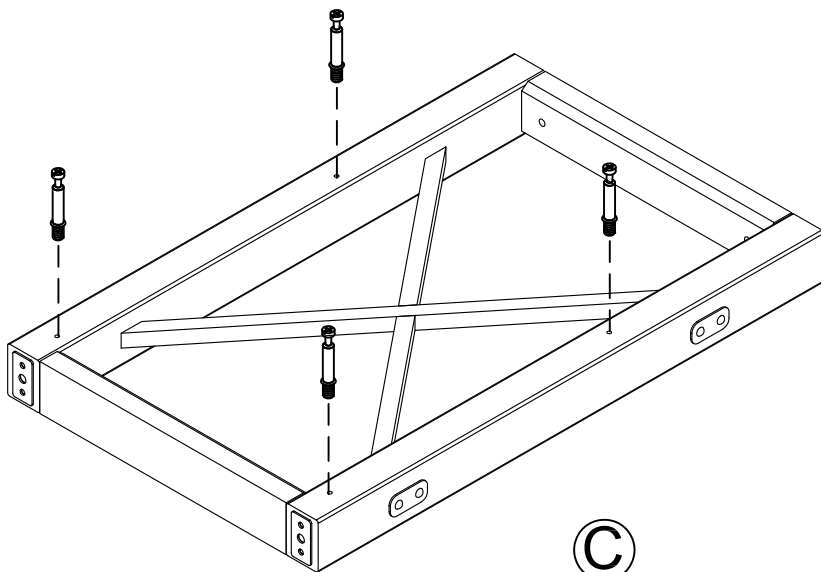
This illustration shows how the CAM fastening system works.



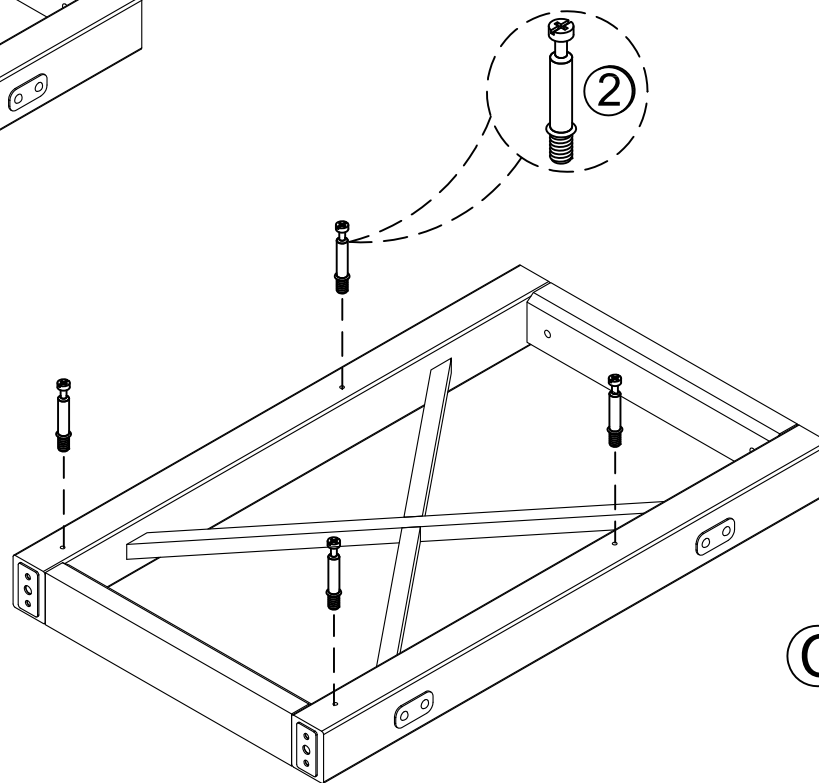
To view a video on how the CAM fastening system works, download a free QR-reader on your smartphone, then scan the code.

# 1

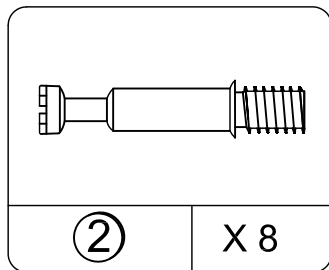
- Screw cam bolts (2) into the holes of side frames (C&C) as below shown.



C

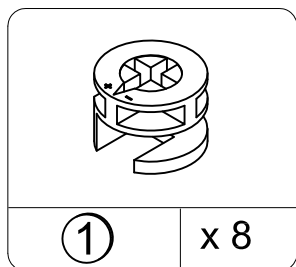
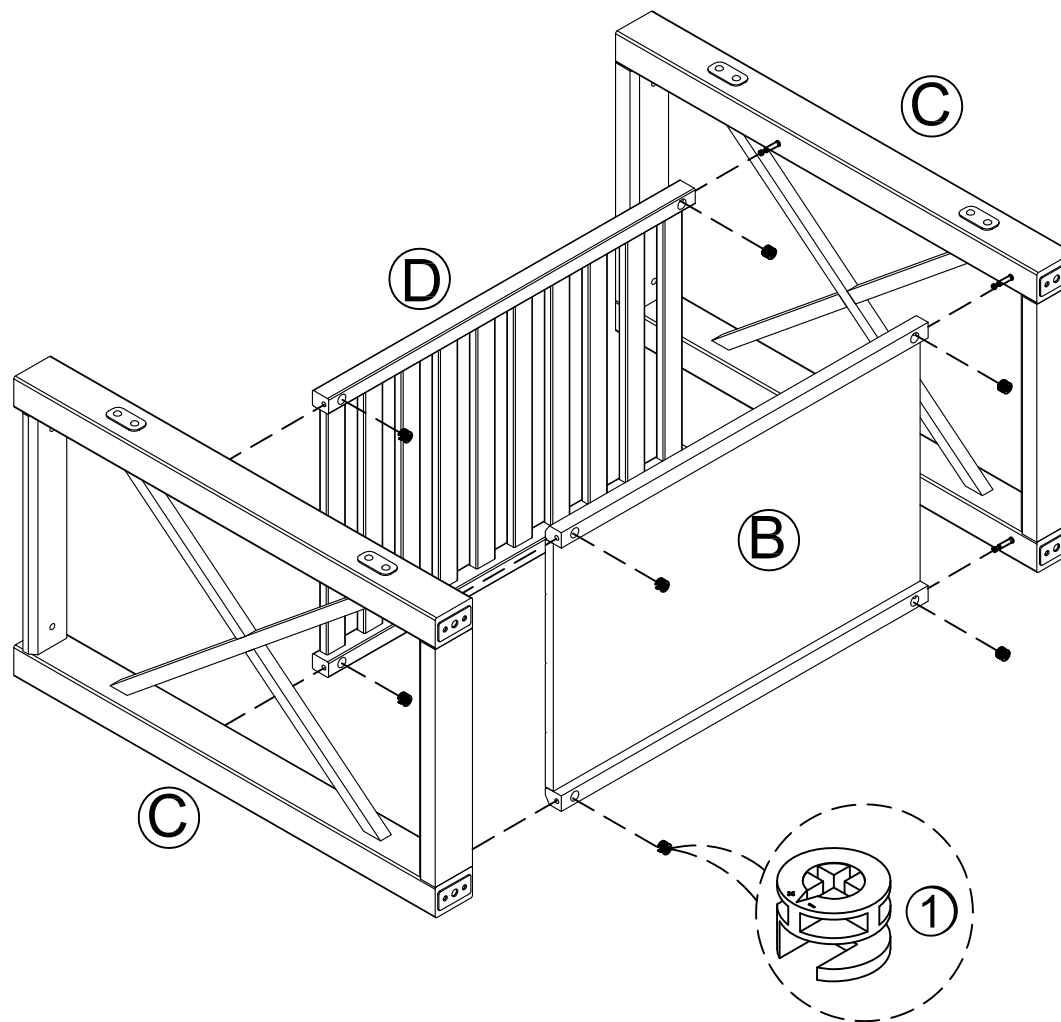


C



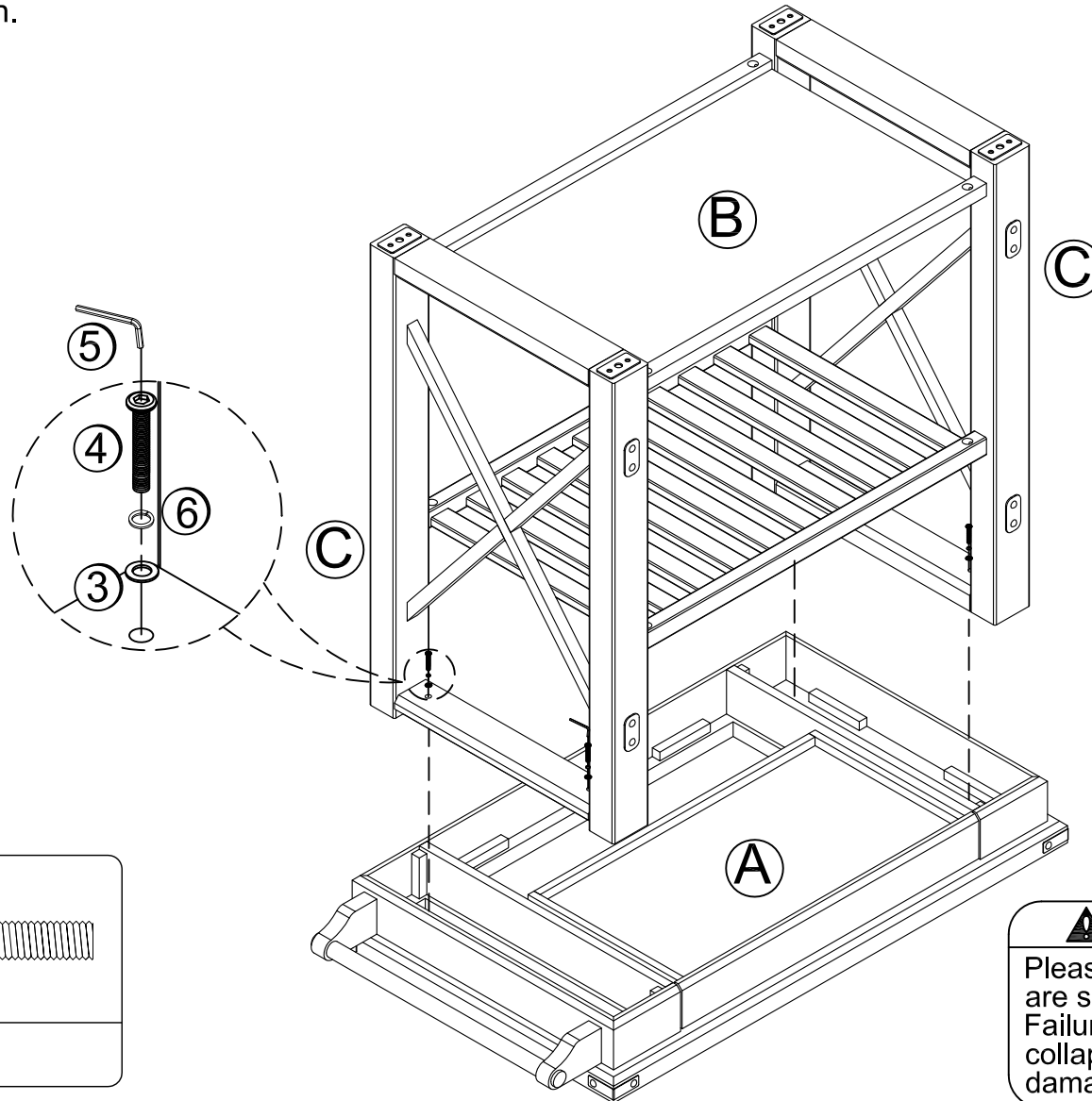
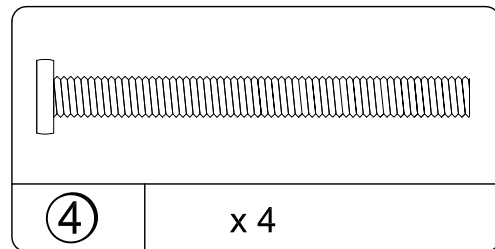
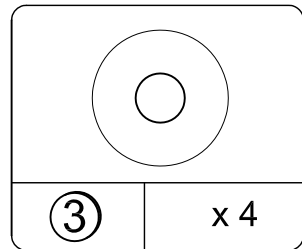
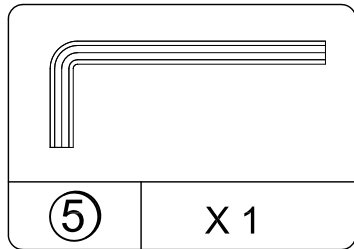
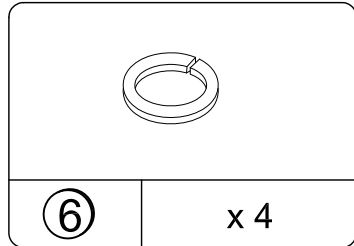
# 2

- Attach fixed shelves (B&D) to side panels (C&C) with cam locks (1) as below shown.



# 3

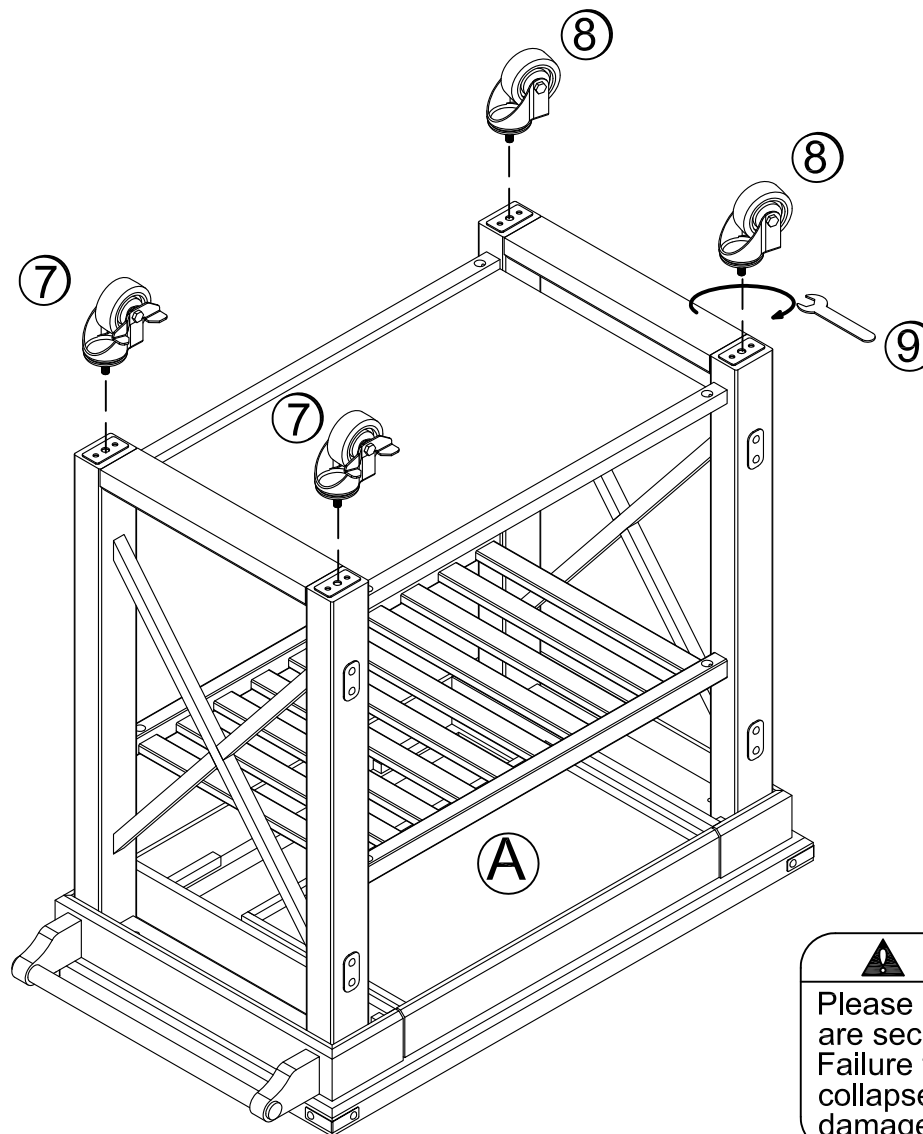
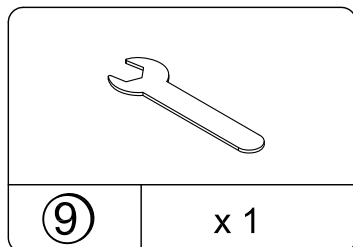
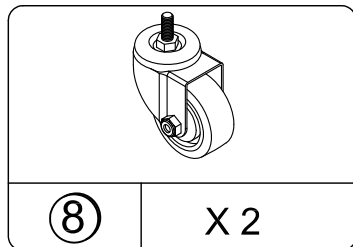
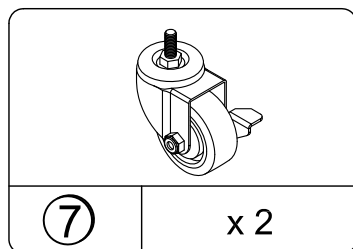
- Attach the assembled unit (B&C&D) to the top unit (A) with bolts (3), washer (4), and spring washers (6) as below shown.



**▲ CAUTION**  
Please make sure all bolts are securely tightened. Failure to do so may result in collapse of unit, property damage or injury.

# 4

- Use the wrench (9) to screw casters (7&8) into the holes of side frame (C) as below shown.



**⚠ CAUTION**  
Please make sure all bolts are securely tightened. Failure to do so may result in collapse of unit, property damage or injury.



Call our toll free number for any assistance you should need or visit our website:

**1-800-489-3351**

[www.altrafurniture.com](http://www.altrafurniture.com)

Clean the product with your favorite furniture polish and a soft cloth. Do not use harsh chemicals or abrasive cleaners.

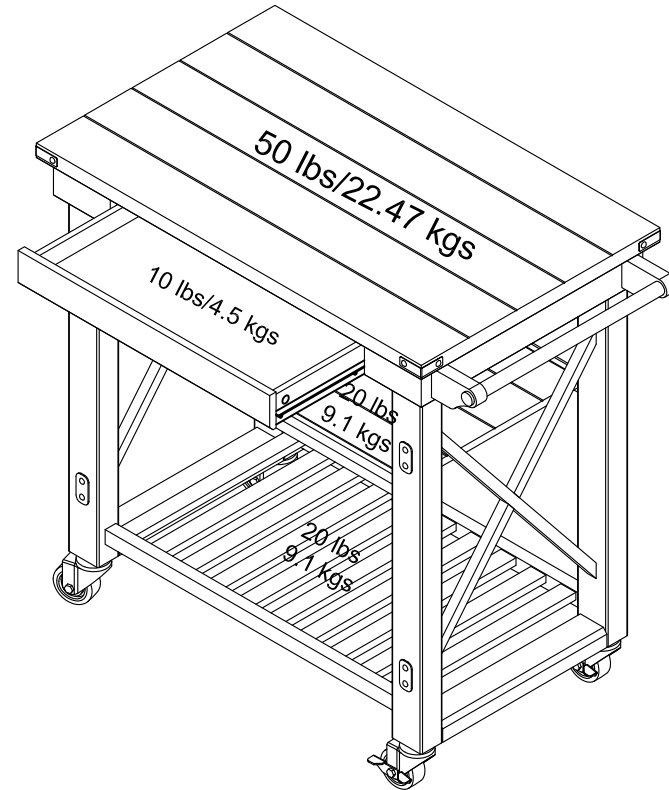
Before moving the unit, remove everything including TV from the unit. Move your new furniture carefully with two people. Lift and carry the unit. Never push or drag the unit.

Do not allow children to climb or play on the unit. Failure to comply could result in severe injury.

This unit has been designed to support the maximum loads shown. Exceeding these load limits could cause unit sagging, instability, product collapse and/or serious injury.

Apply the warning label to the TV stand as shown, be sure the TV covers the label in use. You will not be able to remove the label after it is applied to the TV stand.

### WEIGHT LIMITS:



# Enjoy Your Furniture