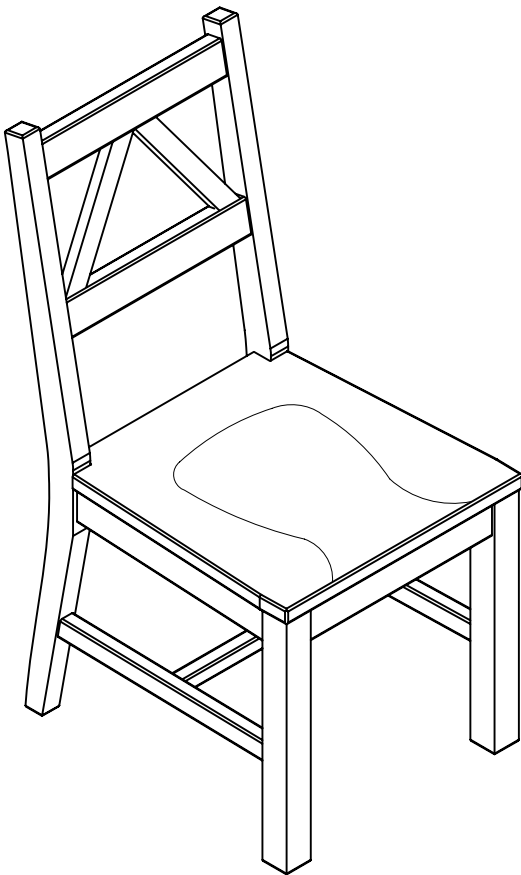




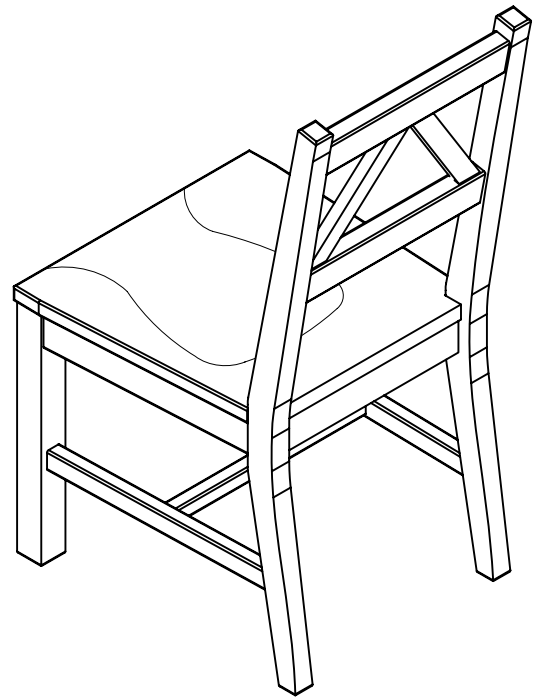
**LINON HOME DECOR PRODUCTS, INC.**

---

# **ASSEMBLY INSTRUCTIONS**



**Front view**



**Back view**

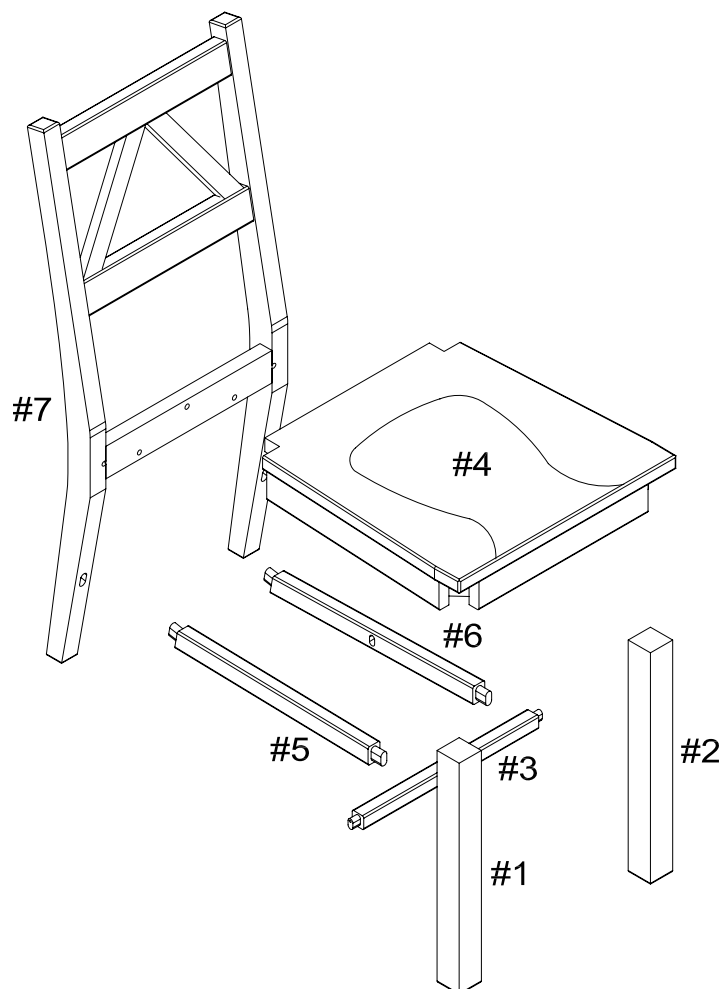
MADE IN CHINA  
FOR LINON HOME DECOR PRODUCTS INC BY CH46



LINON HOME DECOR PRODUCTS, INC.

## PARTS IDENTIFICATION

ITEM	DESCRIPTION	QTY
#1	LEFT LEG	01
#2	RIGHT LEG	01
#3	FRONT RAIL	01
#4	SEAT	01
#5	LEFT RAIL	01
#6	RIGHT RAIL	01
#7	BACKREST	01



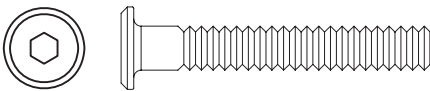
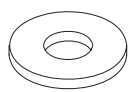
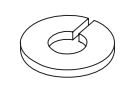
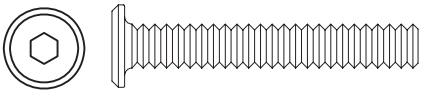
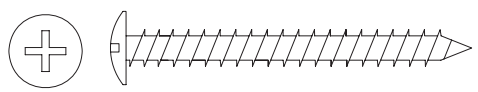

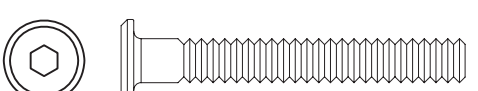
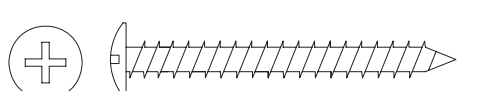
For ease of identification all parts are labeled to correspond to the Step number in which the part is used.



# LINON HOME DECOR PRODUCTS, INC.

## HARDWARE IDENTIFICATION

Please line up the hardware with the correct full size image to make sure you are installing the hardware correctly.

ITEM	PICTURE	DESCRIPTION	QTY
A		(Ø6x60mm) Not to Scale	LARGE BOLT 04
B		(Ø20mm) Not to Scale	FLAT WASHER 09
C		(Ø10mm) Not to Scale	SPRING WASHER 09
D		(Ø6x40mm) Full Size	SMALL BOLT 03
E		(Ø4x45mm) Full Size	LONG SCREW 04
F		Not to Scale	ALLEN KEY 01
G		(Ø6x70mm) Not to Scale	BOLT 02
H		(Ø4x40mm) Full Size	SCREW 02

Tools required

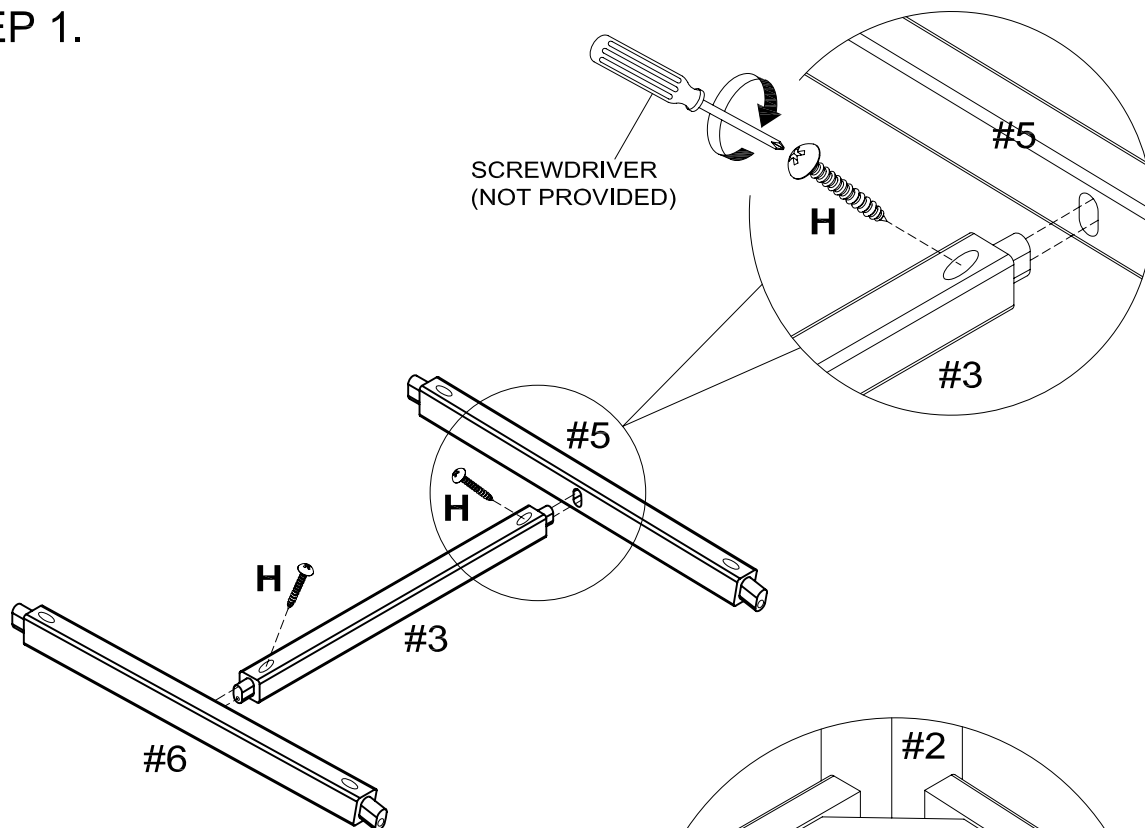


Long screwdriver

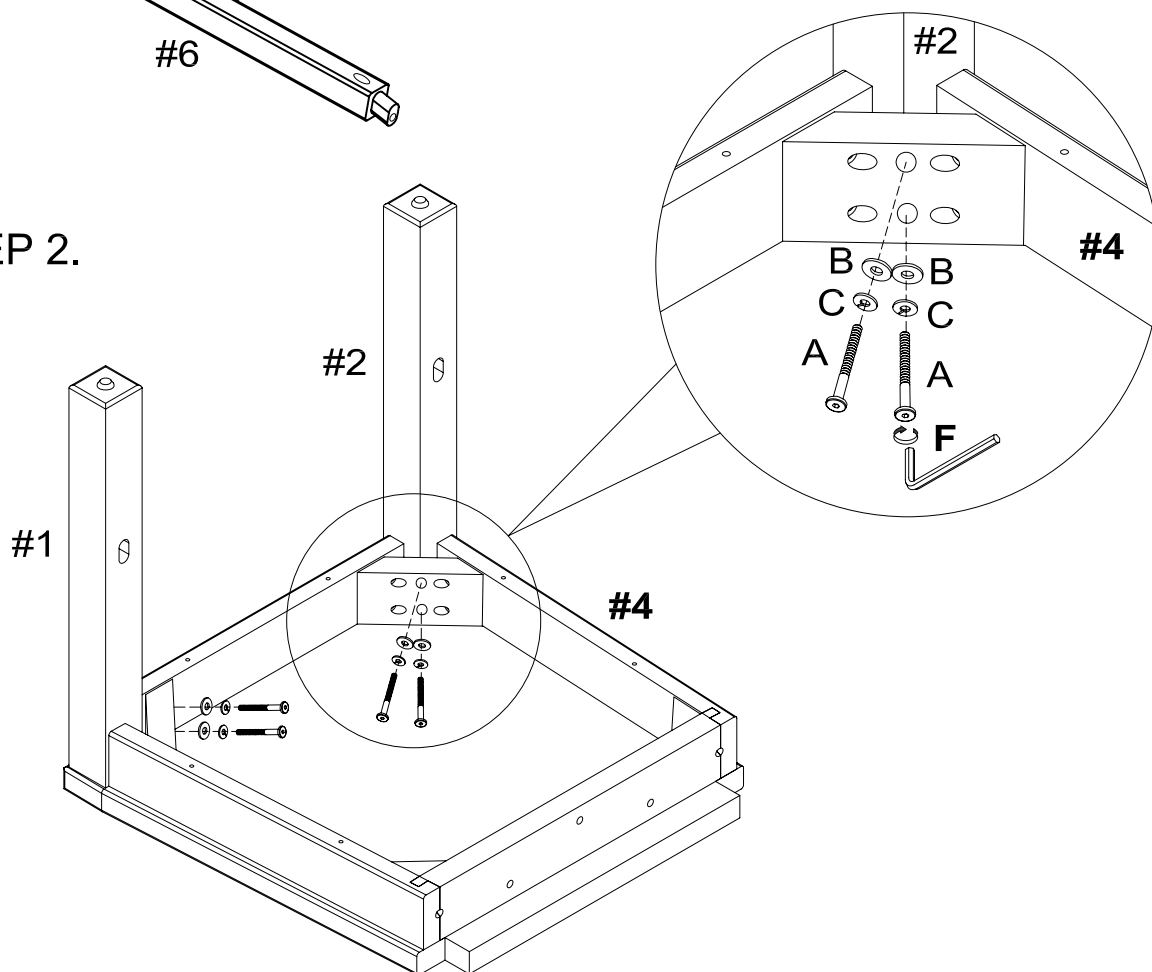


**LINON HOME DECOR PRODUCTS, INC.**

**STEP 1.**



**STEP 2.**



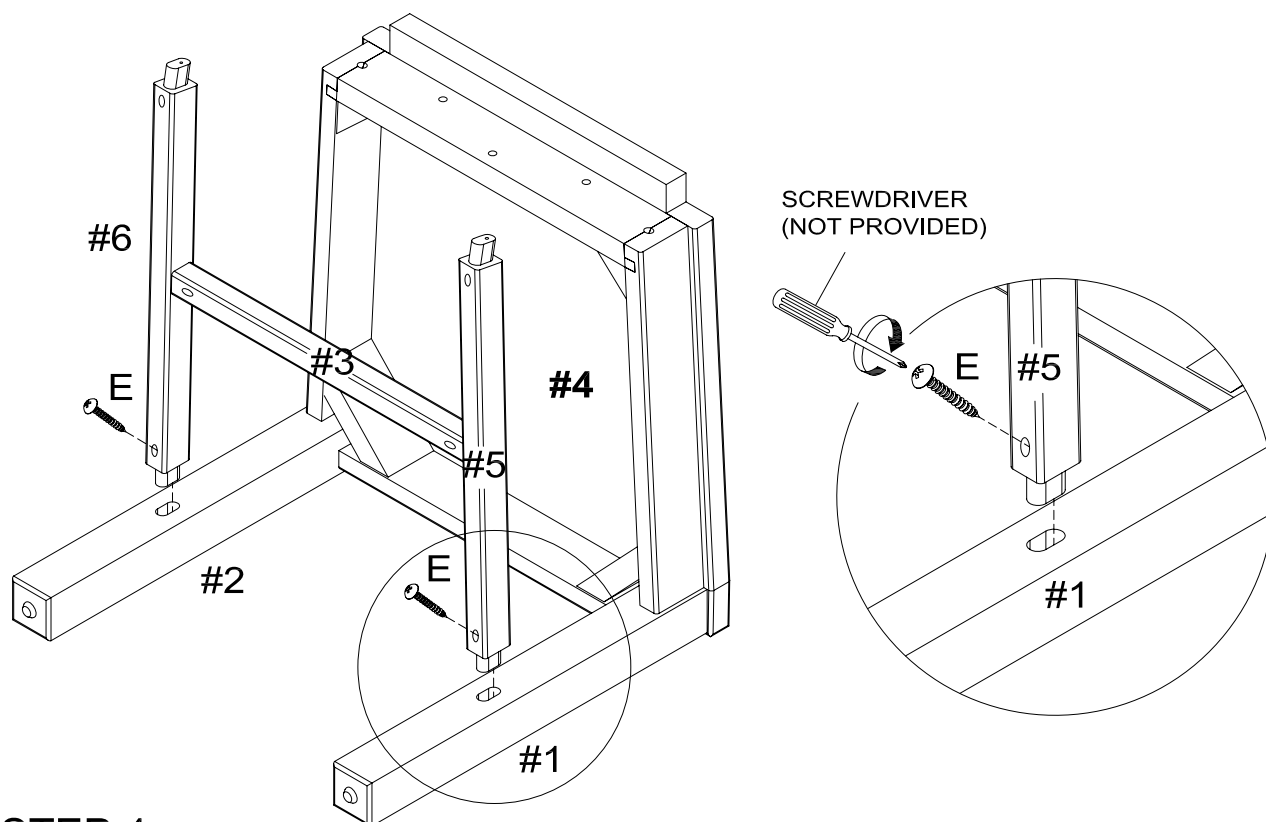
**IMPORTANT:**

1. DO NOT TIGHTEN BOLTS COMPLETELY UNTIL ALL BOLTS ARE COMPLETELY LINED UP AND INSERTED INTO HOLES / NUTS.
2. DO NOT OVER TIGHTEN SCREWS AND BOLTS TO AVOID STRIPPING.



# LINON HOME DECOR PRODUCTS, INC.

## STEP 3.



## STEP 4.

