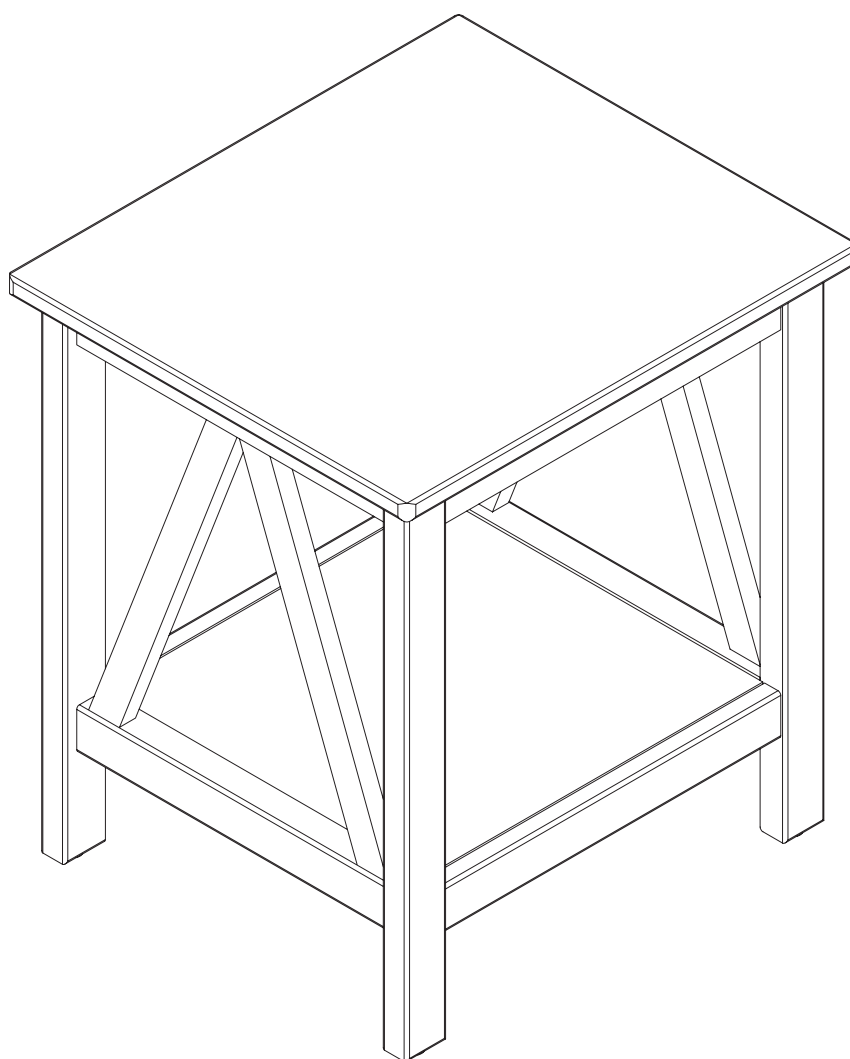




**LINON HOME DECOR PRODUCTS, INC.**

---

# **ASSEMBLY INSTRUCTIONS**



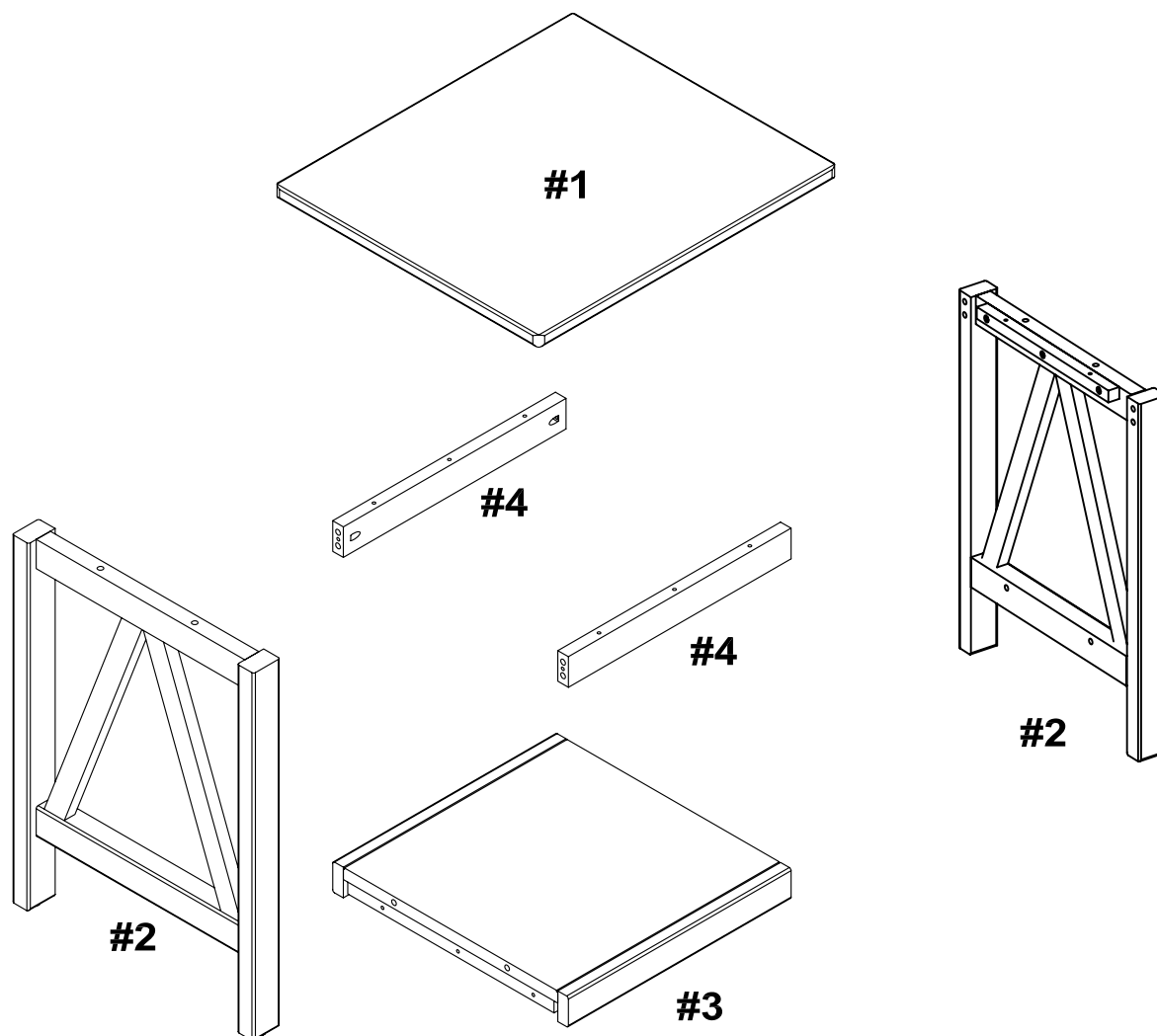
MADE IN CHINA  
FOR LINON HOME DECOR PRODUCTS INC BY CH46



LINON HOME DECOR PRODUCTS, INC.

## PARTS IDENTIFICATION

ITEM	DESCRIPTION	QTY
#1	TOP PANEL	01
#2	SIDE PANEL	02
#3	BOTTOM PANEL	01
#4	TOP RAIL	02



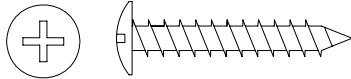
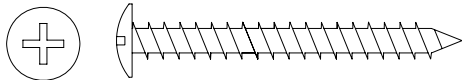
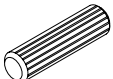
For ease of identification all parts are labeled to correspond to the Step number in which the part is used.



# LINON HOME DECOR PRODUCTS, INC.

## HARDWARE IDENTIFICATION

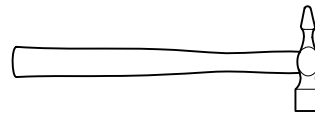
Please line up the hardware with the correct full size image to make sure you are installing the hardware correctly.

ITEM	PICTURE	DESCRIPTION	QTY
<b>A</b>		(Ø4x30mm) Full Size	SCREW 14
<b>B</b>		(Ø4x45mm) Full Size	SCREW 6
<b>C</b>		(Ø8x30mm) Not to Scale	WOODEN DOWEL 16

Tools required



Long screwdriver



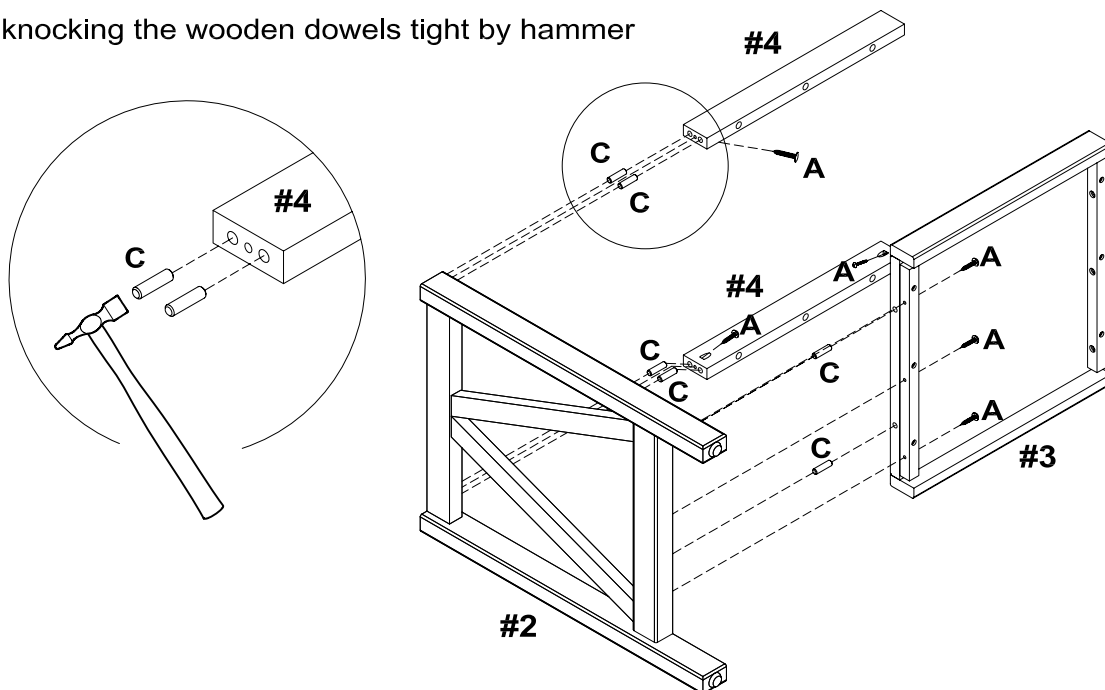
Small  
hammer



**LINON HOME DECOR PRODUCTS, INC.**

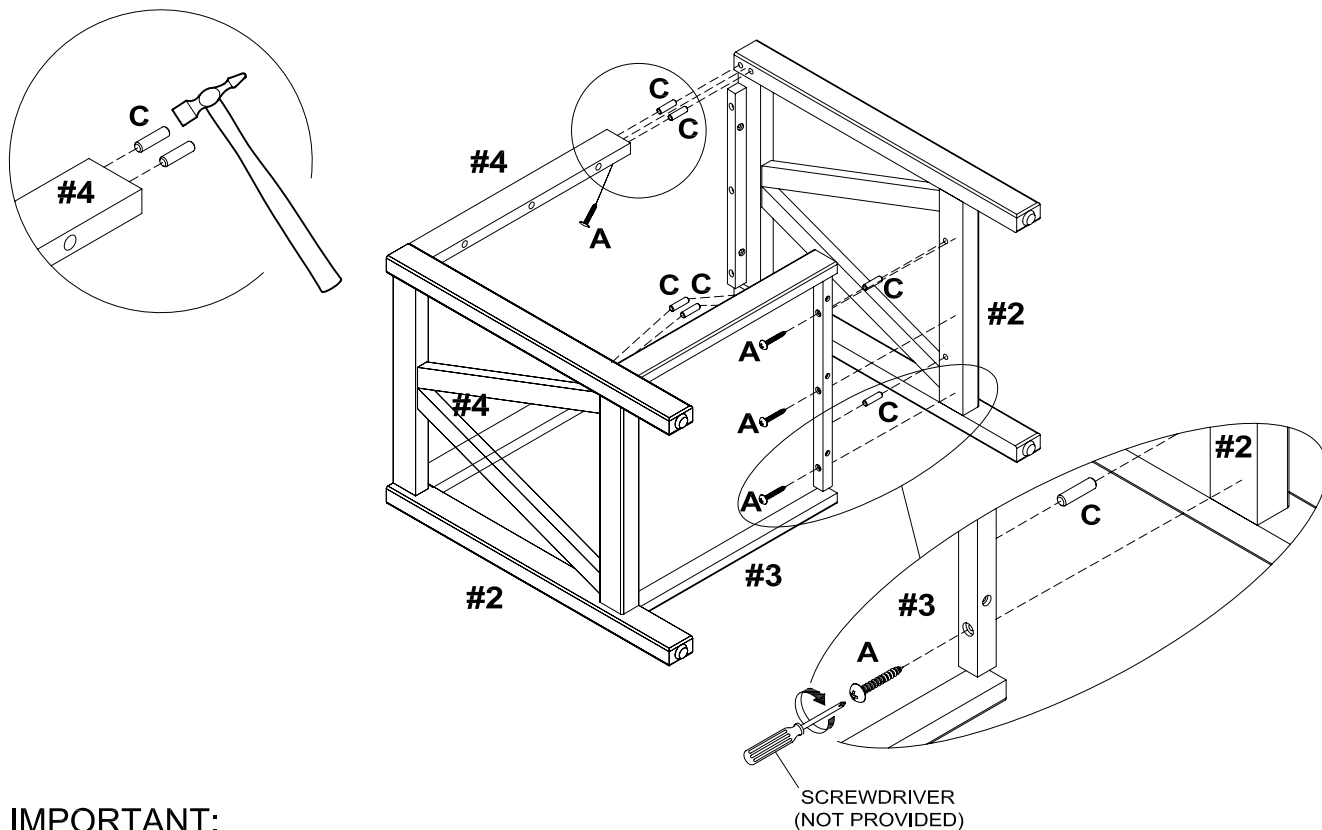
**STEP 1.**

knocking the wooden dowels tight by hammer



**STEP 2.**

knocking the wooden dowels tight by hammer



**IMPORTANT:**

1. DO NOT OVER TIGHTEN SCREWS TO AVOID STRIPPING.



# LINON HOME DECOR PRODUCTS, INC.

## STEP 3.

knocking the wooden dowels tight by hammer

