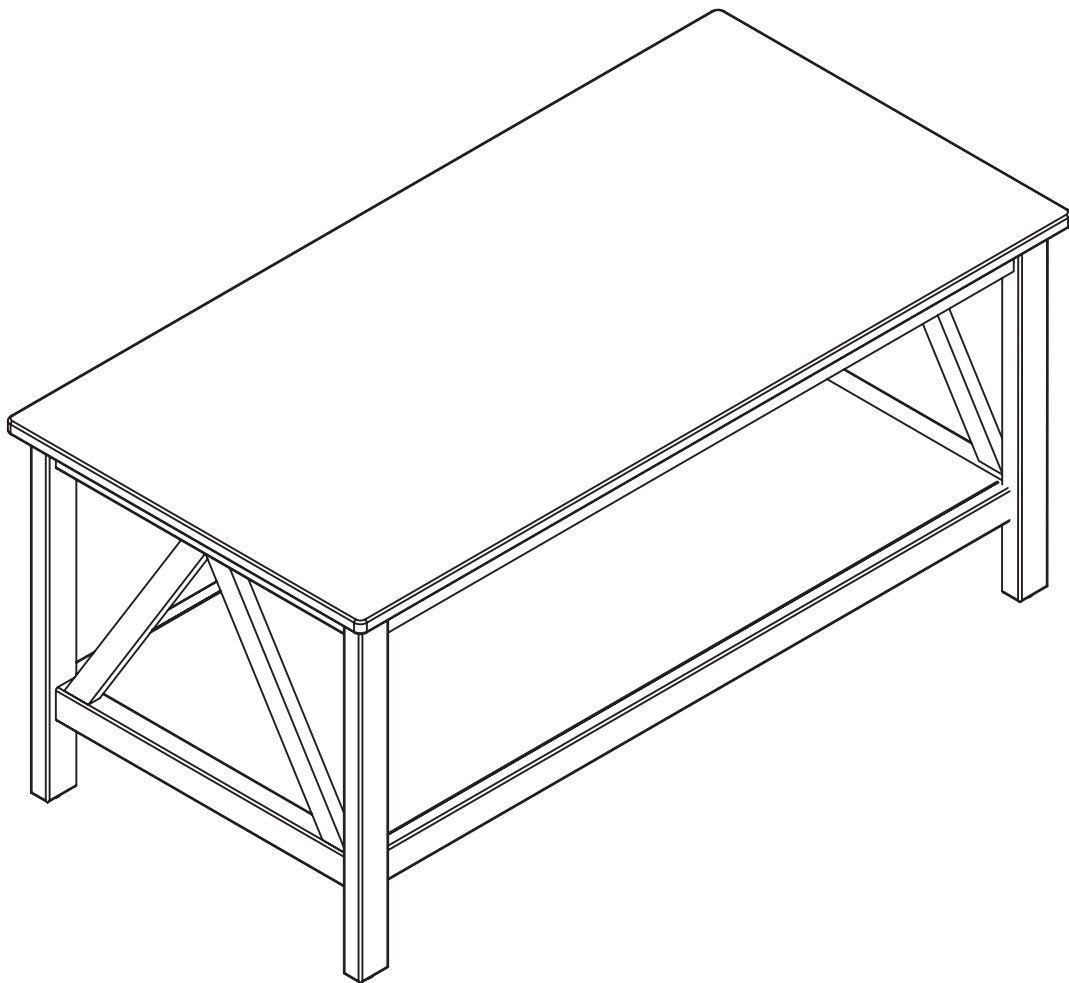




LINON HOME DECOR PRODUCTS, INC.

ASSEMBLY INSTRUCTIONS



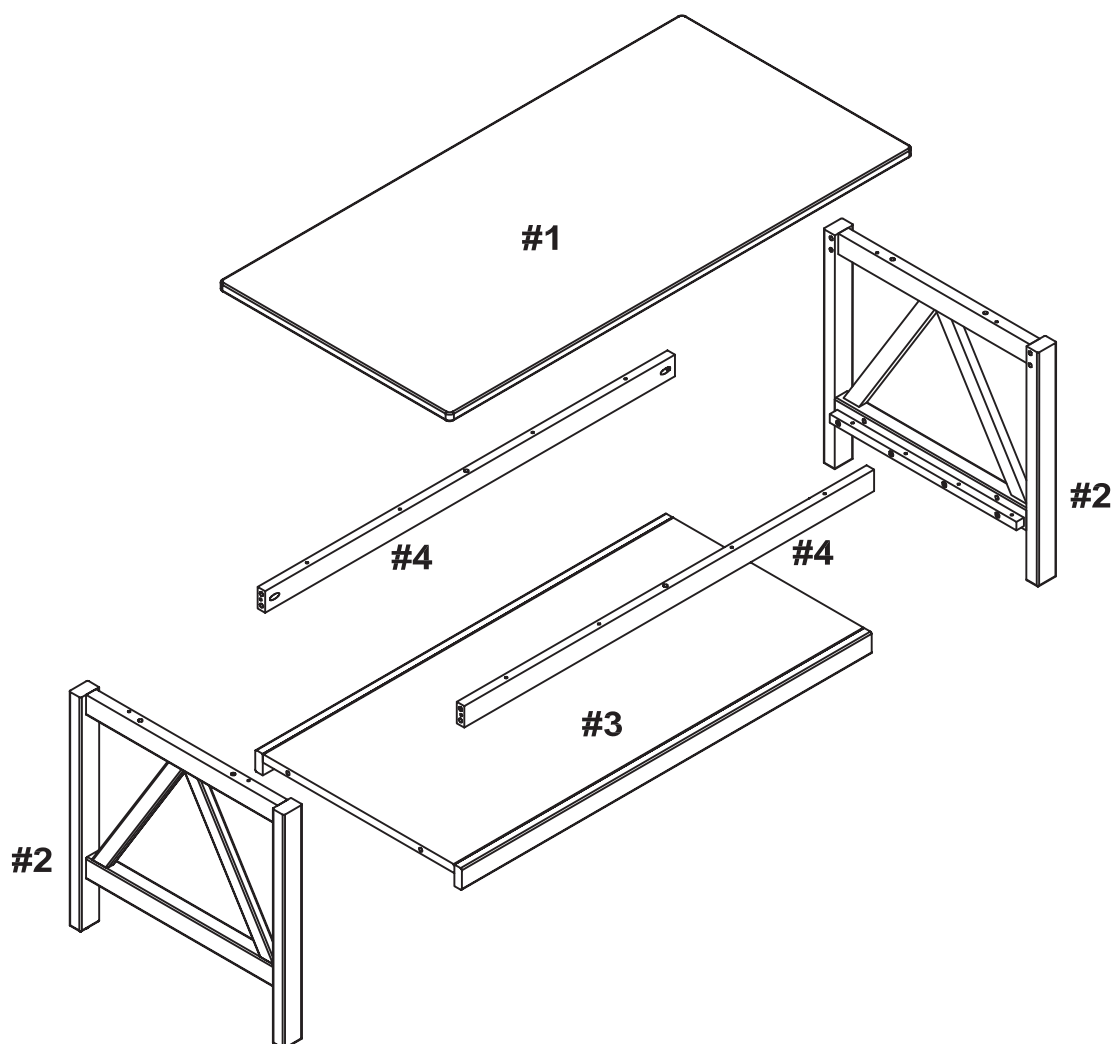
MADE IN CHINA
FOR LINON HOME DECOR PRODUCTS INC BY CH46



LINON HOME DECOR PRODUCTS, INC.

PARTS IDENTIFICATION

ITEM	DESCRIPTION	QTY
#1	TOP PANEL	01
#2	SIDE PANEL	02
#3	BOTTOM PANEL	01
#4	TOP RAIL	02



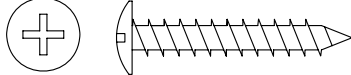
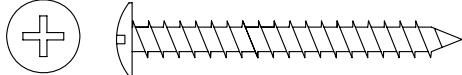
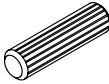
For ease of identification all parts are labeled to correspond to the Step number in which the part is used.



LINON HOME DECOR PRODUCTS, INC.

HARDWARE IDENTIFICATION

Please line up the hardware with the correct full size image to make sure you are installing the hardware correctly.

ITEM	PICTURE	DESCRIPTION	QTY
A		(Ø4x30mm) Full Size	SCREW 12
B		(Ø4x45mm) Full Size	SCREW 12
C		(Ø8x30mm) Not to Scale	WOODEN DOWEL 18

Tools required



Long screwdriver



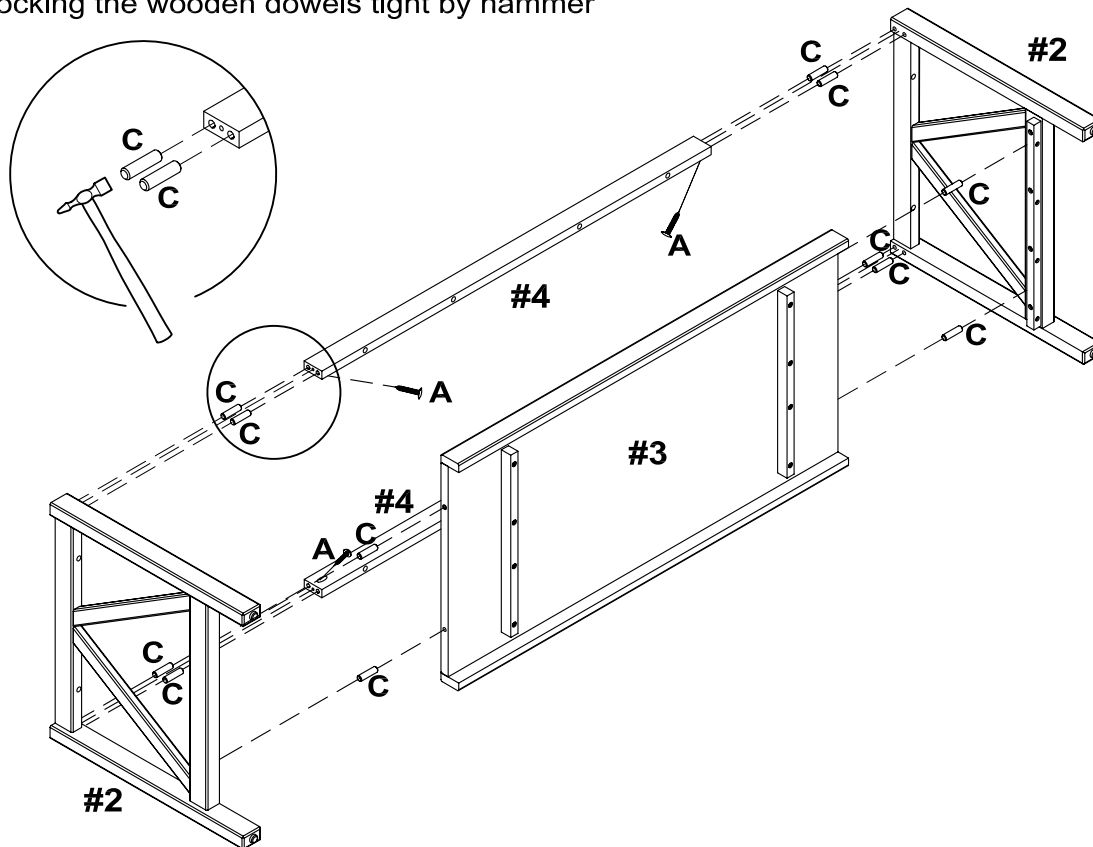
Small
hammer



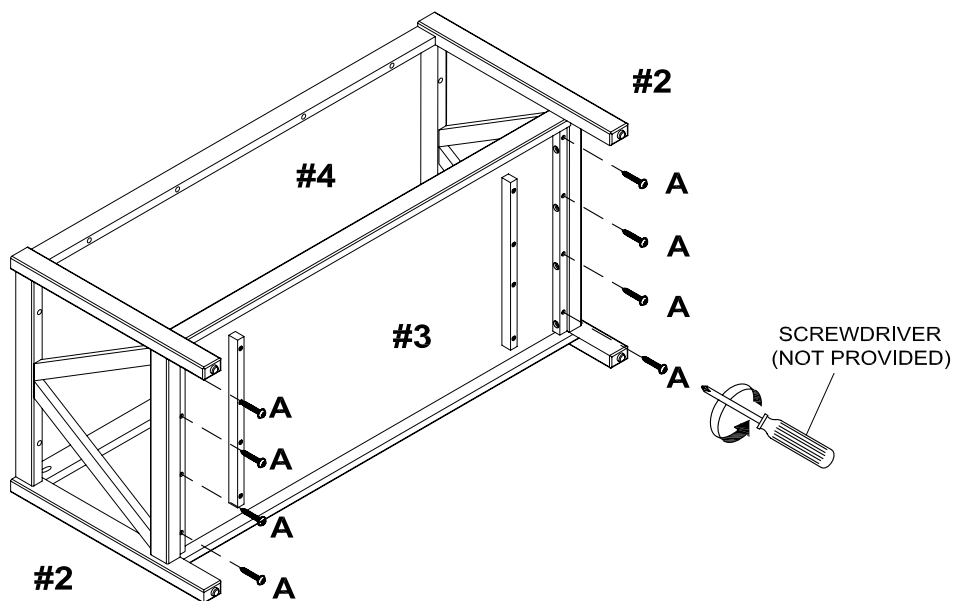
LINON HOME DECOR PRODUCTS, INC.

STEP 1.

knocking the wooden dowels tight by hammer



STEP 2.



IMPORTANT:

1. DO NOT OVER TIGHTEN SCREWS TO AVOID STRIPPING.



LINON HOME DECOR PRODUCTS, INC.

STEP 3.

knocking the wooden dowels tight by hammer

