

>> assembly instructions

## table of contents

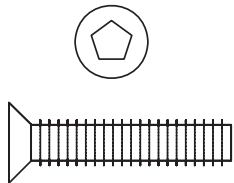


introduction	2
hardware	4
parts list	5
how to use the allen wrench	6
assembly	7-8

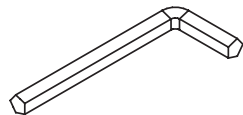
# hardware

---

(H1) x 8  
flat-head screw



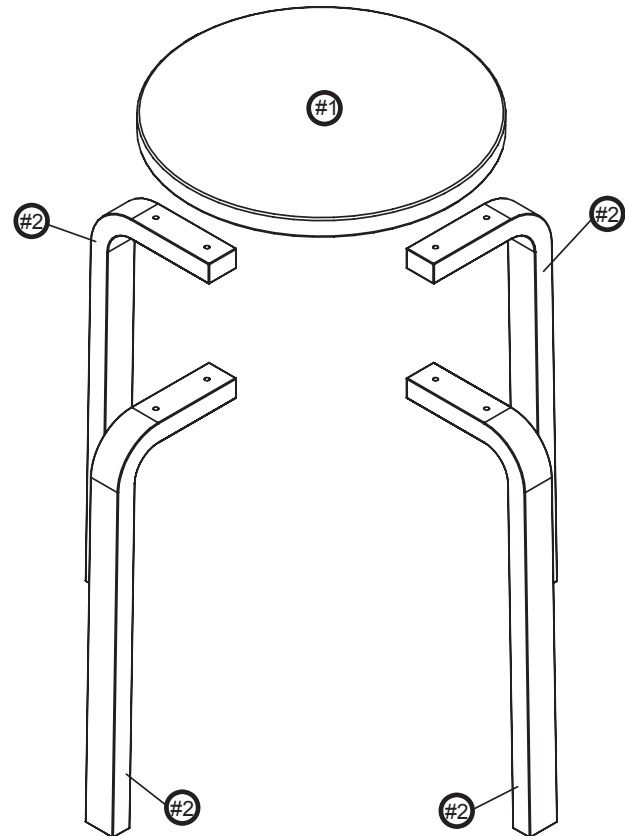
(H2) x 1  
allen wrench



ITEM DESCRIPTION QUANTITY

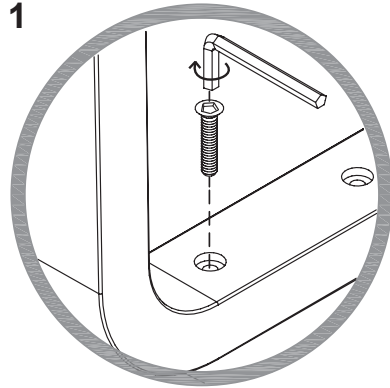
.....

#1	top panel	1
#2	leg	4



# How to use the allen wrench

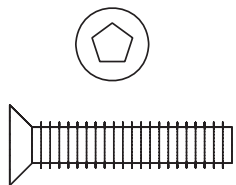
---



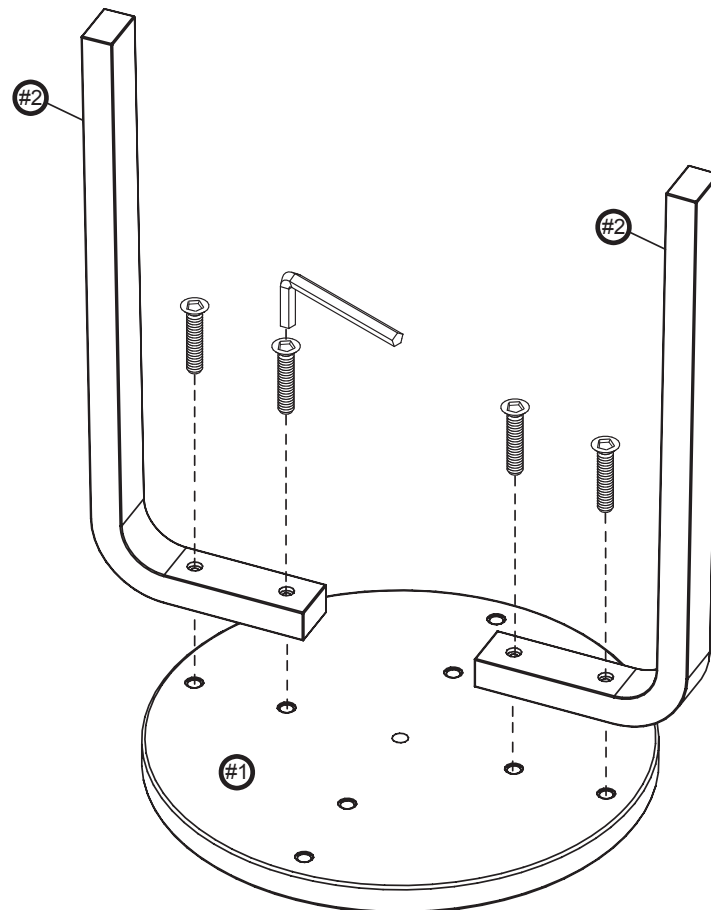
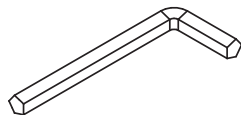
# step 1.

---

(H1) x 4  
flat-head screw



(H2) x 1  
allen wrench

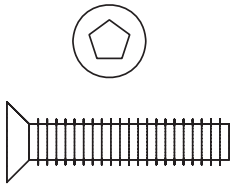


## step 2.

---

---

**(H1) x 4**  
flat-head screw



**(H2) x 1**  
allen wrench

