



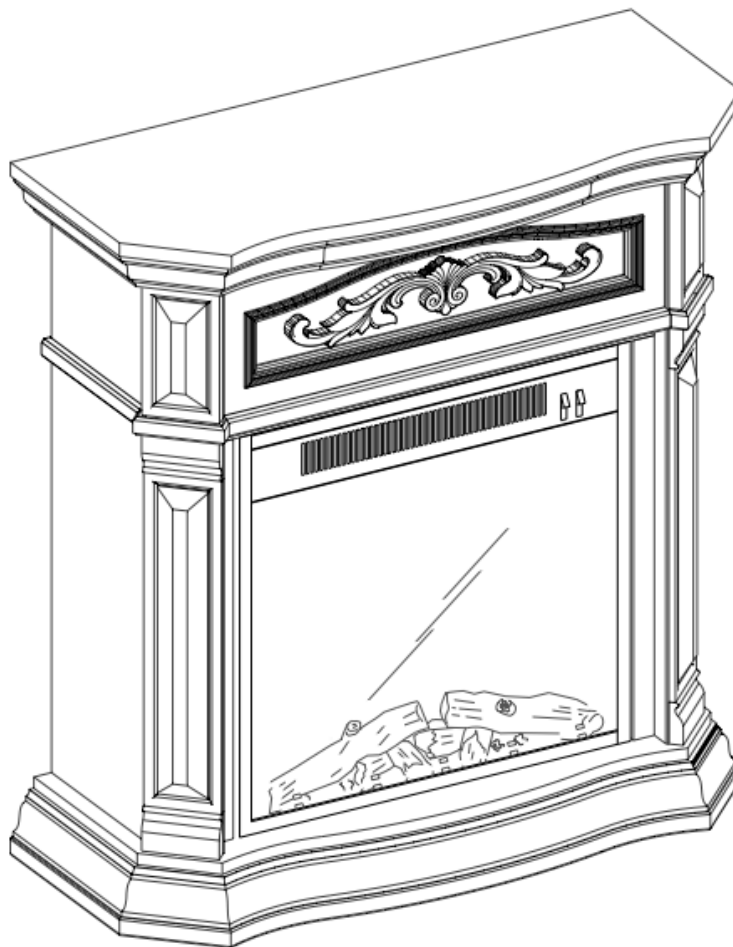
**FEBO (HK) INTERNATIONAL LIMITED**

TOLL FREE: 1-877-355-3326 EMAIL: SERVICE@FEBOINTERNATIONAL.COM

## **PETITE FOYER FIREPLACE WITH 18IN ULTRA-THIN INSERT**

SKU NO.: 61204005-810392477

ITEM NO.: F18-C-035-003



### **IMPORTANT INSTRUCTIONS**

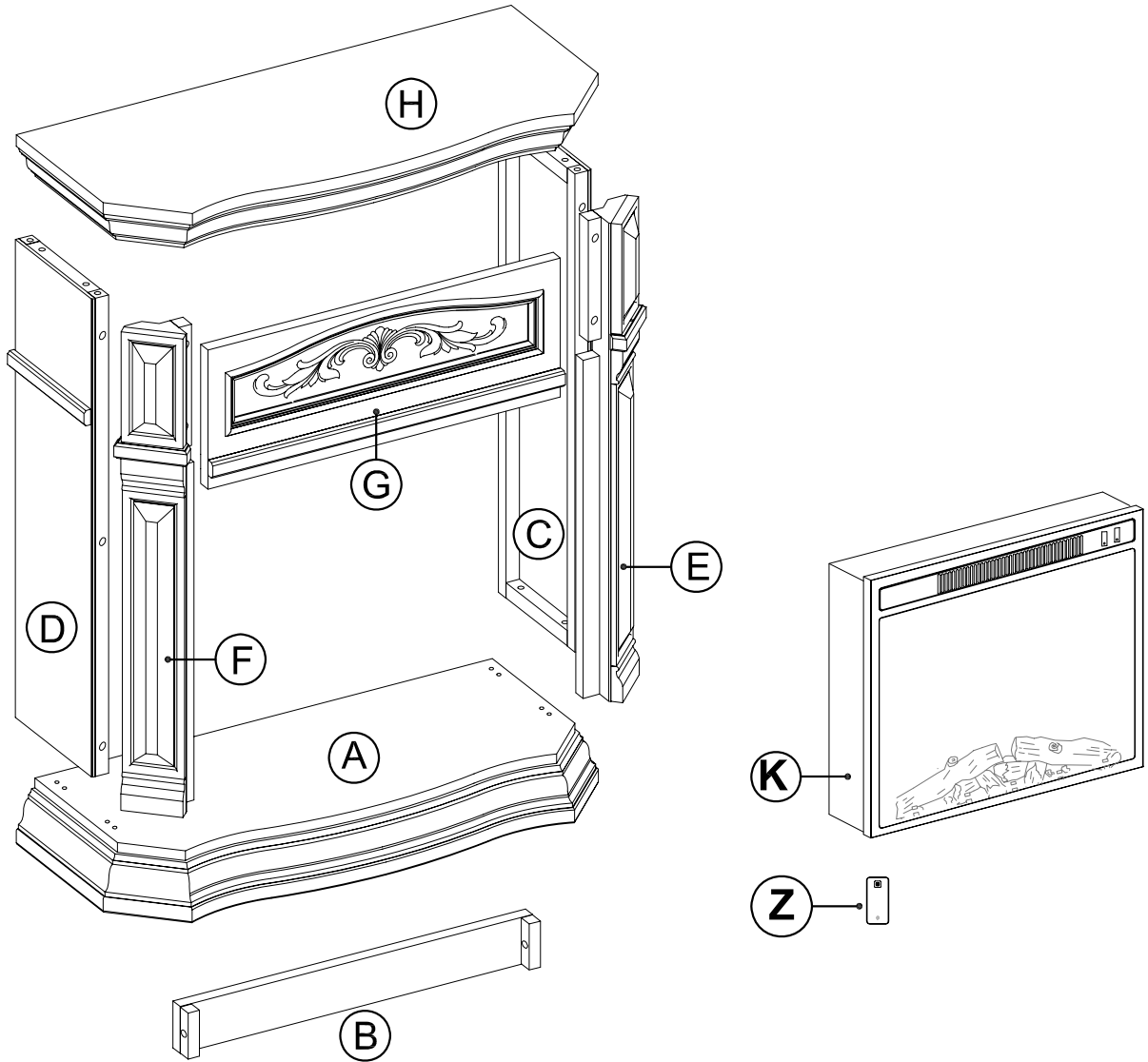
**Please read Electric Fireplace User Manual before assembly and install.**

\*Please do not return any products to the store, for any missing or replacement parts of electric fireplace insert, wood pieces or hardware, please contact FEBO Customer Service.

Email: [service@febointernational.com](mailto:service@febointernational.com), Phone: 1-877-355-3326 or 1-925-820-8478

Working Hours: Monday - Friday, 9:00AM - 4:00PM (Pacific Standard Time)

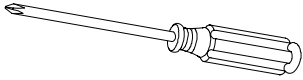
# PARTS LIST

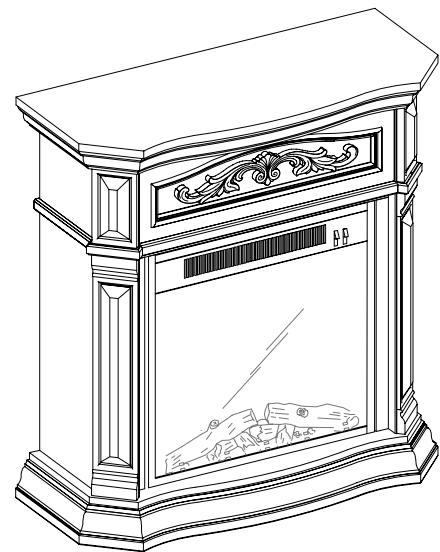


PART	DESCRIPTION	QUANTITY
A	Bottom Panel	1
B	Bottom Rail	1
C	Right Side Panel	1
D	Left Side Panel	1
E	Right Side Post	1


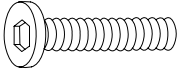



PART	DESCRIPTION	QUANTITY
F	Left Side Post	1
G	Front Panel	1
H	Top Panel	1
K	Electric Insert	1
Z	Remote Control	1

## TOOLS RECOMMENDED

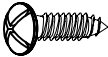
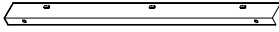
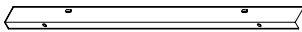
TOOLS NEEDED:
PHILLIPS SCREW DRIVER

(NOT INCLUDED)



## CABINET HARDWARE

1	1PC	Ø4mm	2	20PCS	1/4"*32mm	3	18PCS	Ø1/4"
ALLEN WRENCH			ALLEN BOLT			SPRING WASHER		
								
4	18PCS	Ø1/4"	5	8PCS	Ø6*25mm			
FLAT WASHER			WOOD DOWEL					
								

## HARDWARE LIST FOR THE ELECTRIC FIREPLACE INSERT


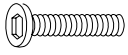
7	14 PCS	Ø4mm*10mm	8	2PCS		9	1 PC	
SCREW			L shape holder-side			L shape holder-top		
								



# CABINET ASSEMBLY

PARTS LIST :

Ⓐ Ⓑ

HARDWARE LIST:

1		1 PC
2		2PCS

3		2PCS
4		2PCS

## CAUTION:

2 Adults required for assembly.

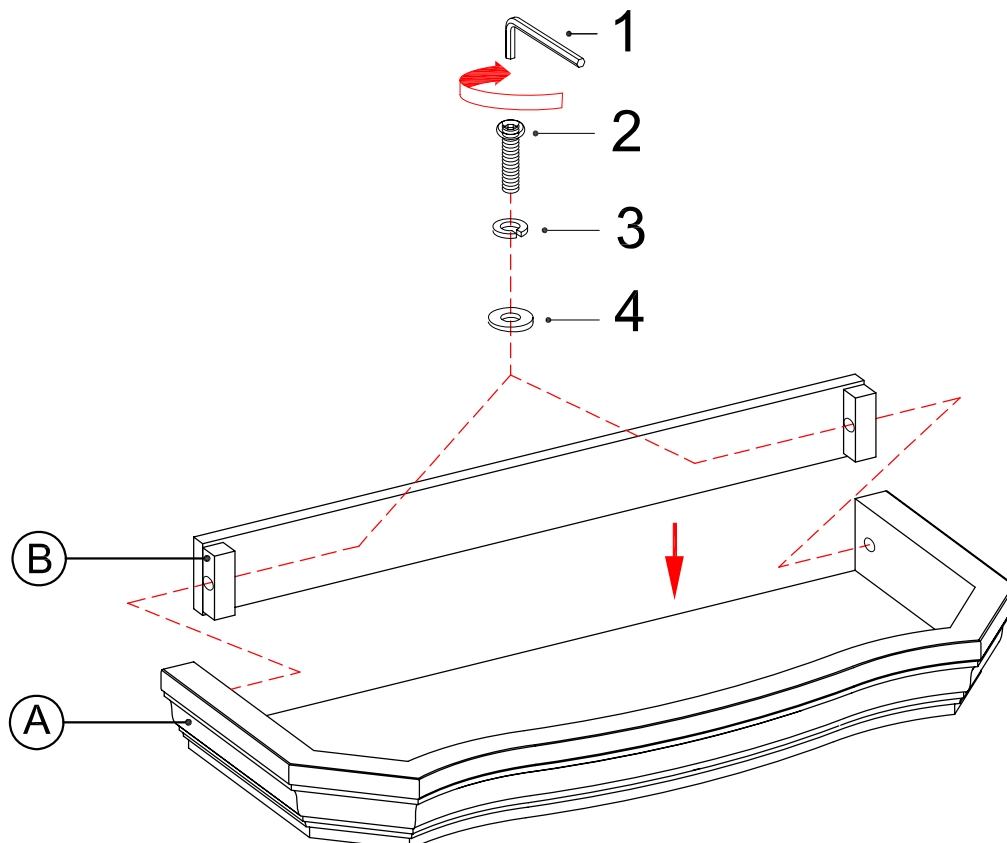
Do not use power tools in assembly.

Before assembly, please check the parts list and hardware list carefully.

Please start the assembly steps on a soft flat surface to avoid scratching.

## Step 1:

Attach Bottom Rail (B) to Bottom Panel (A) using Flat Washer (3), Spring Washer (4) and Allen Bolt (2) with Allen Wrench (1) and fully tighten Allen Bolts.


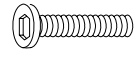





# CABINET ASSEMBLY

PARTS LIST :

Ⓐ   Ⓒ   Ⓓ

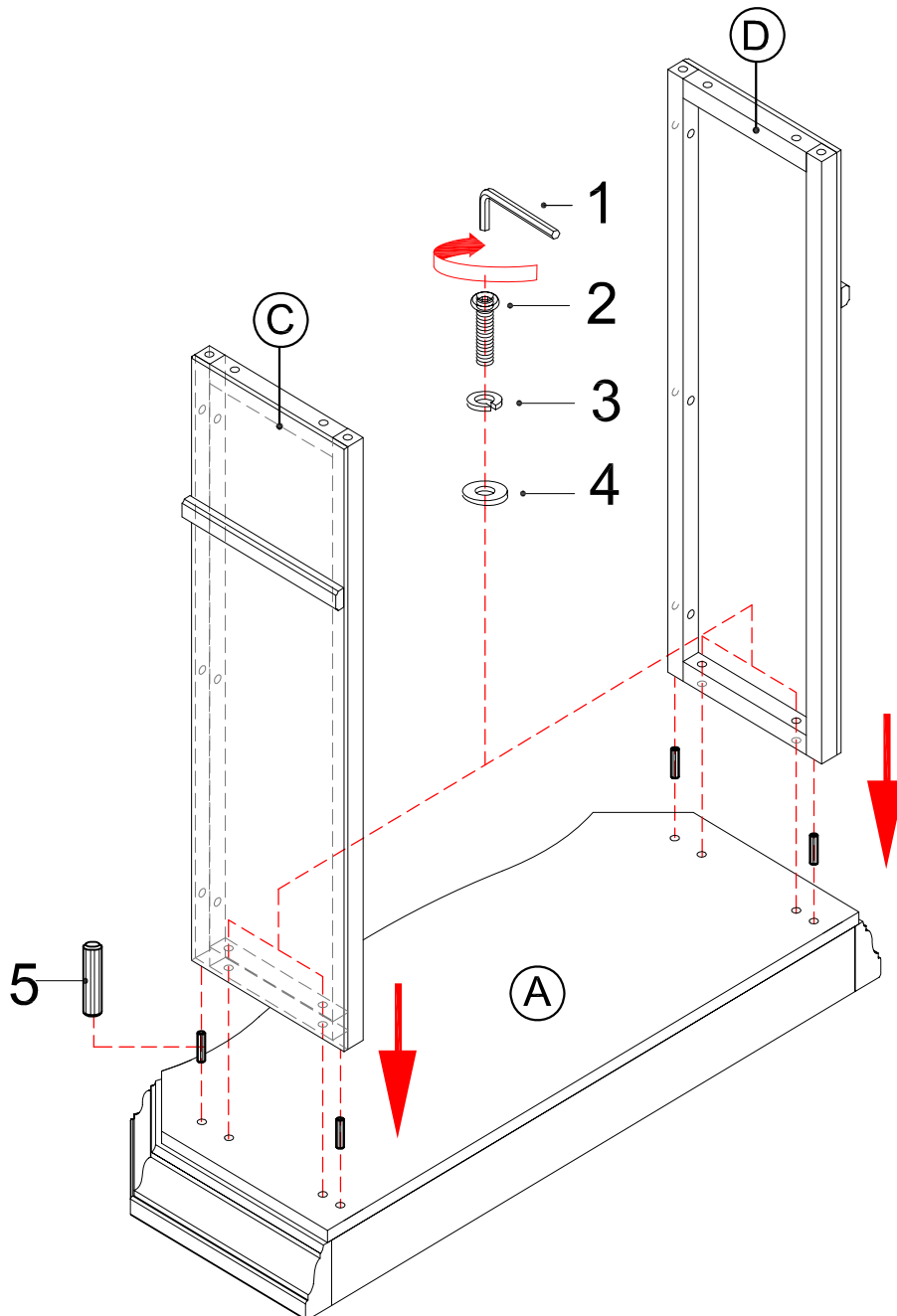
HARDWARE LIST:

1		1 PC
2		4PCS

3		4PCS
4		4PCS
5		4PCS

Step 2:

Attach Right Side Panel (C) and Left Side Panel (D) to Bottom Panel (A) using Flat Washer (3), Spring Washer (4) and Allen Bolt (2) with Allen Wrench (1). Do Not fully tighten Bolts at this time.







# CABINET ASSEMBLY

PARTS LIST :

(C) (D) (E) (F)

HARDWARE LIST:

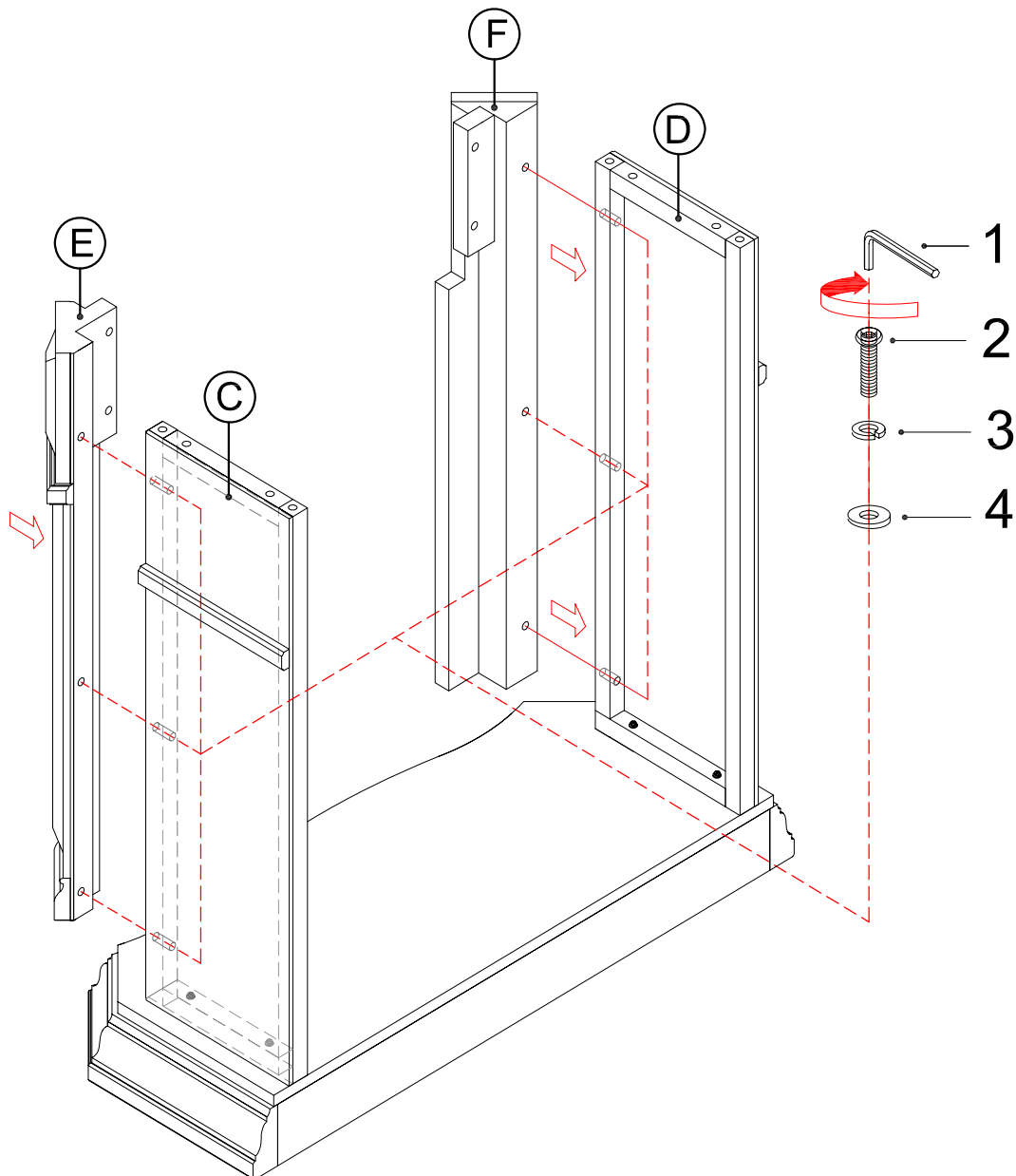
1		1 PC	3		6PCS
2		6PCS	4		6PCS

Step 3:

Attach Right Side Post (E) to Right Side Panel (C) using Flat Washer (3), Spring Washer (4) and Allen Bolt (2) with Allen Wrench (1).

Do Not fully tighten Bolts at this time.

Repeat this process to attach Left Side Post (F) to Left Side Panel (D).

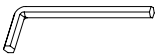





# CABINET ASSEMBLY

PARTS LIST :

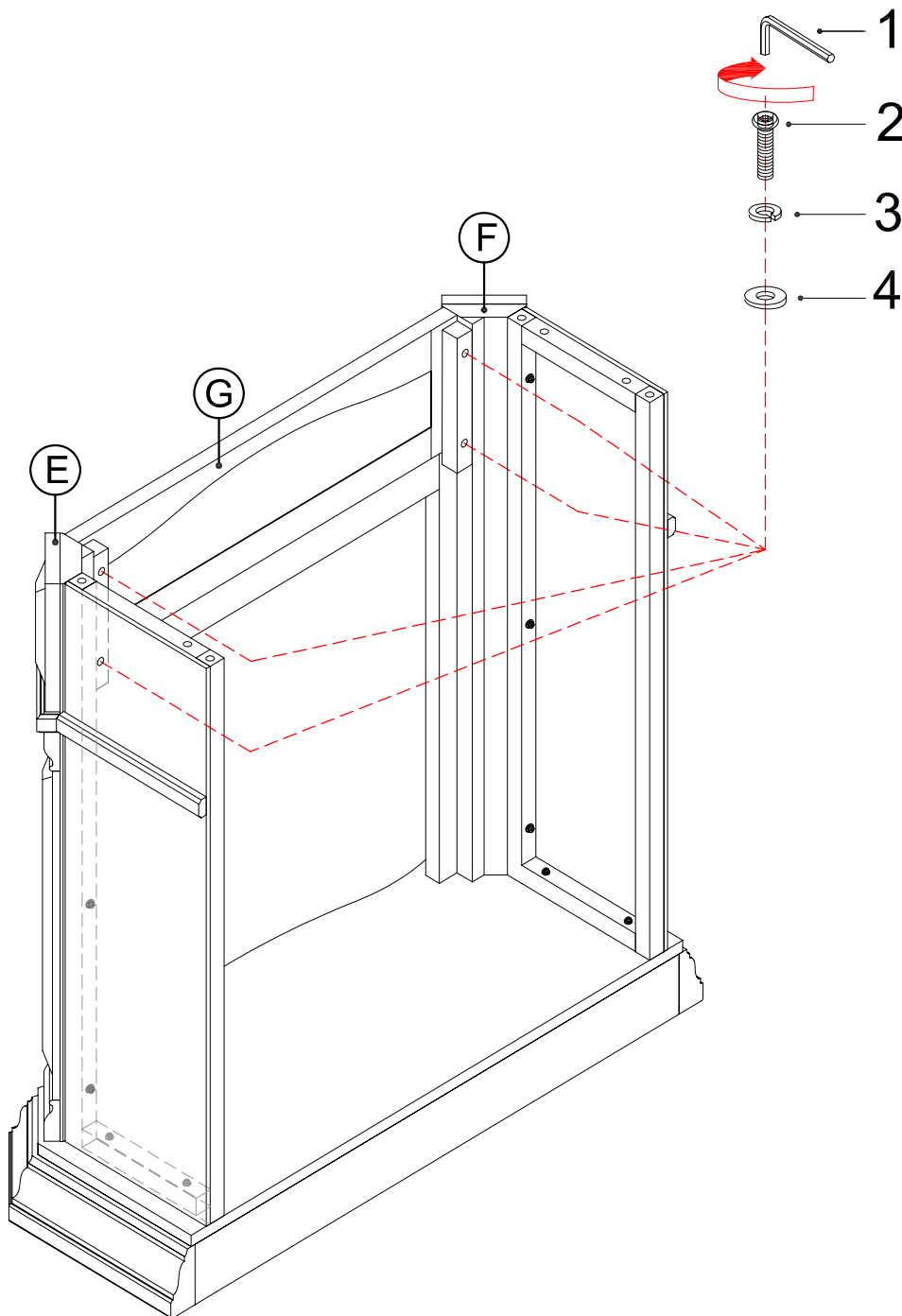
(E) (F) (G)

HARDWARE LIST:

1		1 PC	3		4PCS
2		4PCS	4		4PCS

Step 4:

Attach the Front Panel (G) to Right Side Post (E) and Left Side Post (F) using Flat Washer (3), Spring Washer (4) and Allen Bolt (2) with Allen Wrench (1). Do Not fully tighten Bolts at this time.

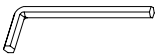






# CABINET ASSEMBLY

PARTS LIST :

(C)   (D)   (H)

HARDWARE LIST:

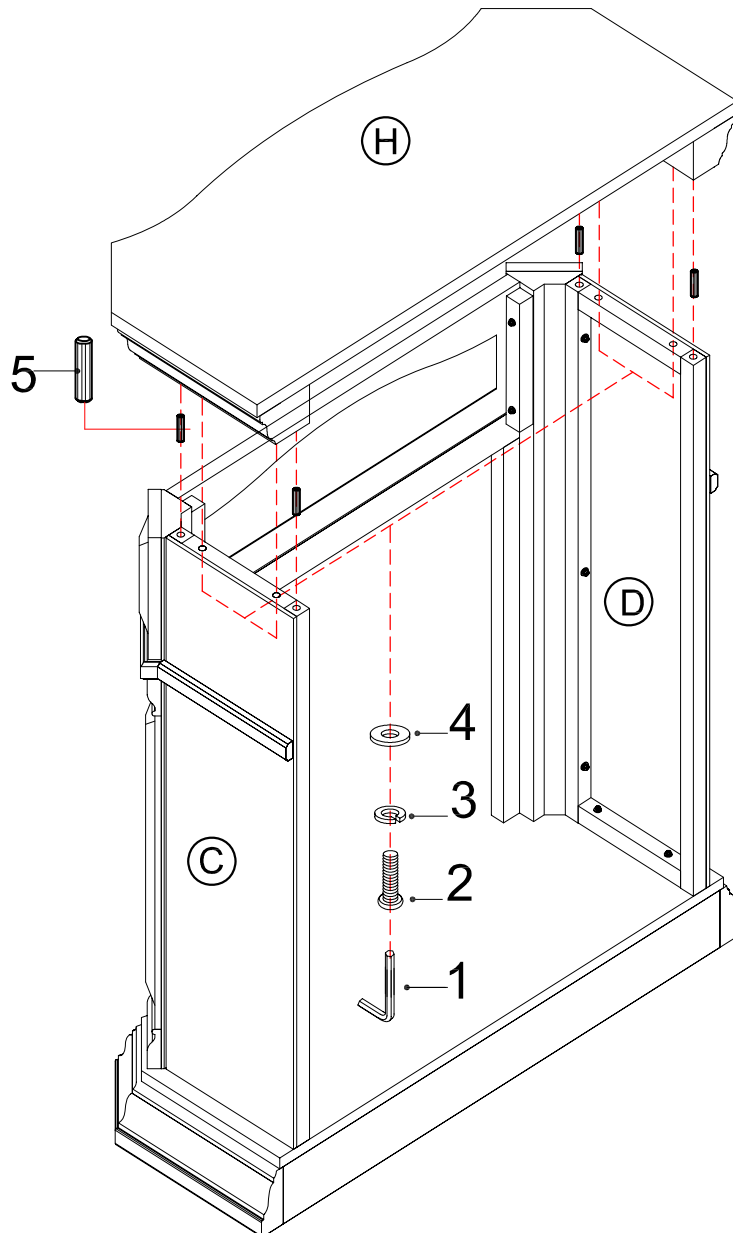
1		1 PC
2		4PCS

3		4PCS
4		4PCS
5		4PCS

**Step 5:**

Attach Top Panel (H) to Right Side Panel (C) and Left Side Panel (D) using Wood Dowel (5), Flat Washer (3), Spring Washer (4) and Allen Bolt (2) with Allen Wrench (1). Do Not fully tighten Bolts at this time.

**Align all panels and fully tighten all Allen Bolts (2) from Step 2 through Step 5.**







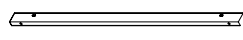
# FIREPLACE INSERT ASSEMBLY

PARTS LIST :

(K)

HARDWARE LIST:

7		6 PCS
8		2 PCS

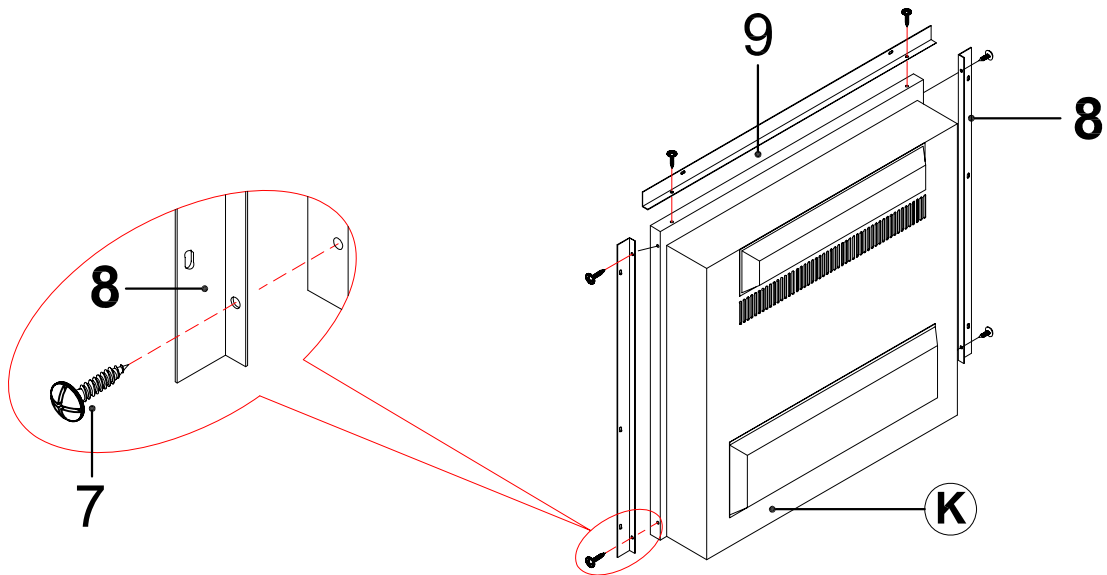
9		1 PC
---	---	------

TOOLS RECOMMENDED: 

**CAUTION :** Over tightening Screws may result in loose screws

**CHECK:** Check the assembly steps before tightening all the screws.

**Step 6:** Secure the L Shape Holder-side (8) and L Shape Holder-top (9) to the Electric Insert (K) using 6 pcs Screws (7).



# FIREPLACE INSERT ASSEMBLY

PARTS LIST :

(K)

HARDWARE LIST:

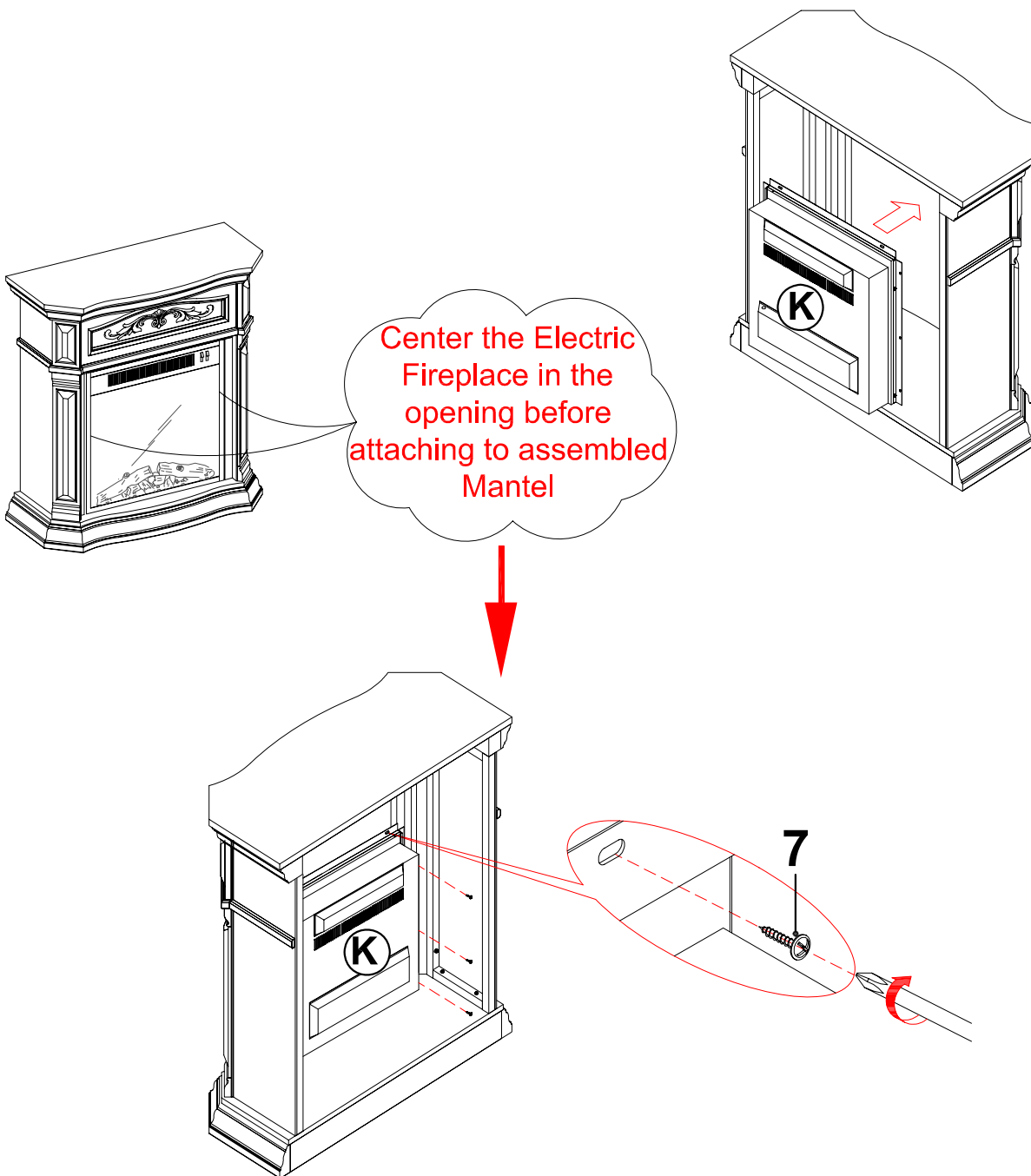
7



8 PCS

Step 7:

Place the Electric Insert (K) into the assembled Mantel. Attach the Electric Insert to the Assembled Mantel with Screw (7) using Phillips Screwdriver.



Assembly is Now Complete. Your Petite Foyer Fireplace is ready for use.