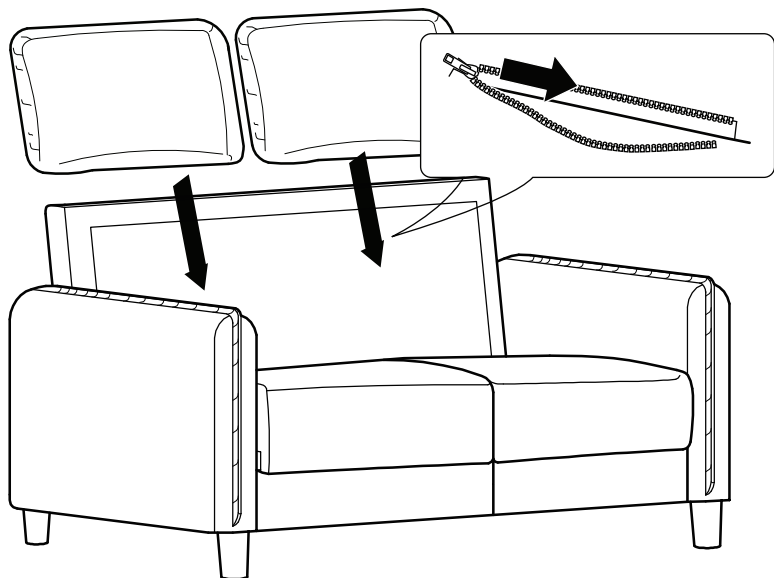
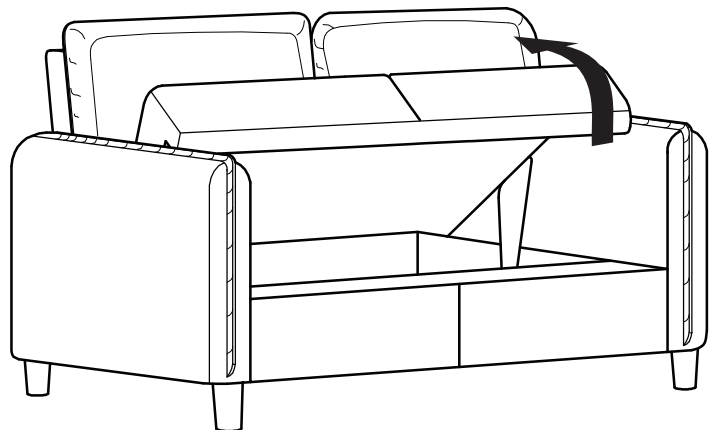


- 4** Secure the back cushion by locating the zipper end. Fasten both sides and continue all the way to the end. Flip the pillow into position when finished.

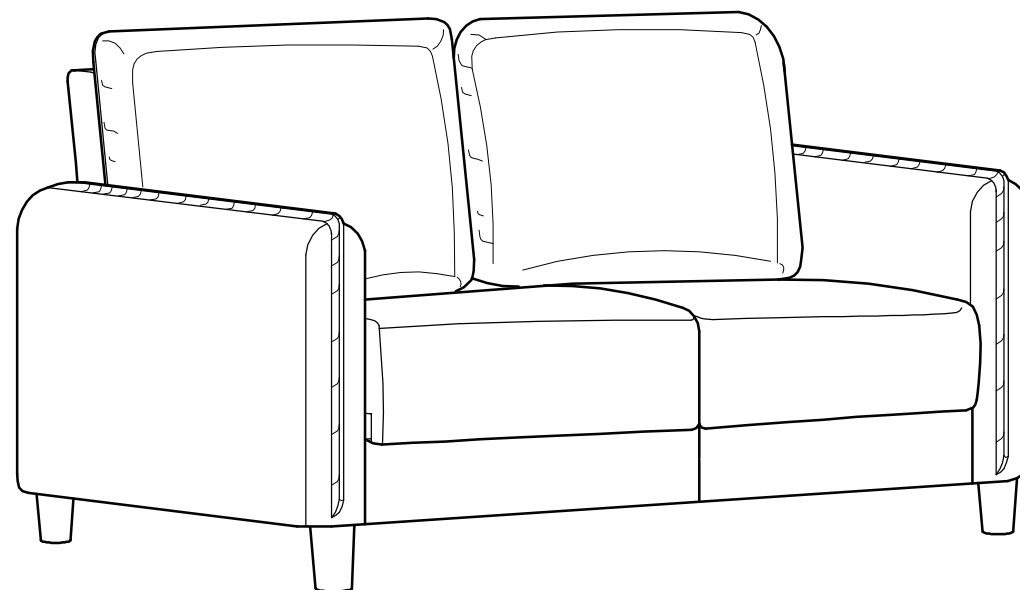


OPERATING YOUR UNIT

Standing in the front of the unit, lift the seat. Then you can access the storage compartment.



LIFESTYLE
SOLUTIONS

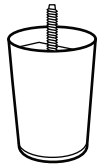


LOVESEAT

ASSEMBLY INSTRUCTIONS

PARTS AND HARDWARE

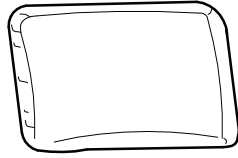
Avoid using sharp objects such as a knife to open packing as you may accidentally damage the upholstery.



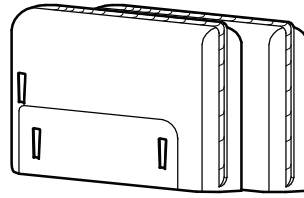
Leg
4x



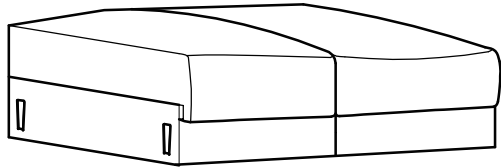
M10 Washer
(Outer Dim. 45mm)
4x



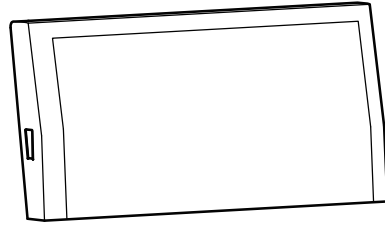
Back Cushion
2x



Arm
1 Pair



Seat Body
1x



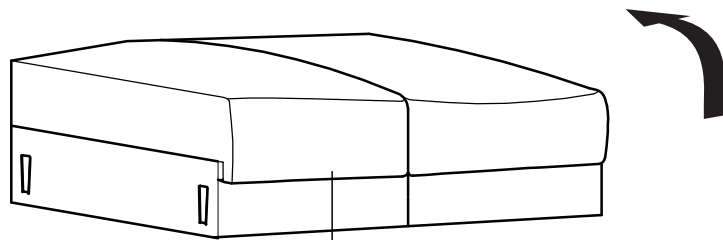
Backrest
1x

ASSEMBLY INSTRUCTIONS

CAUTION: At least two adults are required to safely complete performing this task.
Other lifting attempts may risk back injury due to large and heavy part(s).

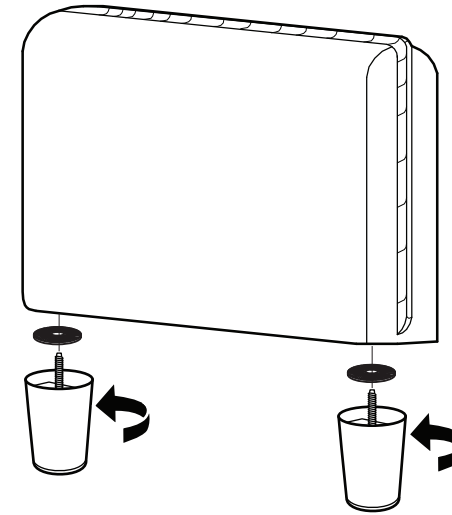


- 1 Carefully unpack parts/hardware from the storage of the seat body and place on a clean flat surface.



Storage

- 2 Place both arms as shown below, secure two legs and plastic washers into pre-drilled holes on the bottom of arms. Please avoid overtightening.



- 3 Carefully lift and turn assembled arms onto its legs. Insert the seat body metal plates into both arms as shown below. Ensure it is correctly in place.

