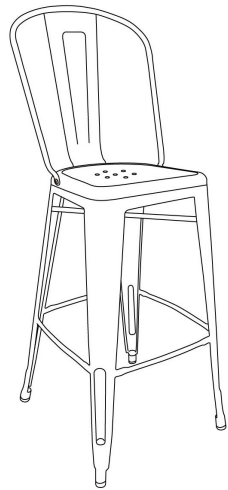
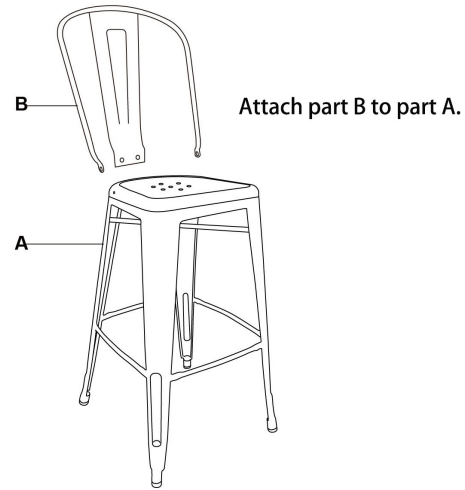


ASSEMBLY INSTRUCTION

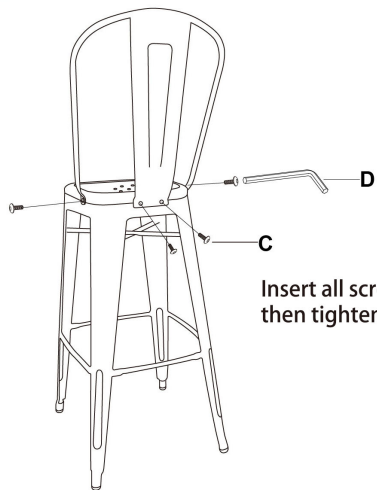


①



HARDWARE LIST	GODE	PARTS	QTY
	A	SEAT	
B	BACK		1

②





Insert all screws in the holes, then tighten the screws to 100%.

③

A few days after initial assembly, the product may acclimate to its new environment. Please ensure all screws are still securely tightened.



HARDWARE LIST	GODE	PARTS	QTY
	C	M6x16mm	
D	ALLEN KEY		1

* Tool kit is attached to the back *

Get social with us and discover more about our products, tips and exclusive discounts!



Visit our YouTube channel for product assembly demonstrations