









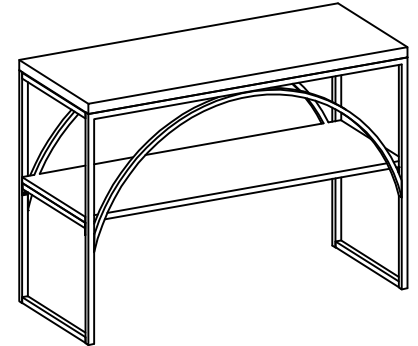


ASSEMBLY INSTRUCTIONS

7332-49 Console table Part List

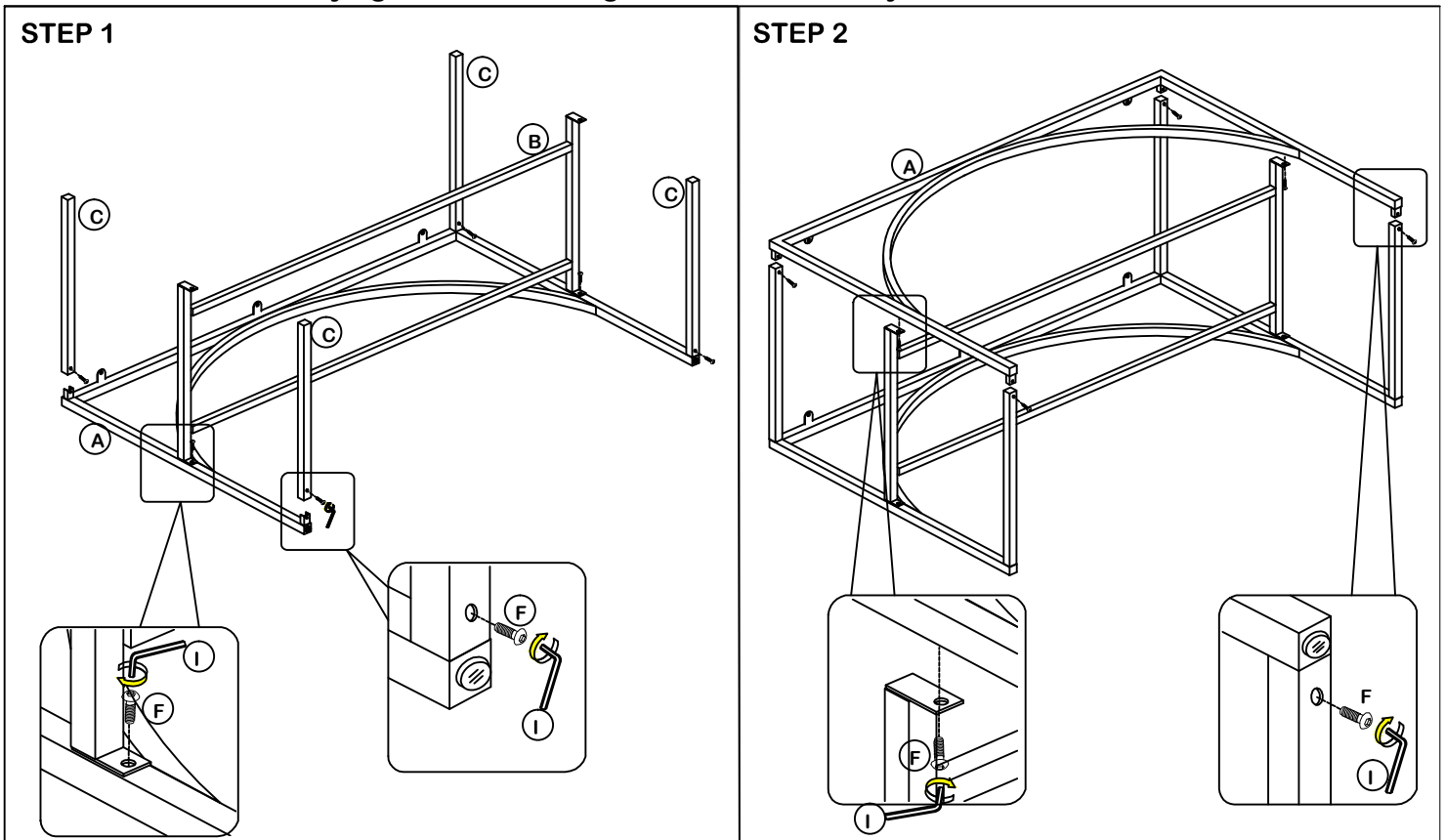
PART	DRAWING	DESCRIPTION	QTY	PART	DRAWING	DESCRIPTION	QTY
A		Console Table Leg	2	F		Bolt 1/4*12mm	12
B		Shelf Frame	1	G		Screw	6
C		Stretcher	4	H		Screw	6
D		Table Top	1	I		Allen Key (M4)	1
E		Shelf	1	J		Leveler (pre-assembled)	4



Console table
Assembled

NOTED: If needed, only part F-I are available for replacement.

IMPORTANT: Do not fully tighten the bolts. Tighten all the bolts only on a level surface



United Wood Products, Inc. Customer Service Contact Information:

Toll Free Phone Number: 1-800-458-7212

Email: consumercare@ufifurniture.com

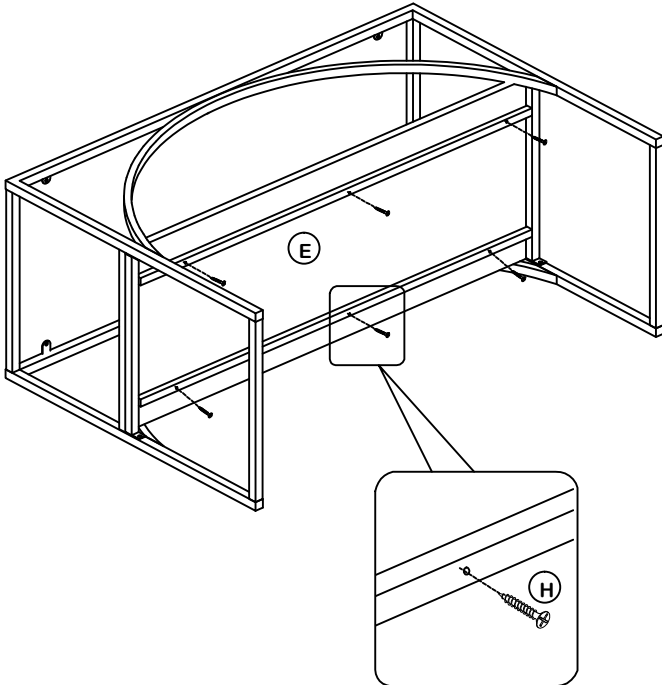
Website: www.unitedfurnitureindustries.com

PLEASE NOTE: With use, screw may become loose & must be tightened periodically.

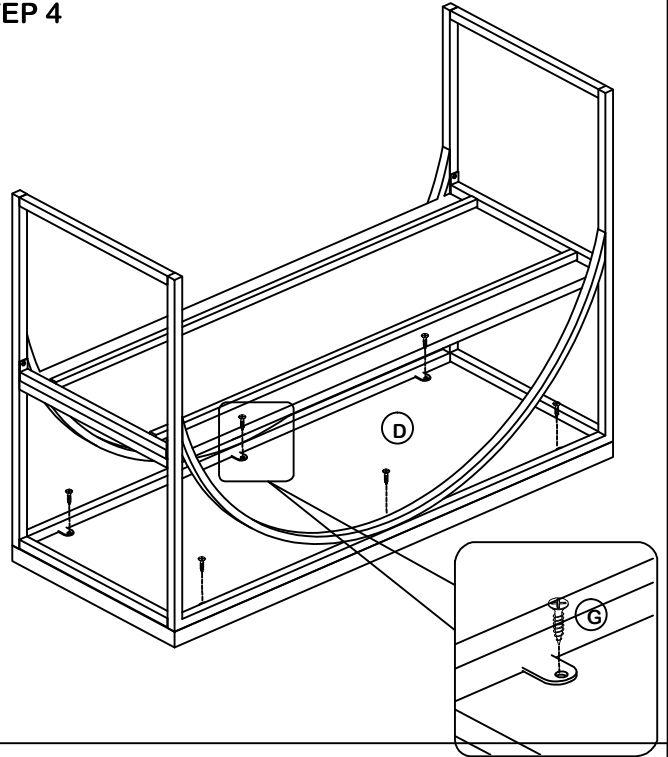
MADE IN CHINA

ASSEMBLY INSTRUCTIONS

STEP 3



STEP 4



(a) x 2
Wall Anchor



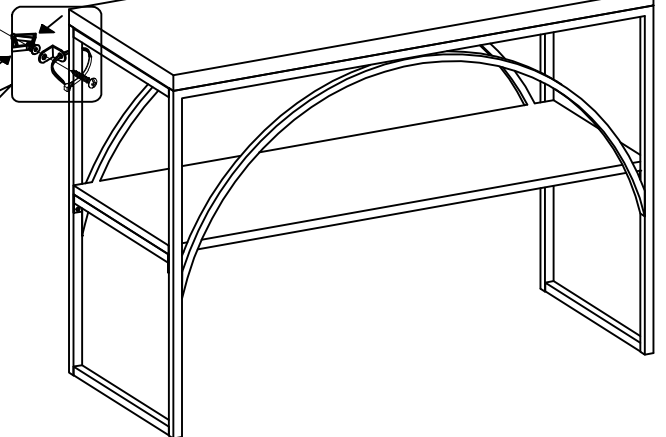
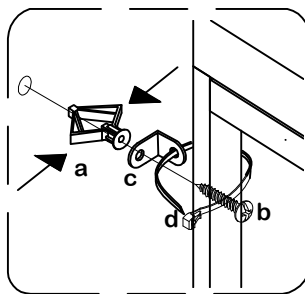
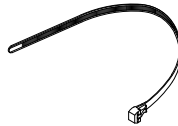
(b) x 2
Wall Screw



(c) x 2
Wall Bracket



(d) x 2
Nylon Strap



United Wood Products, Inc. Customer Service Contact Information:

Toll Free Phone Number: 1-800-458-7212

Email: consumercare@ufifurniture.com

Website: www.unitedfurnitureindustries.com

PLEASE NOTE: With use, screw may become loose & must be tightened periodically.

MADE IN CHINA