







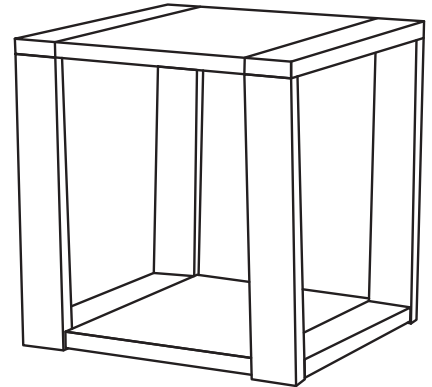


ASSEMBLY INSTRUCTIONS

7582-47 END TABLE PART LIST

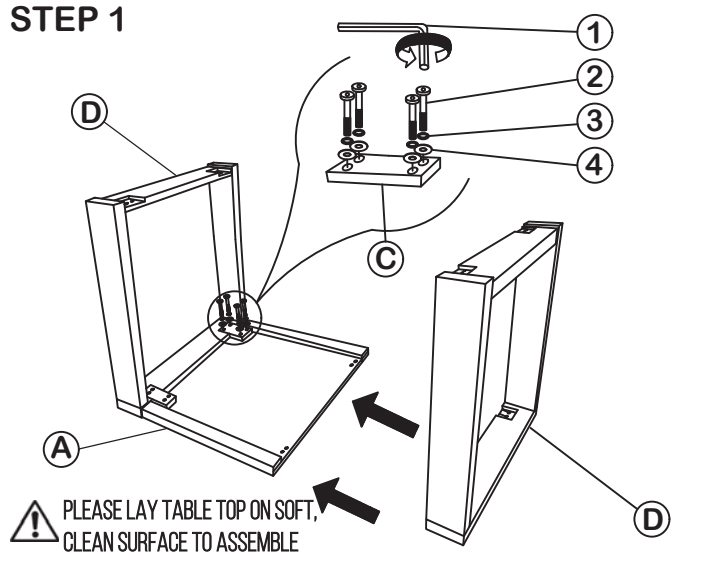
PART	DRAWING	DESCRIPTION	QTY	PART	DRAWING	DESCRIPTION	QTY
A		TABLE TOP	1	1		ALLEN KEY M4x60MM	1
B		BOTTOM SHELF	1	2		SCREW M6x30MM	32
C		MOUNTING PLATE	8	3		SPRING WASHER M6	32
D		LEG	2	4		FLAT WASHER M6	32



COMPLETED END
TABLE ASSEMBLY

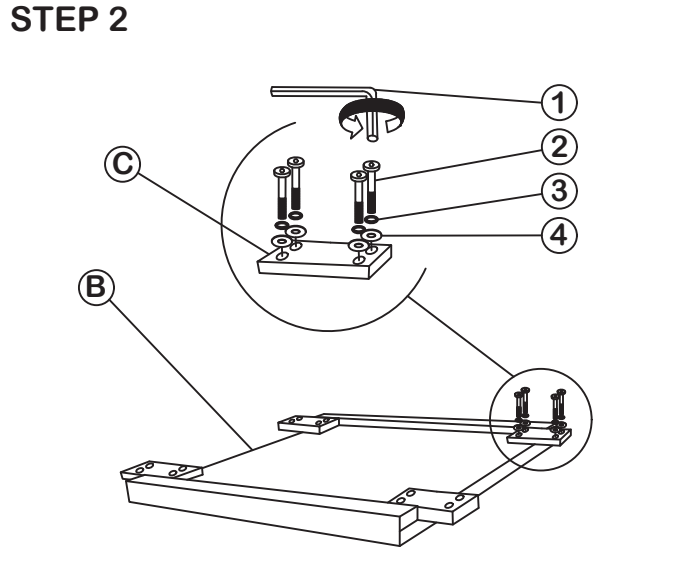
Note: If needed, only part 1-4 are available for replacement.

STEP 1

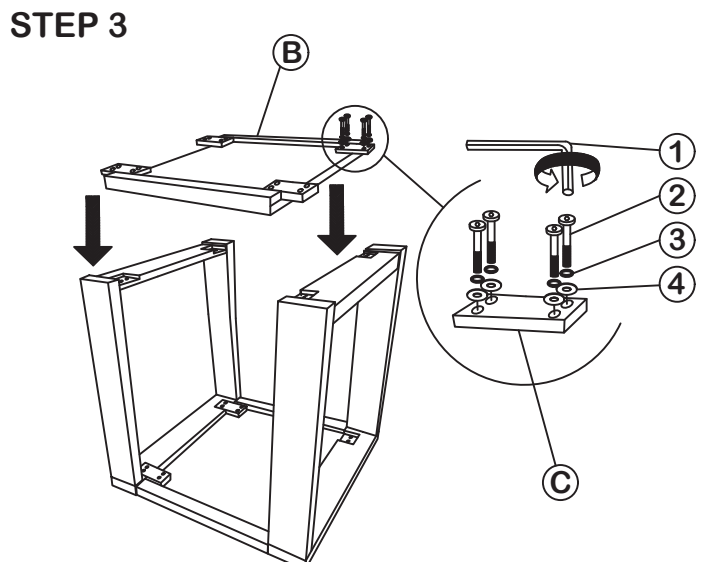


PLEASE LAY TABLE TOP ON SOFT, CLEAN SURFACE TO ASSEMBLE

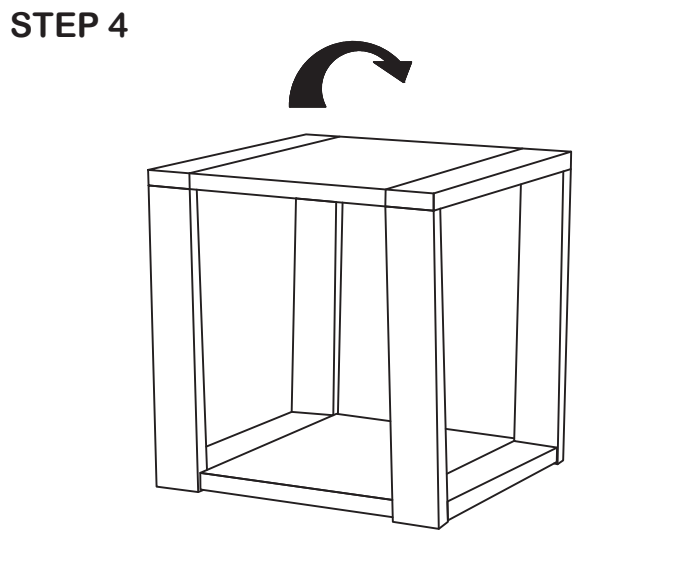
STEP 2



STEP 3



STEP 4



United Wood Products, Inc. Customer Service Contact Information:

Toll Free Phone Number: 1-800-458-7212

Email: consumercare@uffurniture.com

Website: www.unitedfurnitureindustries.com

PLEASE NOTE: With use, screw may become loose & must be tightened periodically.

MADE IN MALAYSIA