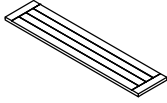

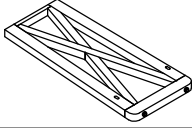
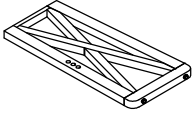
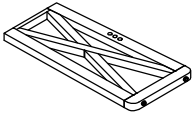
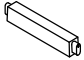
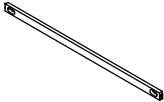




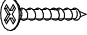






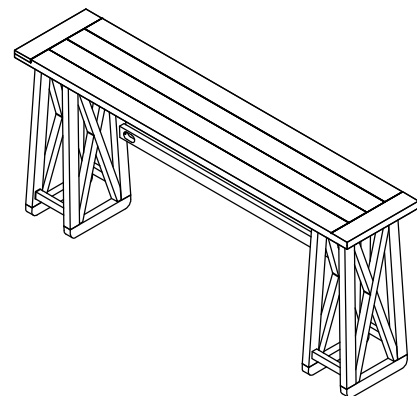
ASSEMBLY INSTRUCTIONS

7042-40 SOFA BAR PART LIST

PART	DRAWING	DESCRIPTION	QTY
A		TABLE TOP	1
B		MOUNTING PLATE	2
C		OUTER LEGS	2
D		RIGHT INNER LEG	1
E		LEFT INNER LEG	1
F		SHORT STRETCHERS	4
G		BACK STRETCHER	1

PART	DRAWING	DESCRIPTION	QTY
H1		BOLT (Ø1/4" * 1-1/2")	16
H2		SPRING WASHER (Ø1/4")	16
H3		FLAT WASHER (Ø1/4")	16
H4		ALLEN KEY (M4)	1
H5		SCREW (M4* 1-1/2")	8
H6		HANGER BOLT (Ø5/16" * 3")	2
H7		HALF-MOON WASHER (5/16")	2
H8		HEX NUT (5/16")	2
H9		SPANNER (5/16")	1

NOTE: If needed, only part H1 - H9 are available for replacement.



**COMPLETED SOFA BAR
ASSEMBLY**



United Wood Products, Inc. Customer Service Contact Information:

Toll Free Phone Number: 1-800-458-7212

Email: consumercare@ufifurniture.com

Website: www.unitedfurnitureindustries.com

PLEASE NOTE: With use, screw may become loose & must be tightened periodically.

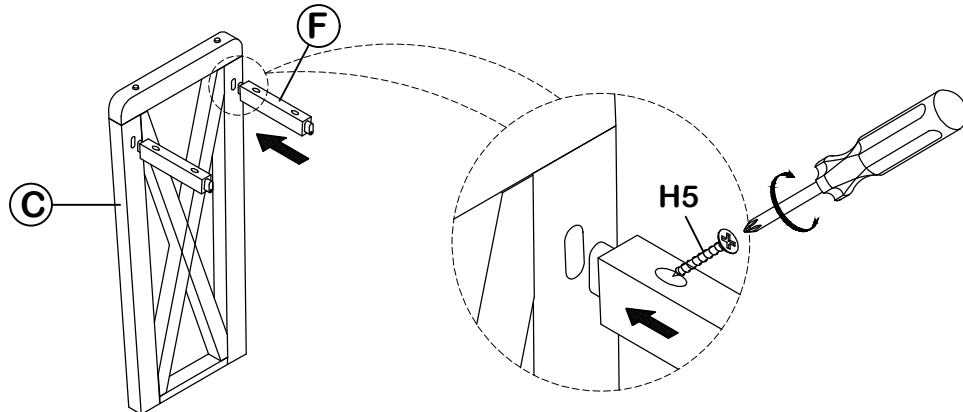
MADE IN VIET NAM

ASSEMBLY INSTRUCTIONS

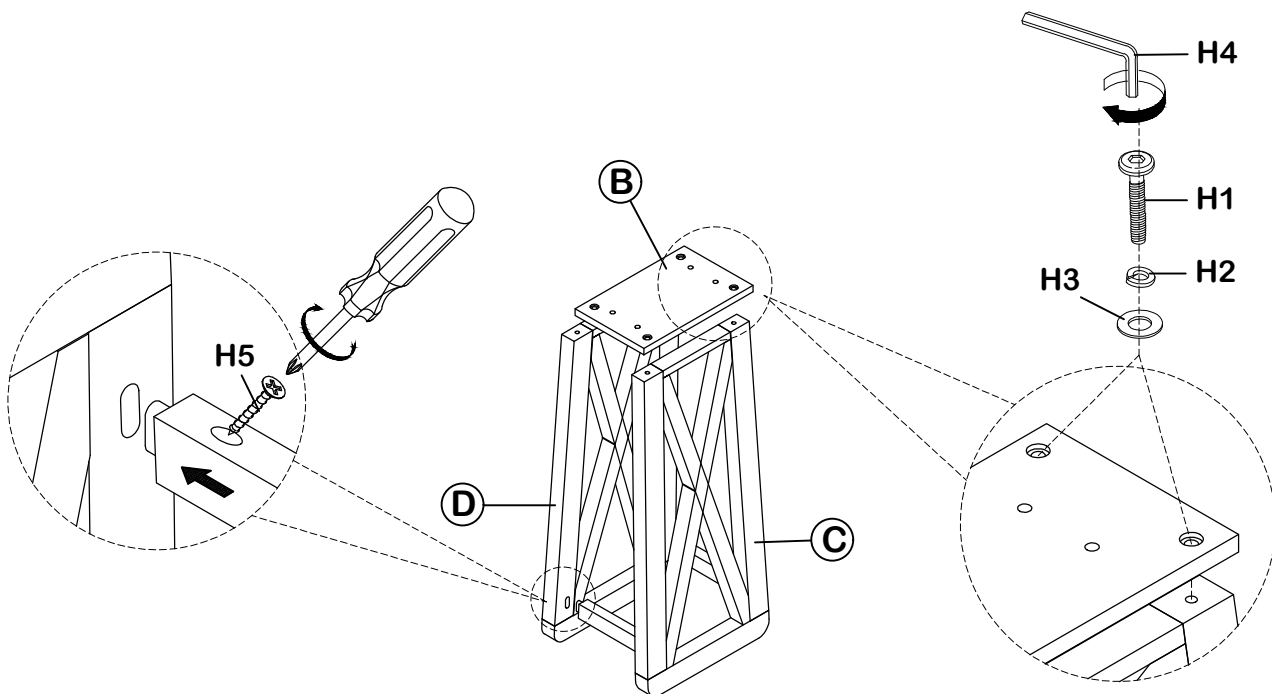
STEP 1

Important:

1. Please lay the outer leg on a clean, soft surface to assemble.
2. Do not overtighten screws/ bolts until assembly is completed.



STEP 2



United Wood Products, Inc. Customer Service Contact Information:

Toll Free Phone Number: 1-800-458-7212

Email: consumercare@ufifurniture.com

Website: www.unitedfurnitureindustries.com

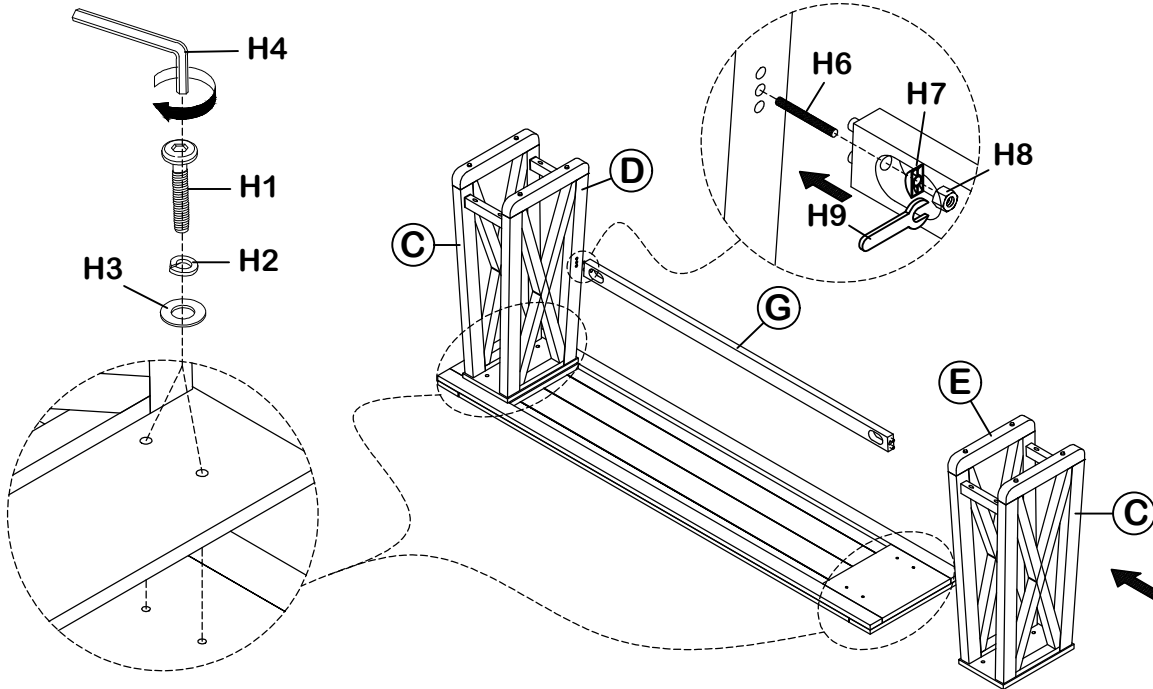
PLEASE NOTE: With use, screw may become loose & must be tightened periodically.

MADE IN VIET NAM

ASSEMBLY INSTRUCTIONS

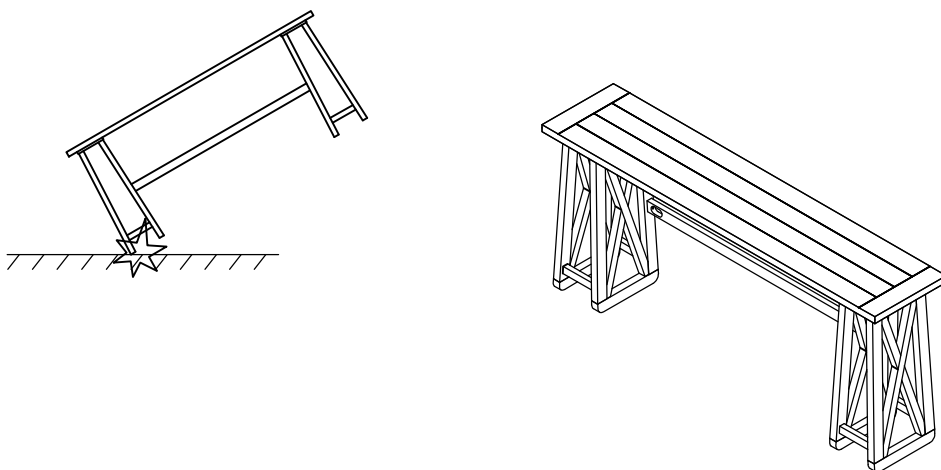
STEP 3

Please lay the table top on a clean, soft surface to assemble



STEP 4

NOTE: Do not let table stand on one leg when turning over the table.



United Wood Products, Inc. Customer Service Contact Information:

Toll Free Phone Number: 1-800-458-7212

Email: consumercare@ufifurniture.com

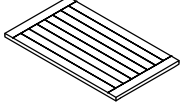
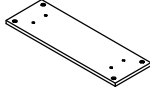
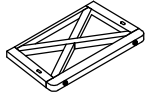
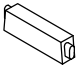
Website: www.unitedfurnitureindustries.com





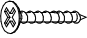
PLEASE NOTE: With use, screw may become loose & must be tightened periodically.

MADE IN VIET NAM

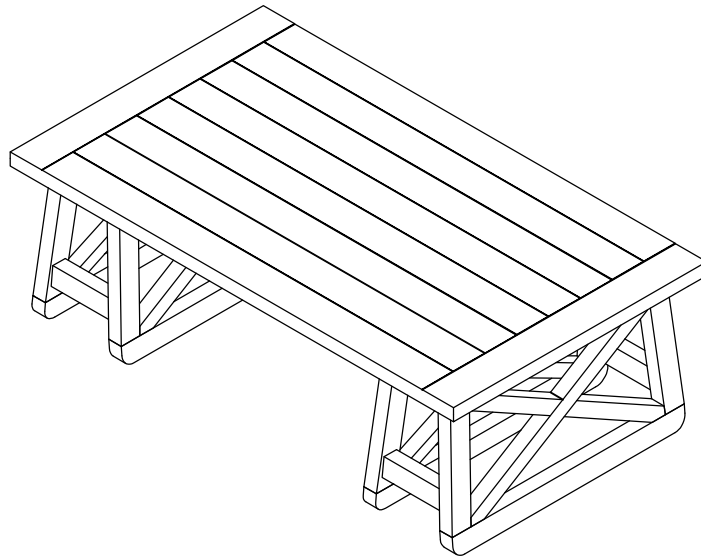
ASSEMBLY INSTRUCTIONS

7042-45 RECTANGLE COCKTAIL TABLE PART LIST

PART	DRAWING	DESCRIPTION	QTY
A		TABLE TOP	1
B		MOUNTING PLATE	2
C		LEGS	4
D		STRETCHERS	4

PART	DRAWING	DESCRIPTION	QTY
H1		LONG BOLT (Ø1/4" * 1-1/2")	16
H2		SPRING WASHER (Ø1/4")	16
H3		FLAT WASHER (Ø1/4")	16
H4		ALLEN KEY (M4)	1
H5		SCREW (M4* 1-1/2")	08

NOTE: If needed, only part H1 - H5 are available for replacement.



**COMPLETED RECTANGLE COCKTAIL TABLE
ASSEMBLY**



United Wood Products, Inc. Customer Service Contact Information:

Toll Free Phone Number: 1-800-458-7212

Email: consumercare@ufifurniture.com

Website: www.unitedfurnitureindustries.com

PLEASE NOTE: With use, screw may become loose & must be tightened periodically.

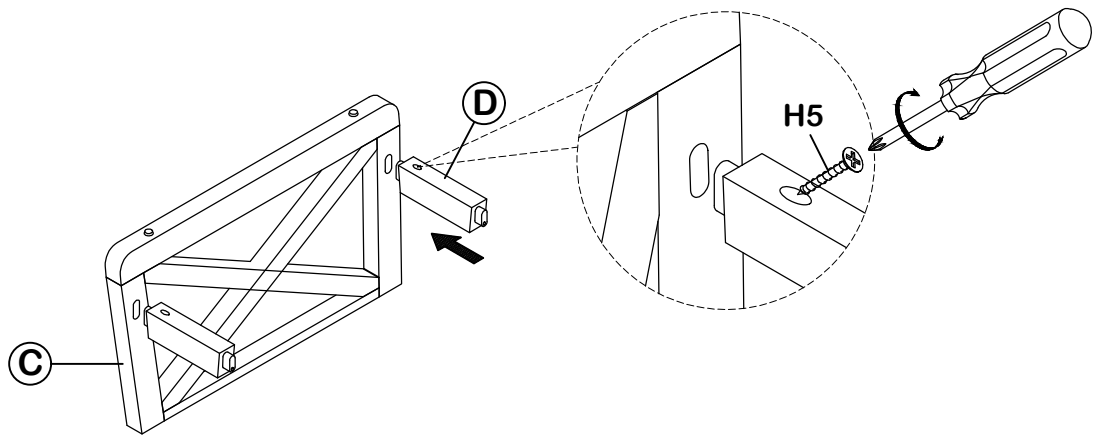
MADE IN VIET NAM

ASSEMBLY INSTRUCTIONS

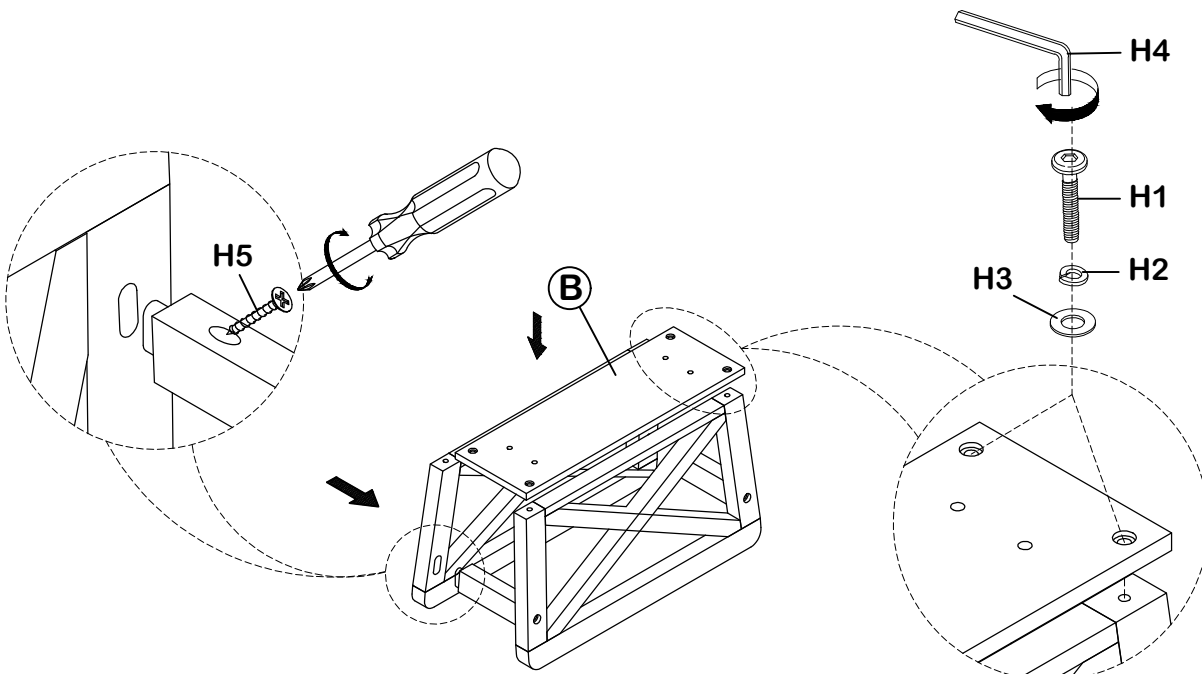
STEP 1

Important:

1. Please lay the table leg on a clean, soft surface to assemble.
2. Do not overtighten screws/ bolts until assembly is completed.



STEP 2



United Wood Products, Inc. Customer Service Contact Information:

Toll Free Phone Number: 1-800-458-7212

Email: consumercare@ufifurniture.com

Website: www.unitedfurnitureindustries.com

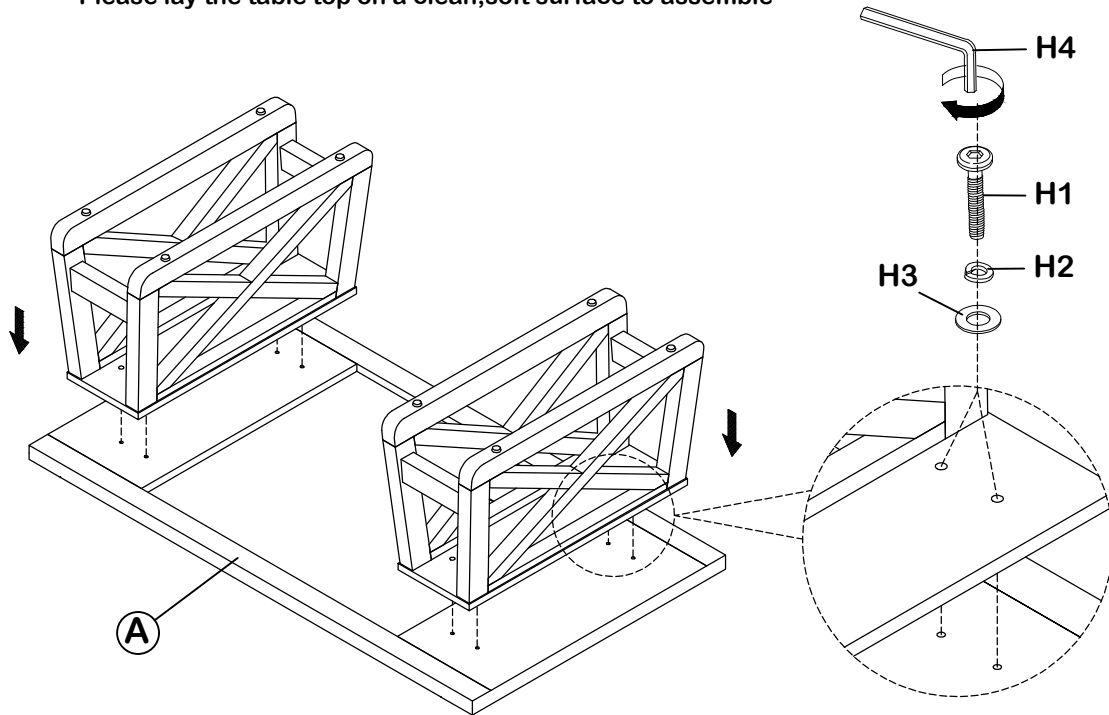
PLEASE NOTE: With use, screw may become loose & must be tightened periodically.

MADE IN VIET NAM

ASSEMBLY INSTRUCTIONS

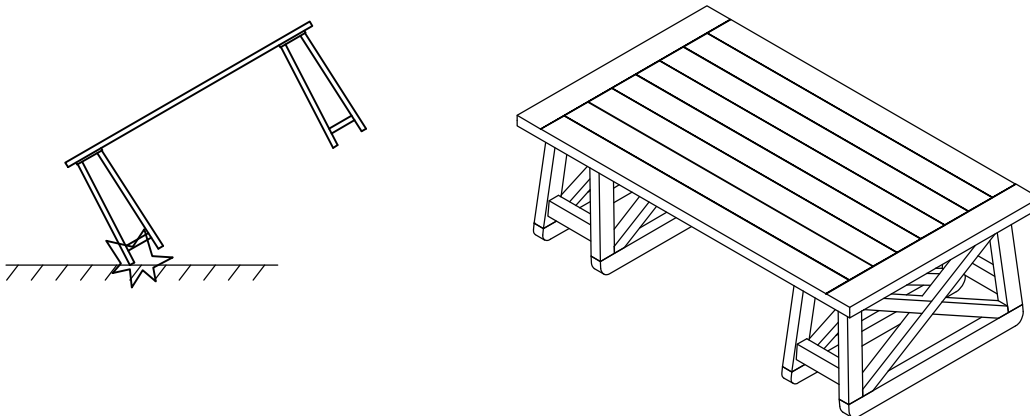
STEP 3

Please lay the table top on a clean, soft surface to assemble



STEP 4

NOTE: Do not let table stand on one leg when turning over the table.



United Wood Products, Inc. Customer Service Contact Information:

Toll Free Phone Number: 1-800-458-7212

Email: consumercare@ufifurniture.com

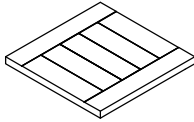
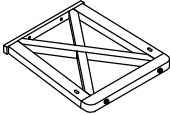
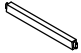
Website: www.unitedfurnitureindustries.com





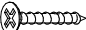
PLEASE NOTE: With use, screw may become loose & must be tightened periodically.

MADE IN VIET NAM

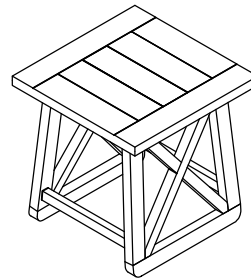
ASSEMBLY INSTRUCTIONS

7042-47 END TABLE PART LIST

PART	DRAWING	DESCRIPTION	QTY
A		TABLE TOP	1
B		LEGS	2
C		STRETCHERS	2

PART	DRAWING	DESCRIPTION	QTY
H1		BOLT (Ø1/4" * 1-1/2")	4
H2		SPRING WASHER (Ø1/4")	4
H3		FLAT WASHER (Ø1/4")	4
H4		ALLEN KEY (M4)	1
H5		SCREW (M4* 1-1/2")	4

NOTE: If needed, only part H1 - H5 are available for replacement.

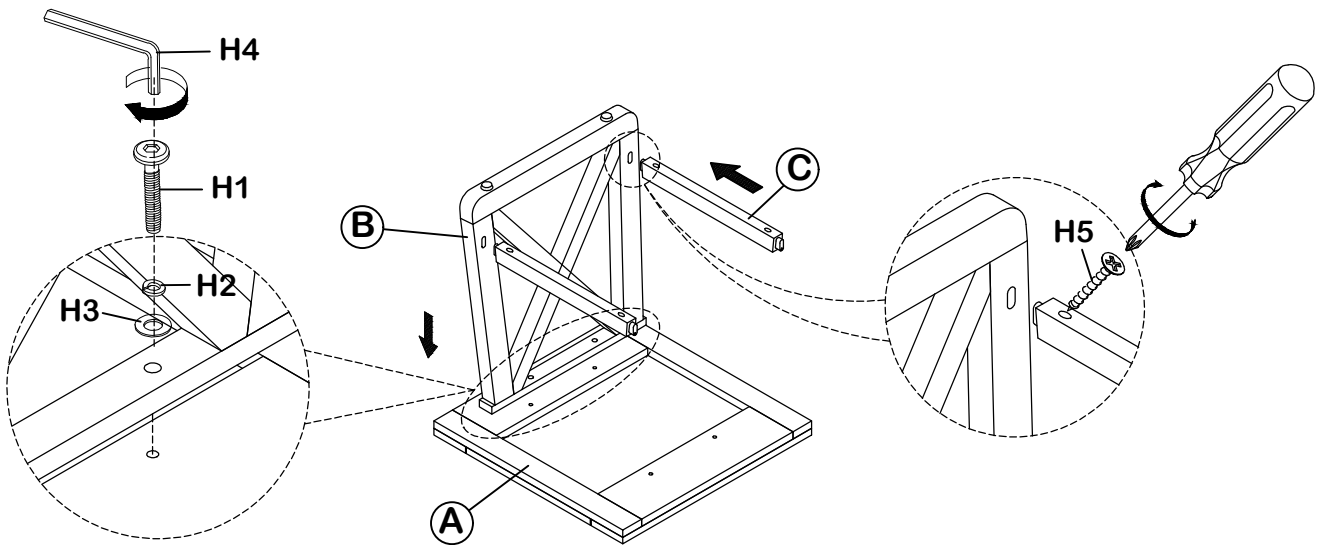


**COMPLETED END TABLE
ASSEMBLY**

STEP 1

Important:

1. Please lay the table top on a clean, soft surface to assemble.
2. Do not overtighten screws/ bolts until assembly is completed.



United Wood Products, Inc. Customer Service Contact Information:

Toll Free Phone Number: 1-800-458-7212

Email: consumercare@ufifurniture.com

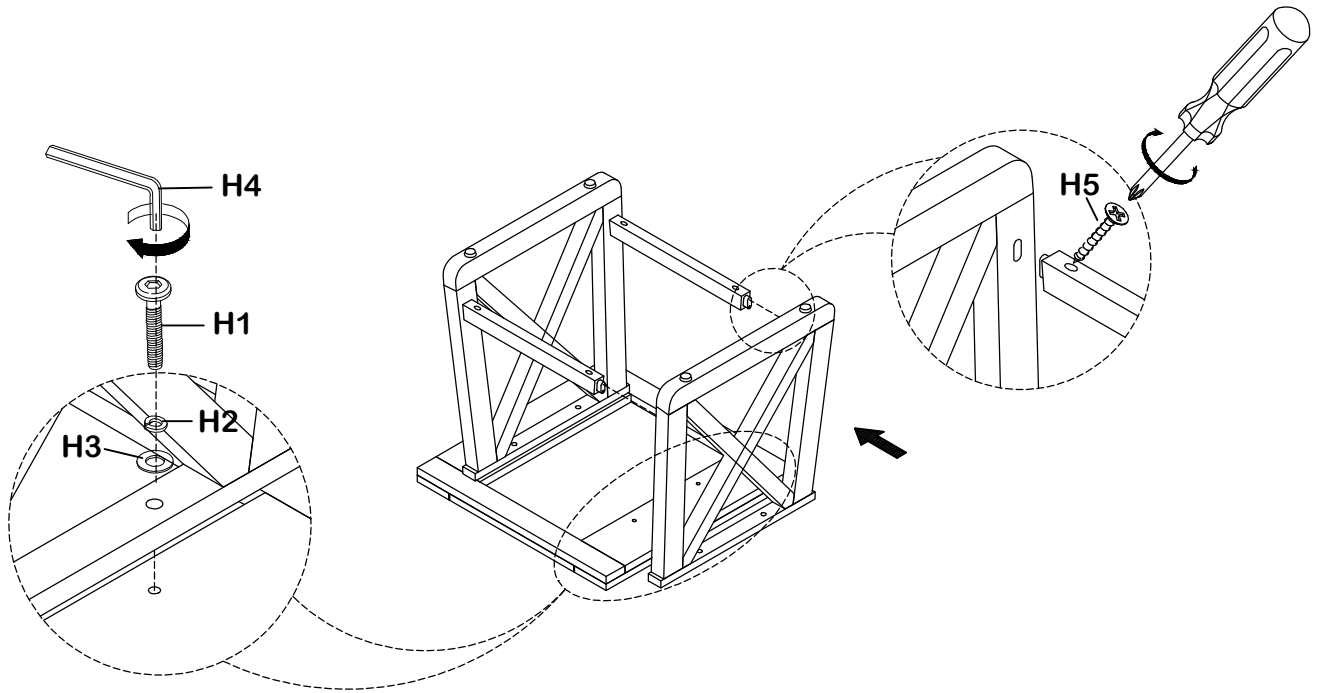
Website: www.unitedfurnitureindustries.com

PLEASE NOTE: With use, screw may become loose & must be tightened periodically.

MADE IN VIET NAM

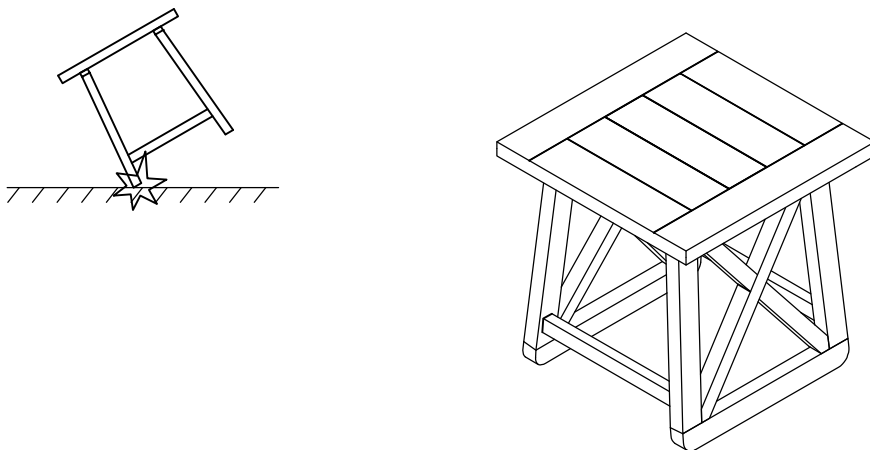
ASSEMBLY INSTRUCTIONS

STEP 2



STEP 3

NOTE: Do not let table stand on one leg when turning over the table.



United Wood Products, Inc. Customer Service Contact Information:

Toll Free Phone Number: 1-800-458-7212

Email: consumercare@ufifurniture.com

Website: www.unitedfurnitureindustries.com

PLEASE NOTE: With use, screw may become loose & must be tightened periodically.

MADE IN VIET NAM