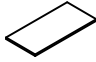












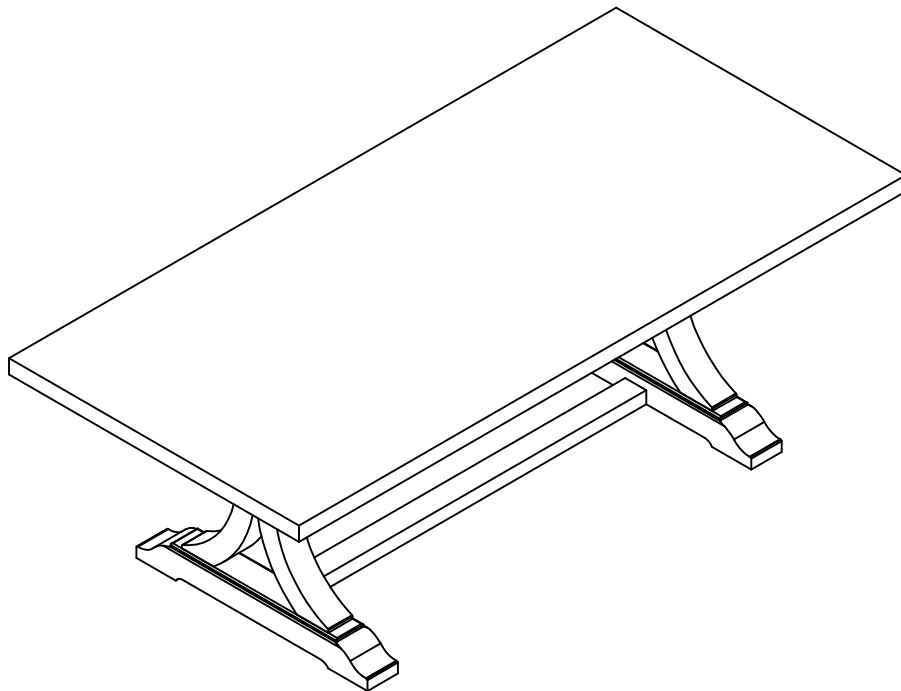
**ASSEMBLY INSTRUCTIONS**

**7053-45 VINTAGE COCKTAIL TABLE**

PART	DRAWING	DESCRIPTION	Q'TY
A		Top panel	1
B		Side frame	2
C		Bottom stretcher	1

PART	DRAWING	DESCRIPTION	Q'TY
H1		Threaded rod 5/16" * L89mm	2
H2		Haft Moon washer 29*15*7.5	2
H3		Hex nut 5/16*12mm	2
H4		Lock washer 5/16"(Ø12)	2
H5		Flat washer 5/16"(Ø16)	2
H6		Open-head Wrench	1
H7		Bolt 5/16 x 38 mm	12
		Flat Washer 5/16"(Ø16)	
		Lock Washer 5/16"(Ø12)	
H8		Allen wrench (4*59mm)	1

**Noted: If needed, only part H1-H8 are available for replacement.**



**COMPLETED VINTAGE COCKTAIL TABLE ASSEMBLY**

**United Wood Products, Inc. Customer Service Contact Information:**

**Toll Free Phone Number: 1-800-458-7212**

**Email: [consumercare@uffurniture.com](mailto:consumercare@uffurniture.com)**

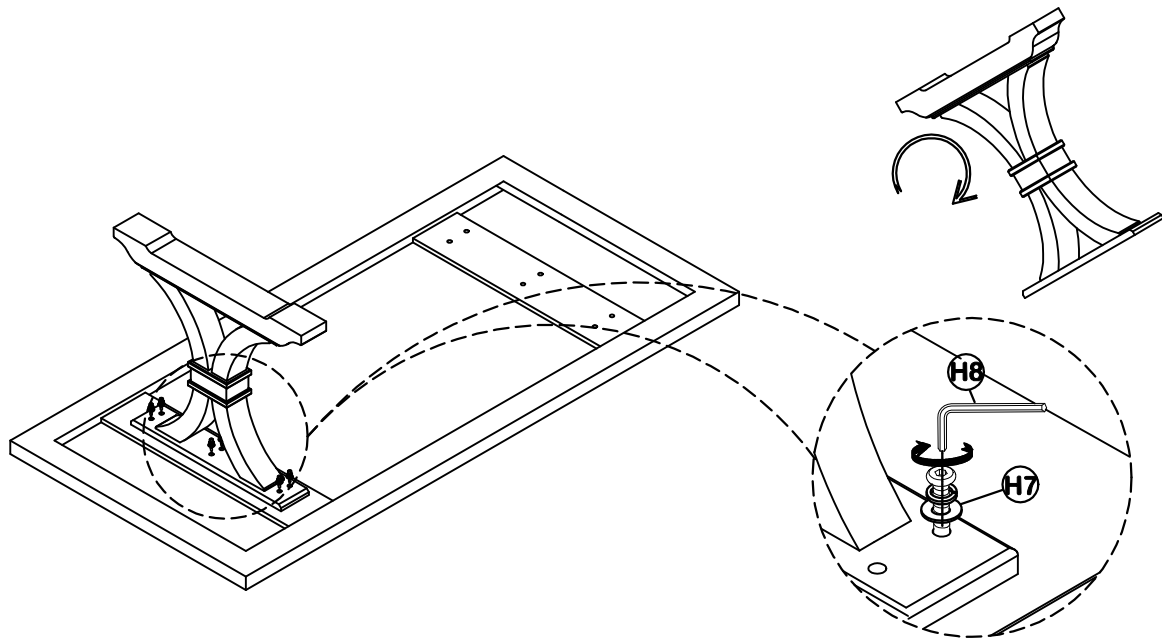
**Website: [www.unitedfurnitureindustries.com](http://www.unitedfurnitureindustries.com)**

**PLEASE NOTE: With use, screw may become loose & must be tightened periodically**

**MADE IN VIETNAM**

**ASSEMBLY INSTRUCTIONS**

**STEP 1**



**Noted: Please lay the table top on the clean, soft surface to assemble.**

**United Wood Products, Inc. Customer Service Contact Information:**

**Toll Free Phone Number: 1-800-458-7212**

**Email: [consumercare@ufifurniture.com](mailto:consumercare@ufifurniture.com)**

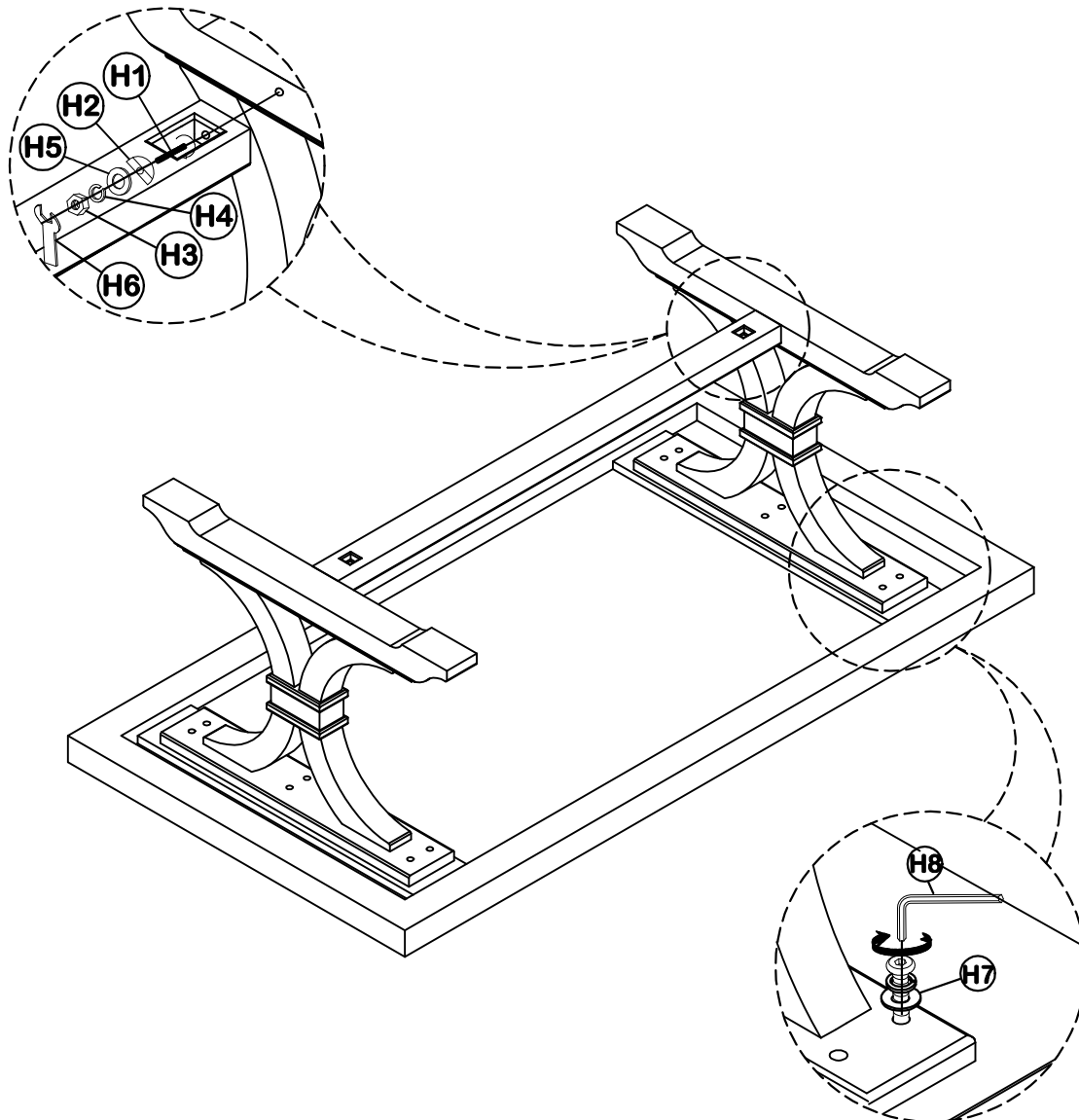
**Website: [www.unitedfurnitureindustries.com](http://www.unitedfurnitureindustries.com)**

**PLEASE NOTE: With use, screw may become loose & must be tightened periodically**

**MADE IN VIETNAM**

**ASSEMBLY INSTRUCTIONS**

**STEP 2**



**STEP 3**



**United Wood Products, Inc. Customer Service Contact Information:**

**Toll Free Phone Number: 1-800-458-7212**

**Email: [consumercare@ufifurniture.com](mailto:consumercare@ufifurniture.com)**

**Website: [www.unitedfurnitureindustries.com](http://www.unitedfurnitureindustries.com)**

**PLEASE NOTE: With use, screw may become loose & must be tightened periodically**

**MADE IN VIETNAM**