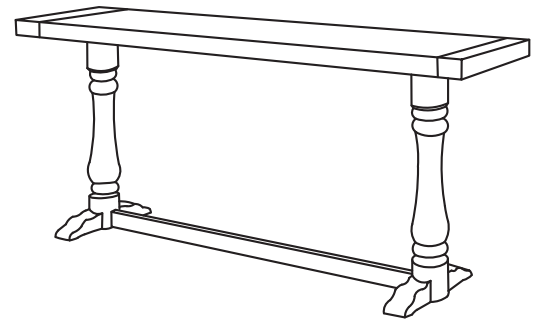


ASSEMBLY INSTRUCTIONS

7581-40 SOFA BAR PART LIST

PART	DRAWING	DESCRIPTION	QTY	PART	DRAWING	DESCRIPTION	QTY
A		TABLE TOP	1	1		WRENCH	1
B		LEG PRONG	4	2		M8 HEX NUT	8
C		TOP RAIL	1	3		M8 SPRING WASHER	8
D		CROSS RAIL	1	4		M8 FLAT WASHER	8
E		PEDESTAL LEG	2	5		M4x60MM ALLEN KEY	1
F		MOUNTING PLATE	2	6		M6x30MM SCREW	12
				7		M6 SPRING WASHER	12
				8		M6 FLAT WASHER	12
				9		LEG LEVELER	4
				10		M4x38MM SCREW	3



COMPLETED SOFA BAR
ASSEMBLY

Note: A screw driver will be needed to assemble the top rail properly.
Note: If needed, only part 1-10 are available for replacement.

STEP 1

! TIP OVER HAZARD
PLACE THE PEDESTAL LEG ON SMOOTH AND FLAT SURFACE DURING ASSEMBLY

STEP 2

! WARNING!! THIS SIDE UP

STEP 3

STEP 4

! PLEASE LAY TABLE TOP ON SOFT, CLEAN SURFACE TO ASSEMBLE

United Wood Products, Inc. Customer Service Contact Information:

Toll Free Phone Number: 1-800-458-7212

Email: consumercare@uffurniture.com

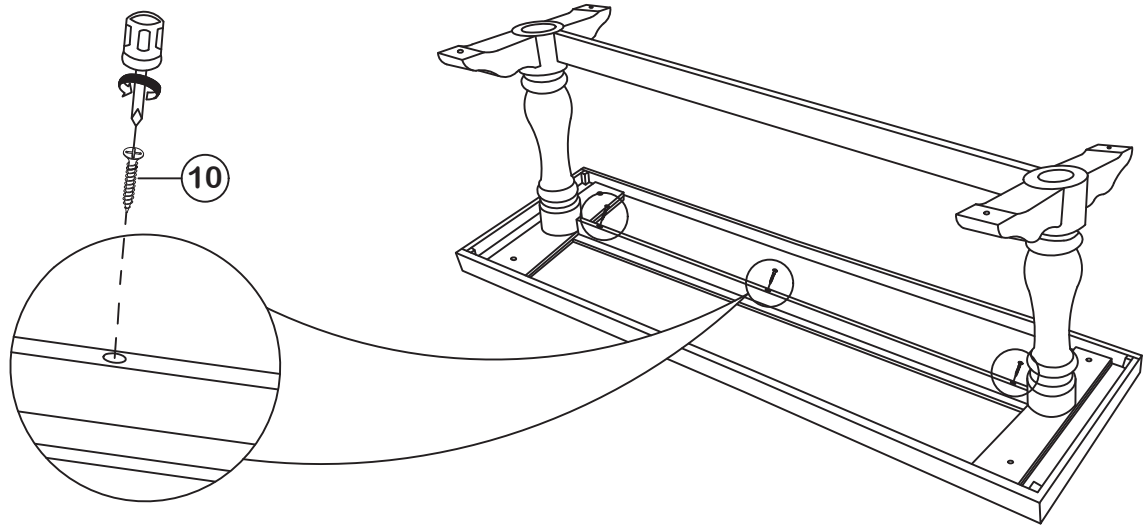
Website: www.unitedfurnitureindustries.com

PLEASE NOTE: With use, screw may become loose & must be tightened periodically.

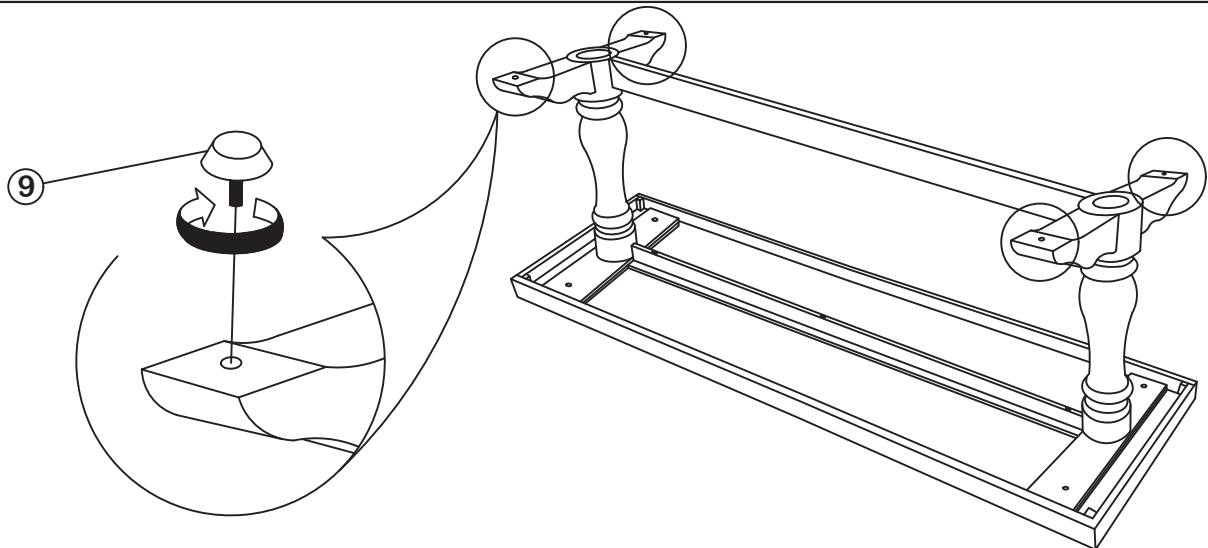
MADE IN MALAYSIA

ASSEMBLY INSTRUCTIONS

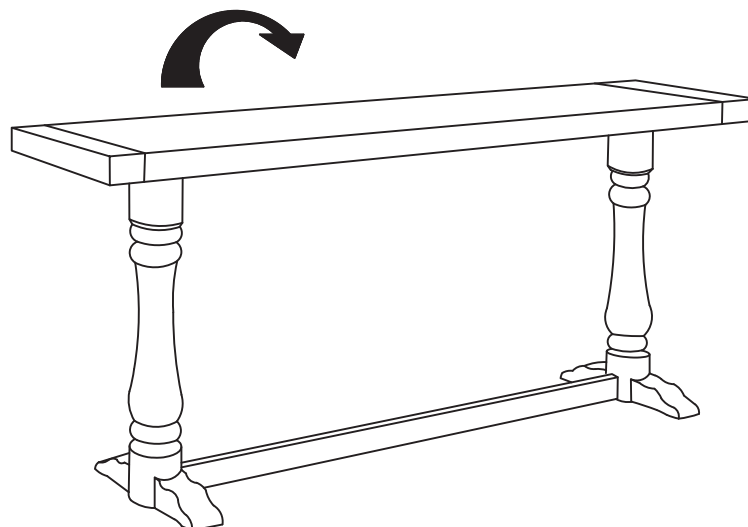
STEP 5



STEP 6



STEP 7



United Wood Products, Inc. Customer Service Contact Information:

Toll Free Phone Number: 1-800-458-7212

Email: consumercare@uffurniture.com

Website: www.unitedfurnitureindustries.com

PLEASE NOTE: With use, screw may become loose & must be tightened periodically.

MADE IN MALAYSIA