

## **VERRADO 2PK CLUB CHAIR**

### **ASSEMBLY INSTRUCTIONS**

**ITEM#: BS20010 / BS20010W**

**SKU# 810447100/ 810460967**

#### **STOP!**

**Missing A Part? No Need To Go Back To The Store!**

**The store where you made your purchase does not stock parts for this item.**

**If you need parts, whether they are missing or damaged.**

**Please e-mail: [afterservice@sunbaycompany.com](mailto:afterservice@sunbaycompany.com) or Call Toll Free**

**TEL: 1-800-730-5292**

**between 9:00am--4:00pm**

**Eastern Time Monday through Friday**



## ASSEMBLY INSTRUCTIONS

- \* Before assembling, make sure that you lay out and identify all parts listed in the parts list.
- \* Keep children away during assembly. This item contains small parts which can be swallowed by children.
- \* All bolts should be hand tightened before use. Never use power tools or excessive force during assembly and tightening of bolts.
- \* Please place the chair on a flat protected surface during assembly.
- \* Before you tighten all screws, make any necessary adjustments on all legs.
- \* Should you experience any difficulty during assembly or if any parts are missing or damaged, contact service center.

Please provide the following information:

1-Model number of the product.

2-Part number and material code of the part from the parts list.

Most problems can be resolved without returning this product to the retailer.

Retain the assembly instructions for future reference.

**SERVICE CENTER TOLL FREE NUMBER**

TEL:1-800-730-5292

\*Please Email a copy of the store receipt & Model #,  
Part # needed with a Daytime Telephone Number and Address to  
[afterservice@sunbaycompany.com](mailto:afterservice@sunbaycompany.com)

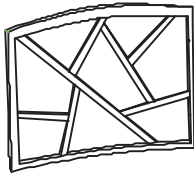
## CARE INSTRUCTIONS

- \* Powder coated steel is durable and will last for many years of seasonal use. It is recommended to touch up or repair any scratches to the paint surface to prevent rust.
- \* If you see rust, carefully sand the area using a fine sand paper and apply a rust resistant paint that closely matches the frame color.
- \* It is recommended to use furniture covers (sold separately) to protect the product when not in use, and especially during inclement weather.

## CAUTION:

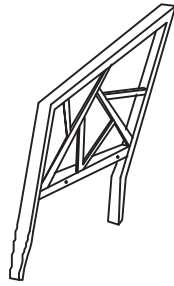
- \* Proper use of this chair is for single person seating only.
- \* Do not stand on chair or use as a step ladder.
- \* For optimum safety, use on even surface only!
- \* Chair tested for use at weight of 250lbs.
- \* Improper use of this product or failure to use as directed can result in injury.
- \* Not intended for commercial use.

## PARTS LIST



**A**

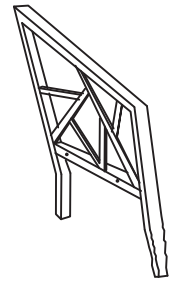
x2



**B**

x2

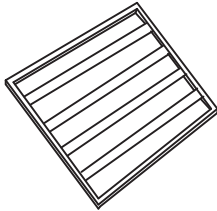
**RIGHT ARM**



**C**

x2

**LEFT ARM**



**D**

x2



**E**

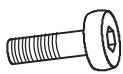
x2



**F**

x2

## HARDWARE LIST



**G**

x16  
M6X30



**H**

x16



**I**

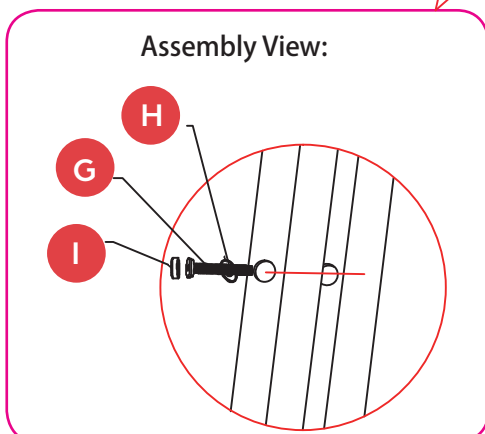
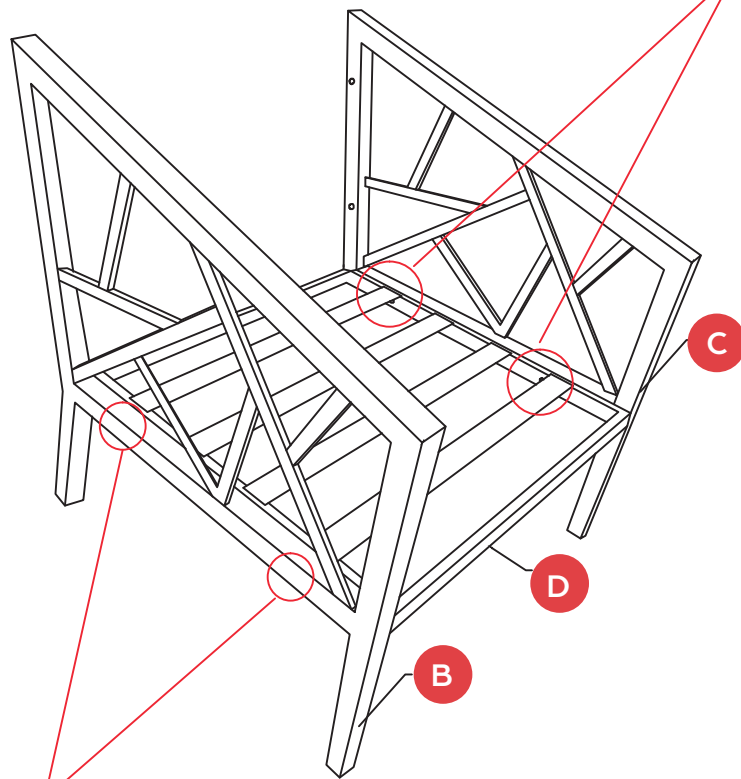
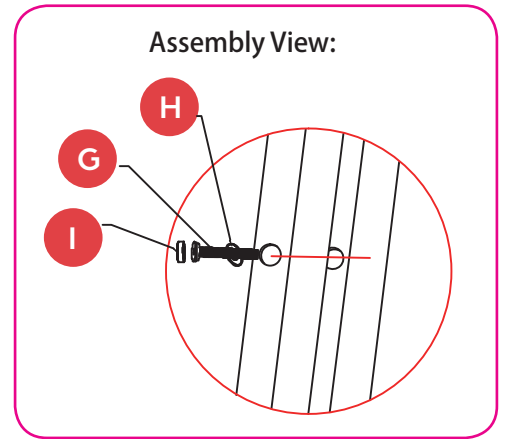
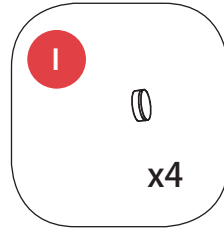
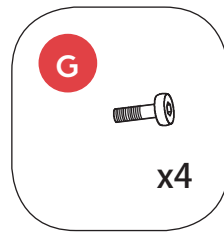
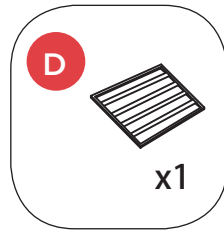
x16



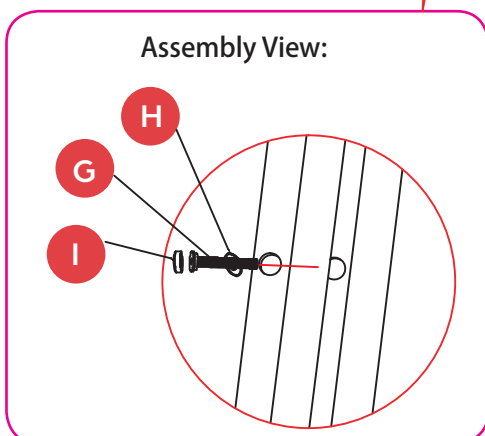
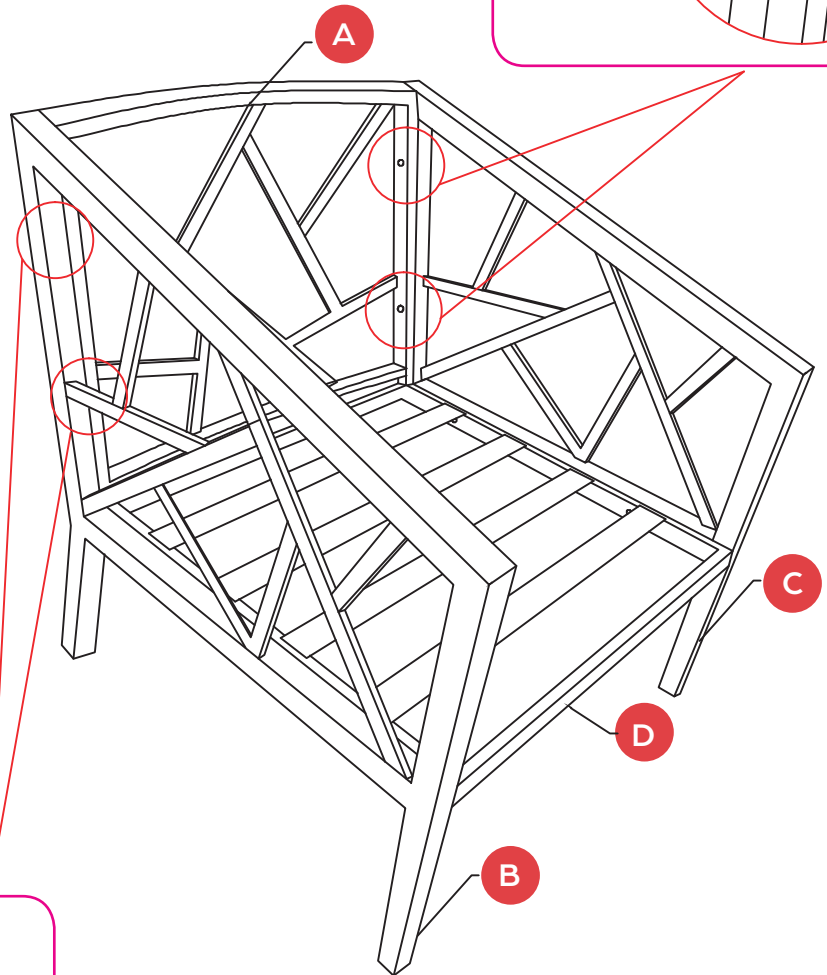
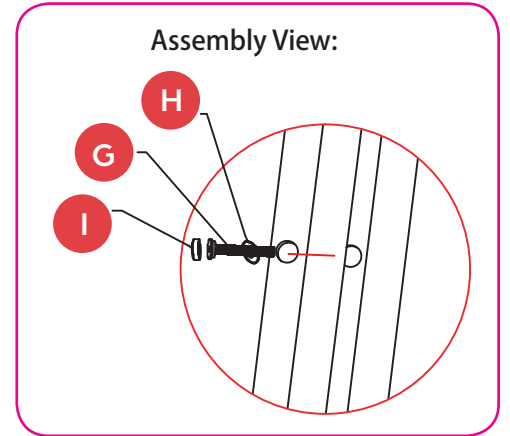
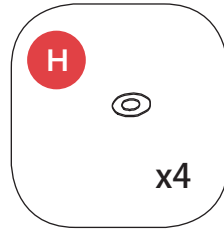
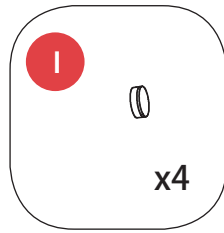
**J**

x1

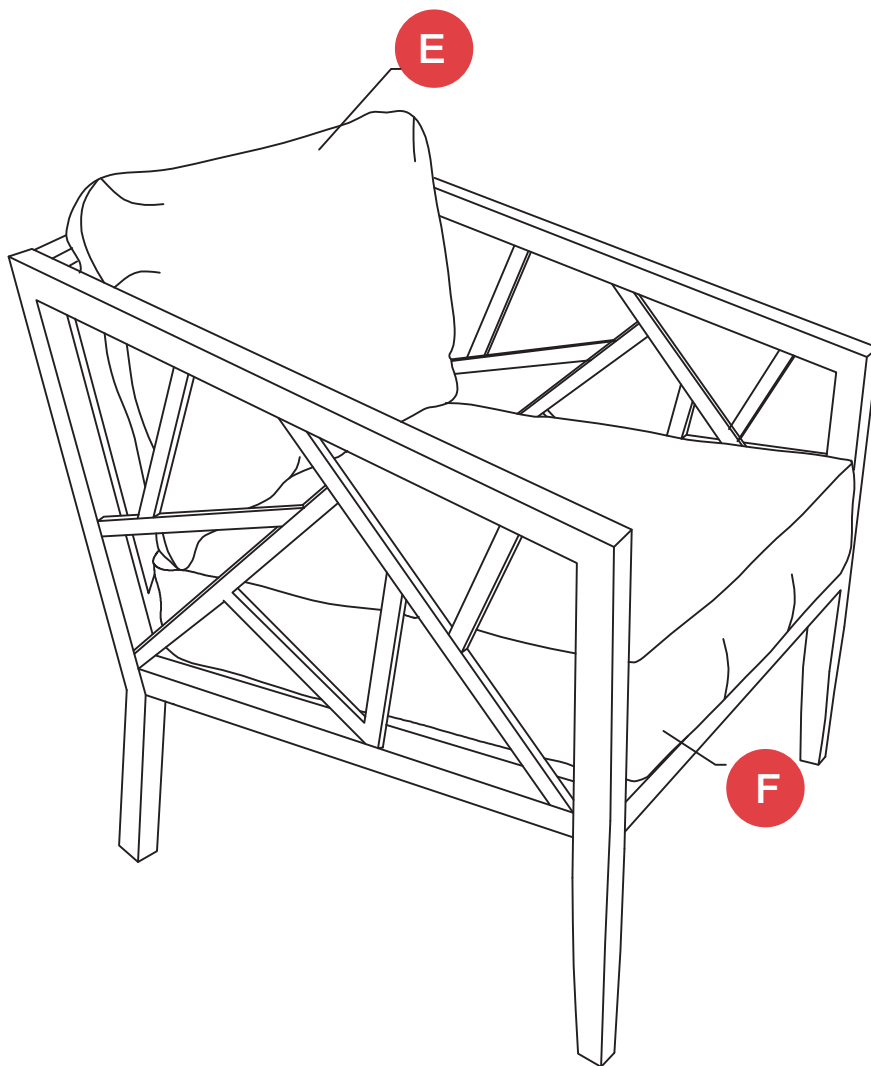
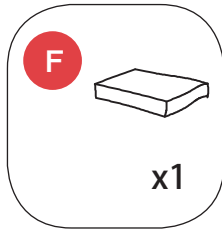
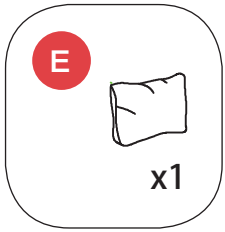
# STEP 1



## STEP 2



### STEP 3



## STEP 4

**\*\*Repeat step 1 & step 2 to assemble the other chair.**

