



EAGLE BROOKE

**EAGLE BROOKE 49 IN. X 25 IN.
TILE TOP COFFEE TABLE**



ASSEMBLY INSTRUCTION

**ITEM#: TCS49LD
SKU#: 810452031**

Need help? We are here for you!

1.877.539.7436




Call us between 9:00 AM and 4:30 PM Eastern Time Monday through Friday For further assistance.


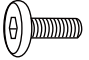

ASSEMBLY INSTRUCTIONS

**ATTENTION: THIS PRODUCT IS NOT FOR COMMERCIAL USE
INTENDED FOR RESIDENTIAL USE ONLY.**

TCS49LD

PARTS LIST

PART NO.	MATERIAL CODE	PART	Q'TY
1	TCS49LD-CS05-1	 TABLE TOP	1
2	TCS49LD-CS04-1	 LEG	2
3	62TCS49LDI101	 SUPPORT	1

PART NO.	MATERIAL CODE	PART	Q'TY
4	13CXQ1B0200A001	 TILE A 600*600*10	2
5	17C33A0706001YX	 BOLT M6*15	12
6	17FA05040301-YX	 WASHER D6.5*D13*1.0	12

Tools



FIGURE 1

PARTS REQUIRED: 1, 2, 5, & 6

Keep the bolts loose.

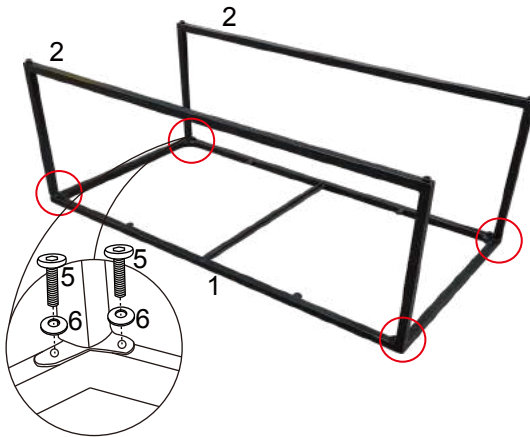
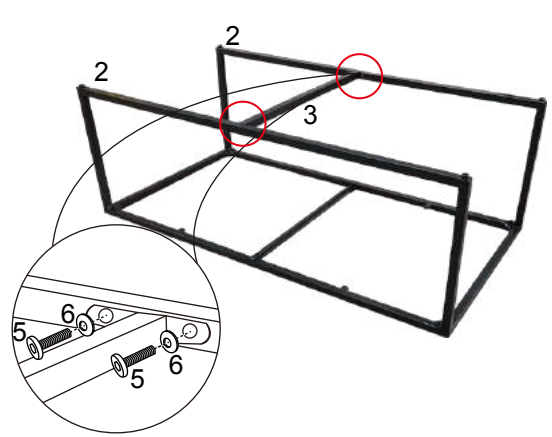








FIGURE 2

PARTS REQUIRED: 2, 3, 5, & 6

Tighten all bolts by using the supplied Hex key.



-  Use the correct bolts as indicated. Do not tighten any of the bolts until the table is completely assembled.
-  Do not sit or stand on this table.
-  Do not discard any of the packaging until you have checked that you have all of the parts and fittings required.
-  Keep children away during assembly. This item contains small parts that can be swallowed by children. Children should always be under direct adult supervision while using this product.
-  Retain these assembly instructions for future reference.
-  Quote the following FQC No. when contacting the service center.

SERVICE CENTER TOLL FREE NO.

TEL: 1-877-539-7436

FAX: 1-877-539-7439

PAGE 1 OF 2 CREATIVE COURTYARDS INTERNATIONAL LIMITED.

FIGURE 3

PARTS REQUIRED: 1 & 4

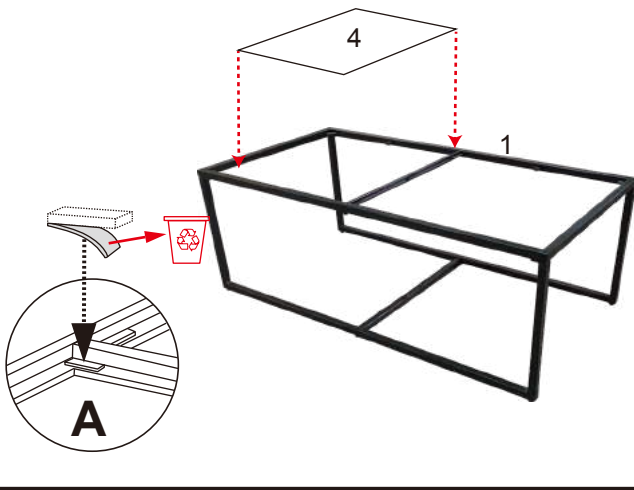


FIGURE 4



Note:

If any EVA foam pads on the table top are missing, there are extra EVA foam pads in the hardware kit. See Illustration A.

Cleaning and Maintenance

- Wash frame parts with mild soap and water, rinse thoroughly, and dry completely. Do not use bleach, acid, or other solvents on the frame parts.
- Inspect and tighten all bolts and fasteners on a regular basis to ensure the proper performance and safety of your table.
- When moving the table, remove the umbrella and lift. Do not drag this table.
- We recommend the use of furniture covers when not in use.
- In order to prolong the life and beauty of your table, we recommend that it be stored in a dry and protected area during off season periods.

Warranty

- This product is covered by Creative Courtyards international limited (samoa), taiwan branch Inc.'s one-year limited warranty.
- Proof of purchase (dated register receipt) is required for warranty claims.
- It remains the customer's responsibility for freight and packing charges to and from the service center.

STOP!

**Missing A Part?
No Need To Go Back To
The Store**

The store where you made your purchase does not stock parts for this item.

If you need parts, whether they are missing or damaged, Call Toll Free:

TEL: 1-877-539-7436

FAX: 1-877-539-7439

Call us between 9:00 AM and 4:30 PM

Eastern Time Monday through Friday

For further assistance,

please visit us at

service.cci@polywares.com

READ THESE INSTRUCTIONS COMPLETELY BEFORE STARTING ASSEMBLY

- ★ SEPARATE AND IDENTIFY ALL OF THE PARTS, MAKING SURE THAT YOU HAVE ALL OF THE PARTS LISTED.
- ★ IF YOU DO NOT LOCATE ALL OF THE PARTS LISTED, INSPECT THE PACKING MATERIAL FOR SMALL PARTS THAT MAY HAVE BECOME SEPARATED DURING SHIPMENT.
- ★ IF YOU EXPERIENCE ANY DIFFICULTY DURING ASSEMBLY OR IF ANY PARTS ARE MISSING OR DAMAGED, CALL THE HELP LINE AT 1-877-539-7436 BEFORE RETURNING THIS ITEM TO THE STORE.
- ★ PROVIDE THE FOLLOWING INFORMATION WHEN CALLING:
1-MODEL NUMBER OF THE PRODUCT.
2-PART NUMBER AND MATERIAL CODE OF THE PART FROM THE PARTS LIST.
- ★ MOST PROBLEMS CAN BE RESOLVED WITHOUT RETURNING THIS PRODUCT TO THE RETAILER.

CAUTION:

Do not sit or stand on table. Misuse of table may result in damage or injury. Not intended for commercial use.