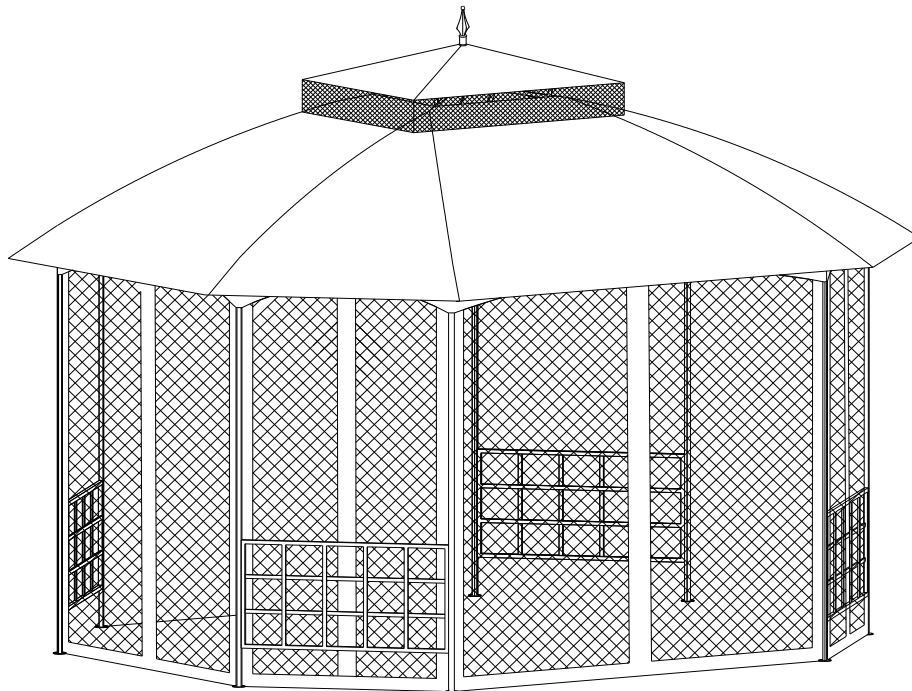


**Sunjoy 12ftx10ft Hexton Gazebo w/netting**  
**ASSEMBLY INSTRUCTION**  
**ITEM#: A101003701**  
**SKU#:810461203**



**We have you in mind, let us help you!**

**\* DO NOT RETURN YOUR PRODUCT TO THE STORE \***

**Contact US FIRST**

**24 / 7**  
**Toll Free** 

**1-(866)-578-6569**

**24 / 7**  
**Live Chat**

 **Support**

**[www.sunjoyonline.com](http://www.sunjoyonline.com)**

**24 / 7**



**[Staples@sunjoygroup.com](mailto:Staples@sunjoygroup.com)**

Country of Origin: China

Call 1(866) 578-6569 for assistance.  
Or visit us at [www.sunjoyonline.com](http://www.sunjoyonline.com)

## Safety Information

- **More than two people** are required for this assembly.
- Some parts may contain sharp edges. Wear protective gloves.
- When assembling and using this product, basic safety precautions should always be followed to reduce the risk of personal injury and damage to equipment. Please read all instructions before assembly and usage.



**CAUTION:** Do not climb on top of the gazebo. Falling off the gazebo can result in serious injury.

**NOTICE:** For outdoor use



**DANGER:** This unit is heavy! Do not assemble this item alone.



**WARNING:** Do not leave the gazebo where there is a risk of high wind, as possible damage will occur to the structure.



**WARNING:** Keep all flame and heat sources away from this gazebo fabric. This Gazebo is made with fabric that meets CPAI-84 specifications for flame resistance. It is not fire proof. The fabric will burn if left in continuous contact with any flame source. The application of any foreign substance to the gazebo fabric may render the flame-resistant properties ineffective.

## Warranty: 1 Year

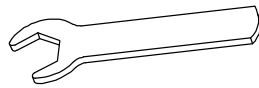
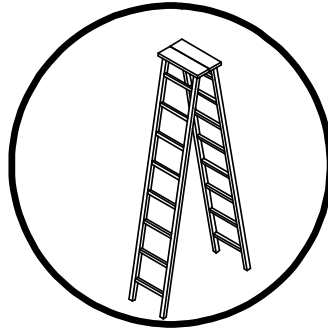
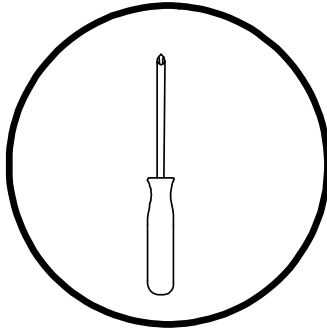
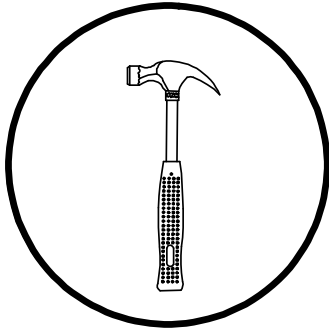
### WHAT IS COVER?

The limited warranty is extended to the original purchaser and applies to material and manufacturer's defect provided the item is maintained with care and used only for personal, residential purposes.

### IMPORTANT

KEEP THIS INSTRUCTION MANUAL FOR FUTURE REFERENCE.

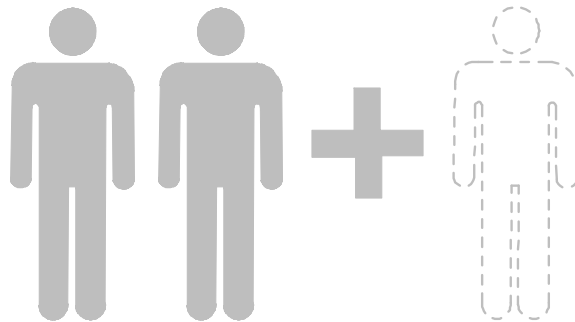
## TOOLS NEEDED



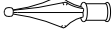






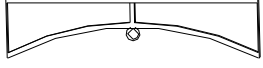








Provided in hardware pack

## IMPORTANT



**How many people needed for the installation work**

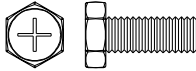

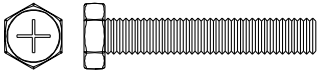


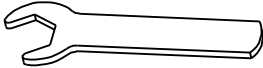


Parts List				
Label	Part Number	Description	Qty	Part Image
A1	P000500590	Top connector 1	1	
A	P000500591	Top connector 2	1	
B1	P005600118	Finial	1	
B	P005800080	Hook	1	
C3	P000500713	Connector 1	4	
C4	P000500592	Connector 2	4	
D1	P000600714	Side post 1	4	
E2	P000600715	Side post 2	4	
E3	P000500593	Corner connector	8	
F	P006300043	Screen 1	4	
G	P006300044	Screen 2	2	
H	P006300045	Screen 3	2	
I	P000200229	Post 1	4	
J	P000200230	Post 2	4	
K	P006200009	Fence	4	
L	P001100291	Small canopy	1	

Country of Origin: China

Call 1(866) 578-6569 for assistance.  
Or visit us at [www.sunjoyonline.com](http://www.sunjoyonline.com)

M	P001100290	Large canopy	1	
N	P001200103	Mosquito netting	1	

Hardware Pack					
Label	Part Number	Description	Qty	Add	Part Image
AA	H02015C11	M6 X 15 Bolt	32	2	
BB	H19001C11	M6 Flat washer	48	3	
CC	H02035C11	M6 X 35 Bolt	16	1	
DD	P12412C01002	Φ6*230 Stake	16	0	
FF	P90701A07007	Ring	60	3	
W	H00001C12	M6 Wrench	1	0	

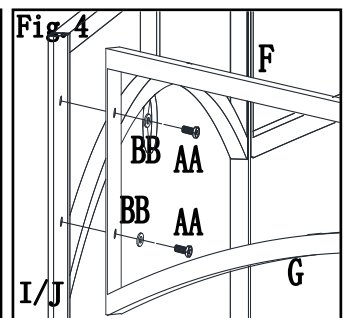
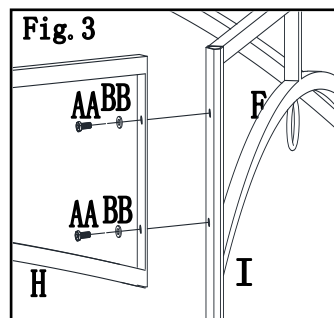
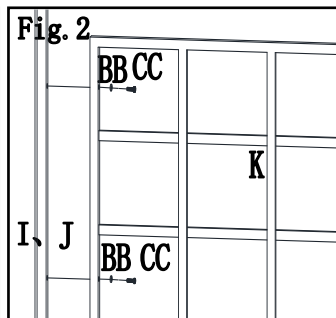
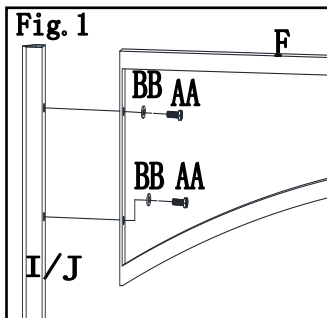
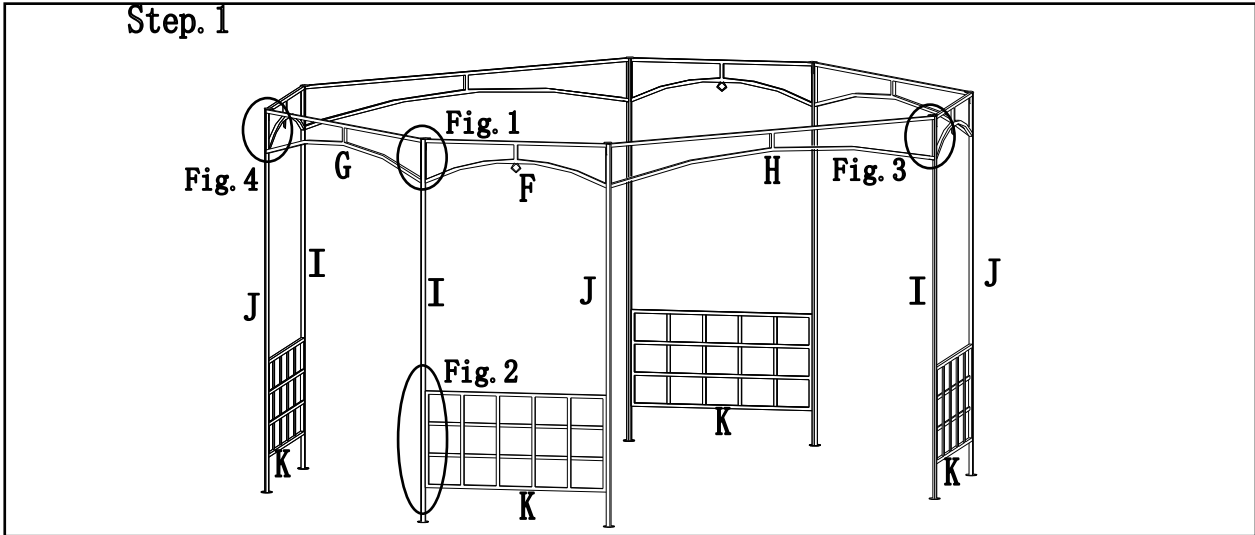
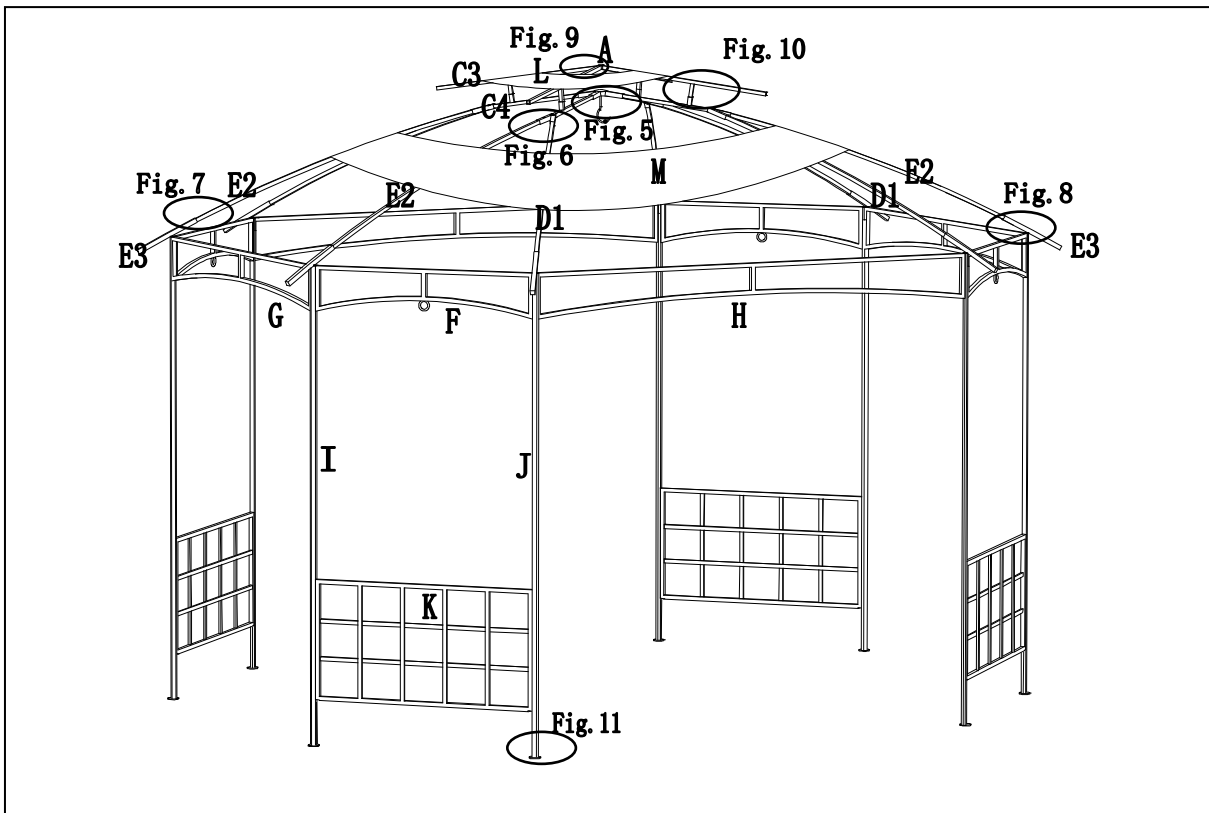


Fig.1: Using bolt (AA) and flat washer (BB) to assemble the screen 1 (F) to the post 1 (I) or post 2 (J)

Fig.2: Using bolt (CC) and flat washer (BB) to connect the fence (K) to the post 1 (I) or post 2 (J).

Fig.3: Using bolt (AA) and flat washer (BB) to connect the screen 3 (H) to the post 1 (I) or post 2 (J).

Fig.4: Using bolt (AA) and flat washer (BB) to connect screen 2 (G) to the post 1 (I) or post 2 (J). Secure all bolts by using wrench (W).



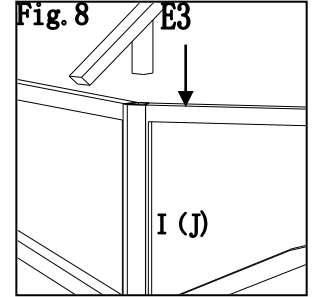
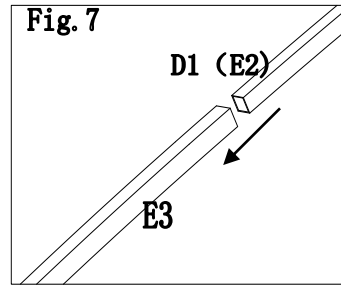
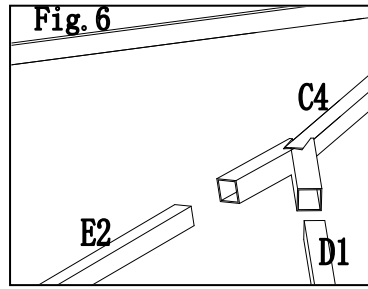
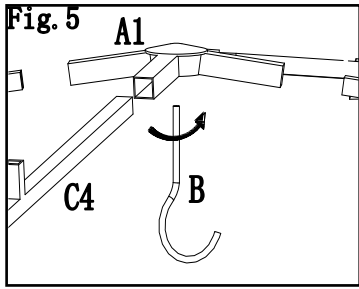


Fig.5: Insert connector 2 (C4) to b top connector 1 (A1) and attach hook (B) to top connector 1 (A1).

Fig.6: Insert side post 1 (D1) and side post 2 (E2) into connector 2 (C4).

Fig.7: Insert assembly side post 2 (E2) and side post 1 (D1) into corner connector (E3).

Fig.8: Insert corner connector (E3) to the other end of post 1 (I) & post 2 (J). Cover large canopy (M) to the big top.

(Note: The bigger corner of top connector 2 (A) should point to the screen 3 (H)).

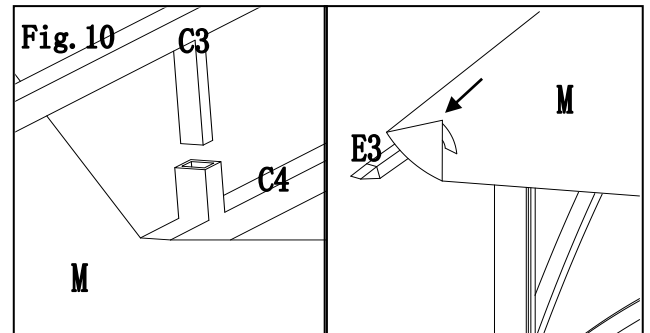
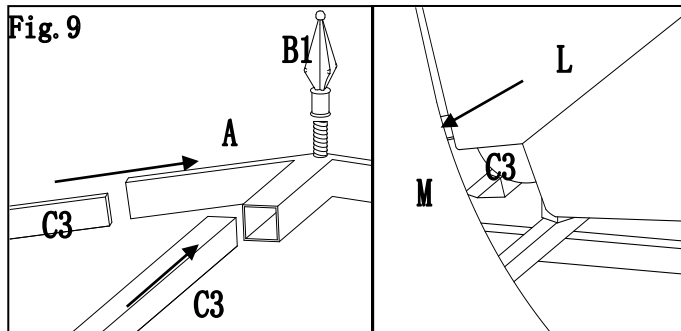


Fig.9: Insert connector 1 (C3) into top connector 2(A), cover small canopy (L) to the small top.

Then attach finial (B1) to top connector2 (A).

Fig.10: Insert the connect tube of connector 1 (C3) onto connector 2 (C4) and then spread out large canopy (M).

Fig.11: Fix the gazebo by stake (DD).

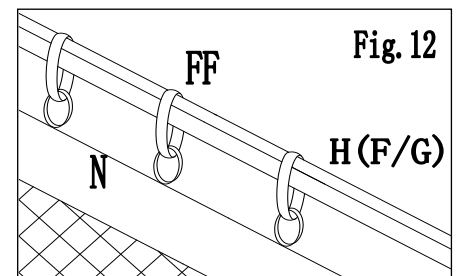
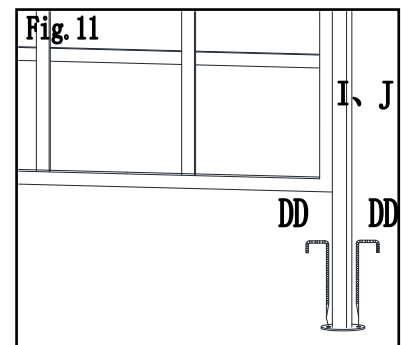
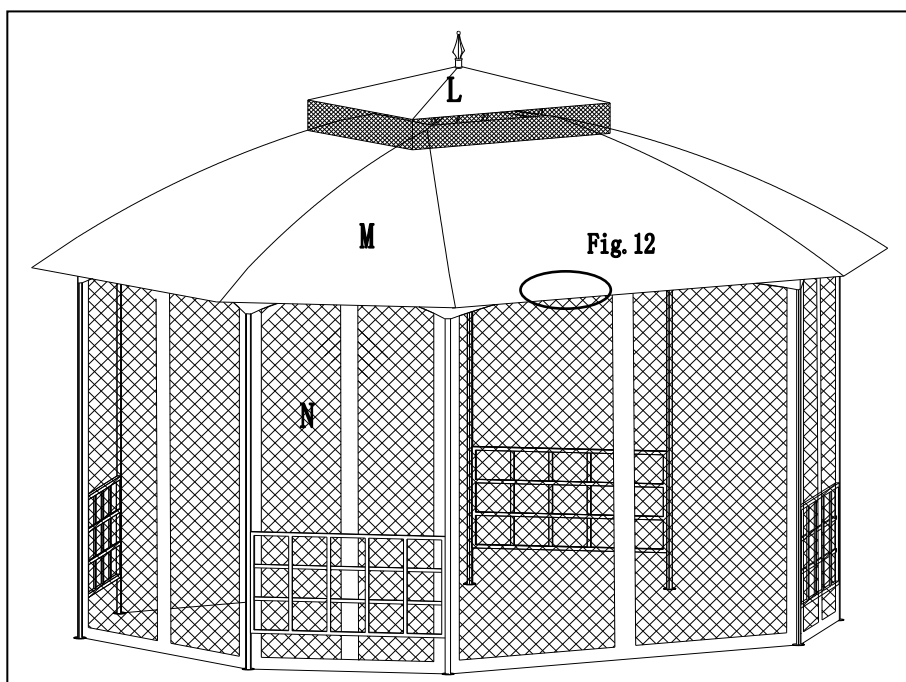


Fig.12: Hanging the mosquito netting (N) to screen 3/1/2 (H/ F/ G) by ring (FF).

## Care and Maintenance

- Our steel components for garden accessories and furniture are treated with rust inhibiting paint that protects it from rusting. However, due to the nature of steel, surface oxidation (rusting) will occur once these protective coatings are scratched. This is not a defect and thus not covered by the warranty.
- To minimize this condition, we recommend care when assembling & handling the product to prevent scratching the paint. Should any scratching or damage occur, we recommend immediate touch-up with rust inhibiting paint.
- Surface rust can also be easily removed with a very light application of common cooking oil. If surface oxidation (rusting) occurs and if no measure is taken to prevent this, the oxidation may start dripping on to deck or patio and caused damaging stains, which may be difficult to remove. This can be prevented if the above-mentioned measures are taken to keep the product from oxidizing.
- Use damp cloth to wipe off the stains as quickly as possible.
- If necessary, wash with a mild solution of soap and water; rinse thoroughly and dry completely.
- Periodically check and ensure that all bolts are well-tighten during use

## Limited Manufacturer's Warranty

Sunjoy Group warrants to the original purchaser that this item is free from defects in workmanship and materials for a period of **1 year** from the date of purchase, provided the item was factory-sealed at the time of purchase and is maintained with care and used only for personal, residential purposes. Should any manufacturing defect arise within this warranty period, Sunjoy Group will replace (at our option) any defective merchandise or parts upon proof of purchase; however, transportation and delivery costs, as well as payments to a third party for assembly or disassembly of the item, remain the responsibility of the purchaser. A purchaser of an "open box," previously-returned, or "clearance" item, as well as original purchasers outside of the warranty period, may obtain replacement parts from Sunjoy Group for products in current production, at nominal cost.

## Exclusions:

Items used for commercial, contract, or other non-residential purposes, or items damaged due to acts of nature, vandalism, misuse, or improper assembly are not covered. Corrosion or rusting of hardware is not covered. Proof of purchase (dated register receipt) is required for warranty claims. Warranty is to the original purchaser and is non-transferable. Any replacement of warranted items will be in the original style and color, or a similar style and color if the original is unavailable or has been discontinued. As some states do not allow exclusions or limitations on an implied warranty, the above exclusions and limitations may not apply. This warranty gives you specific rights, and you may also have other rights, which vary from state to state.