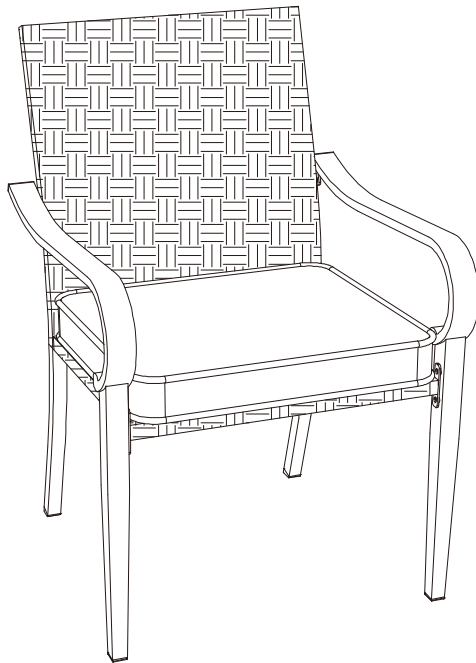


CASTLE PINES



LEGACY



ASSEMBLY INSTRUCTIONS

ITEM#: A222015200

SKU#: 810493506

CASTLE PINES 6PK DINING CHAIRS

Need help? We are here for you! 1 (866) 578-6569 24/7 • Toll Free

GENERAL BEST PRACTICES FOR ASSEMBLY:

- Please read and understand this entire manual before attempting to assemble or install the product.
- Before beginning assembly of product, make sure all parts are present. Compare parts with package contents list and hardware contents list. If any part is missing or damaged, do not attempt to assemble the product.
- Do not place the product on a damp or conductive subsurface.

WARNINGS:

- Chair is for sitting purpose only. Standing on or misuse of chair may result in damage or injury.
Not intended for commercial use.
- WEIGHT LIMIT 250 LBS(113KG).
- Keep all children and pets away from assembly area.
- Children and pets should be supervised when they are in the area of the Chair construction.
- Keep assembly area at least 6 feet from any obstruction such as a fence, garage, house, overhanging branches, laundry line or electrical wires.
- Check all bolts for tightness before use. IMPORTANT - check and tighten bolts often to keep them secure!

WARRANTY:

WHAT IS COVERED ?

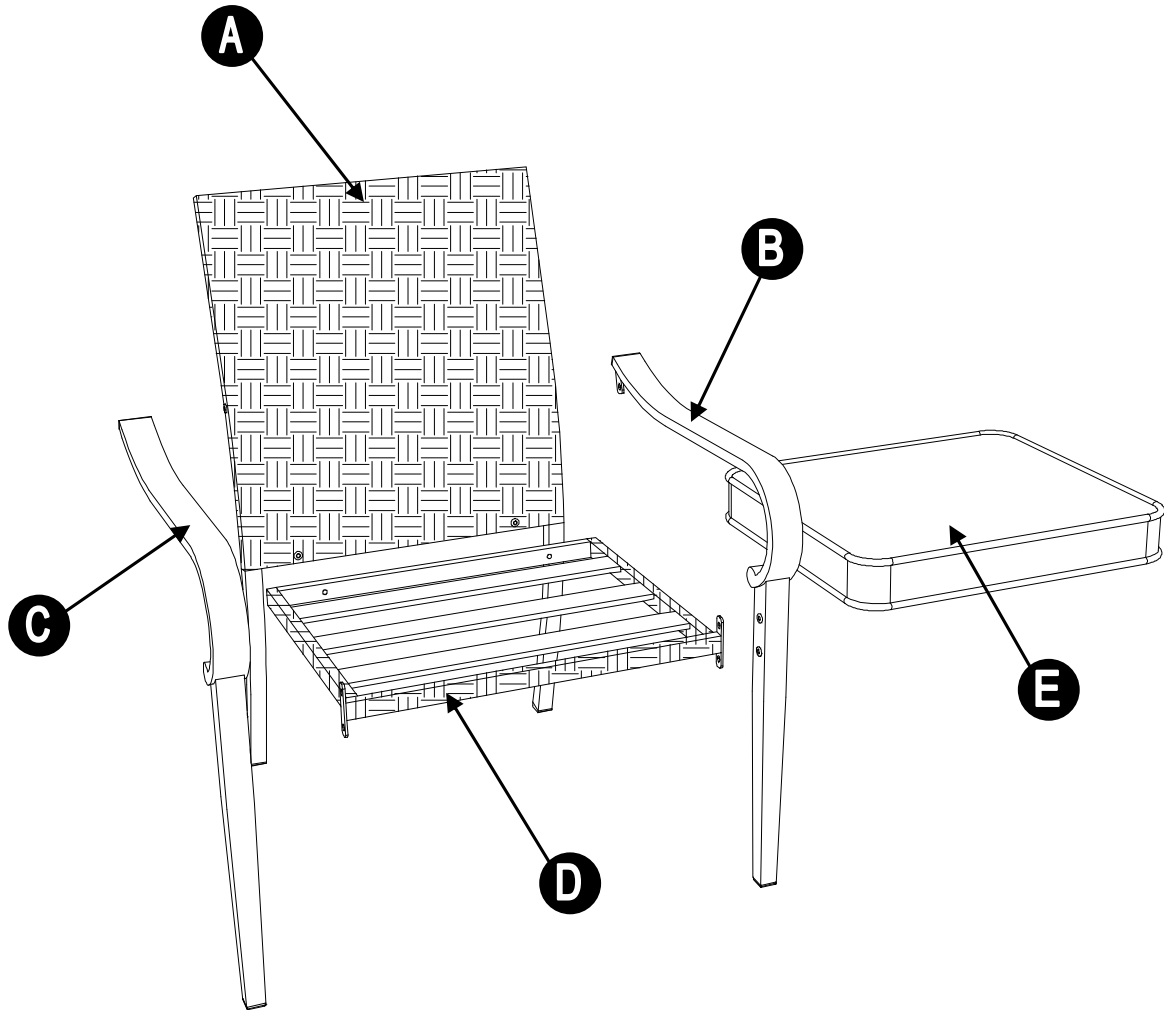
The limited warranty is extended to the original purchaser and applies to material and manufacturer's defect provided the item is maintained with care and used only for personal, residential purposes.

Warranty: 12 months



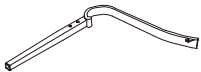




MAINTENANCE:

- Before using, clean the Chair completely with a soft dry towel.
- Do not use harsh abrasives or cleaners.
- When not in use, store in a cool, dry area.

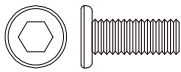
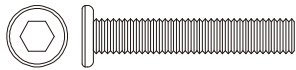

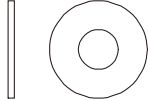

EXPLODED DRAWING



PARTS LIST

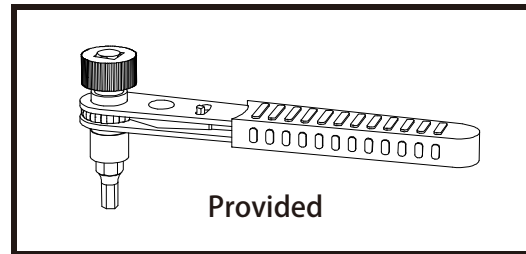
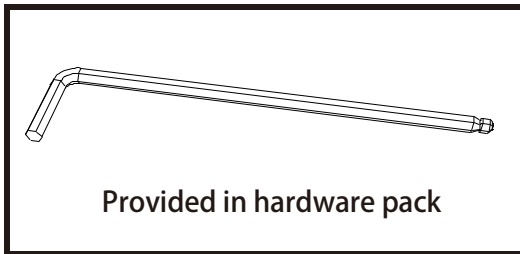
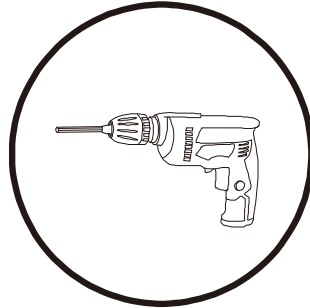
Label	Part Number	Description	Qty	Part Image
A	P001500088	Back	1	
B	P001400303	Armrest (Left)	1	
C	P001400304	Armrest (Right)	1	
D	P001600231	Seat	1	
E	P001800172	Seat Cushion	1	
F	P005300060	Foot pad Pre-assembled	2	
G	P005300040	Foot pad Pre-assembled	2	

HARDWARE LIST

Label	Part Number	Description	Qty	Add	Part Image
H1	H010030030	Bolt M6*15	6	1	
H2	H010030035	Bolt M6*40	2	1	
H3	H050020011	Spring Washer M6	8	1	
H4	H050010023	Flat washer M6	8	1	
HW	H090030002	Wrench M6	1	0	

HELPFUL HINTS

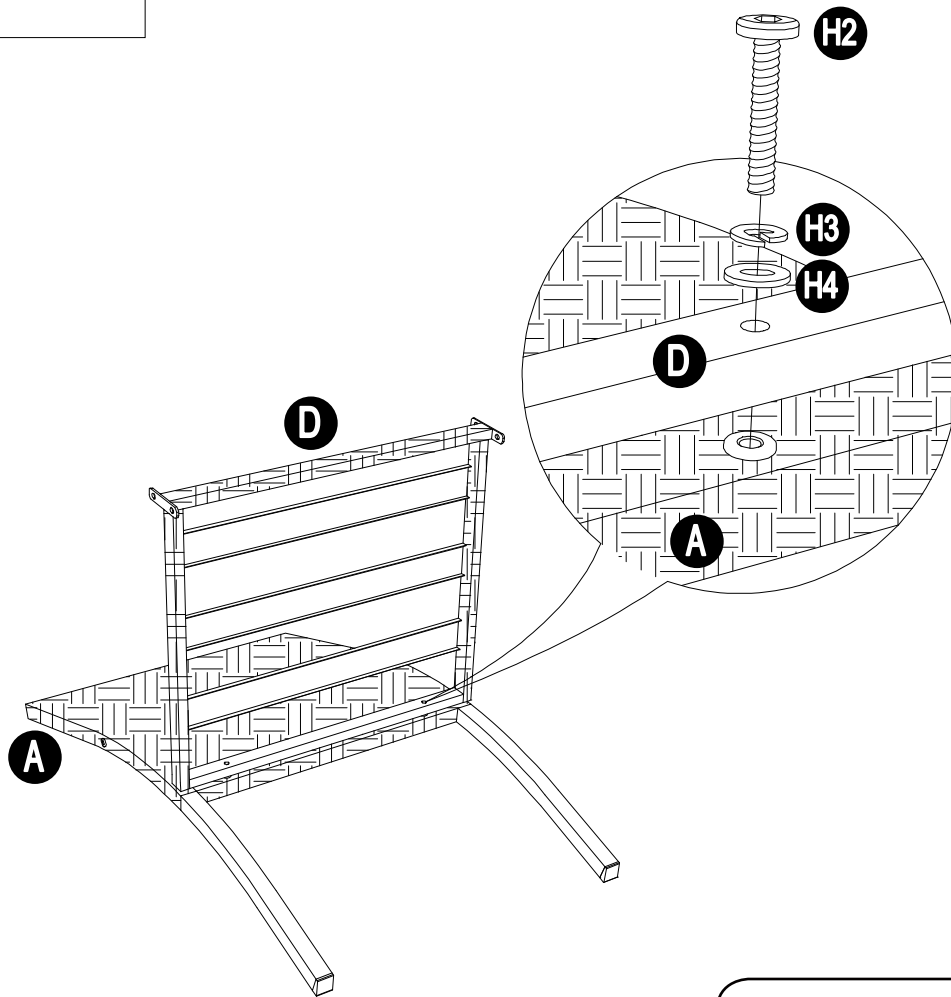
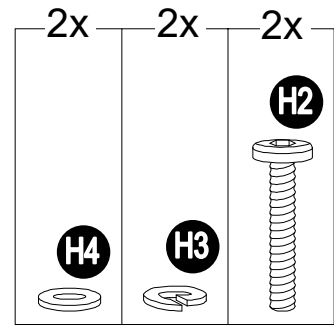
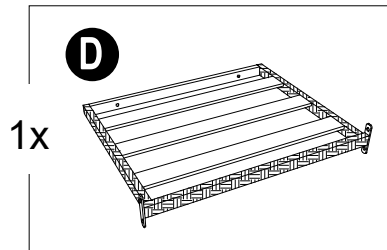
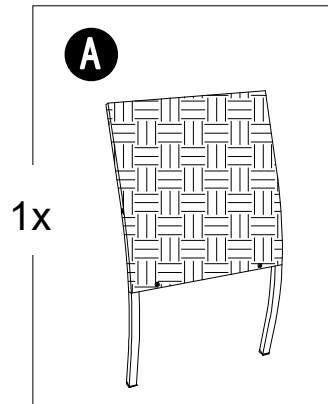
- Tools needed and not included
- Separating parts before starting



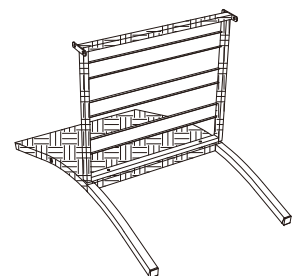
How many people needed for the installation work



STEP 1

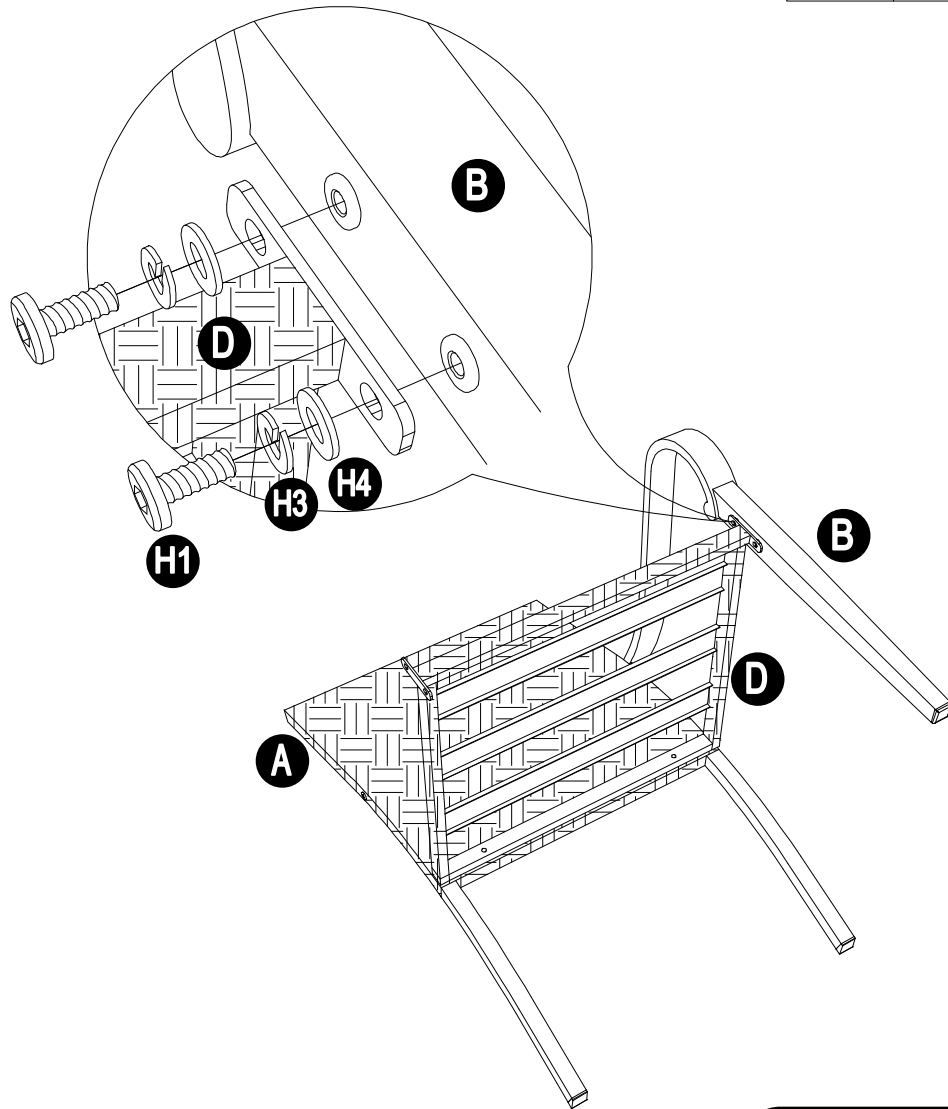
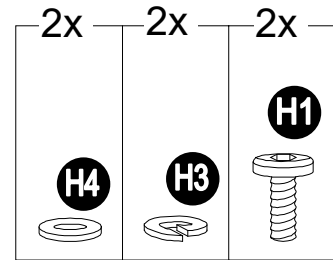
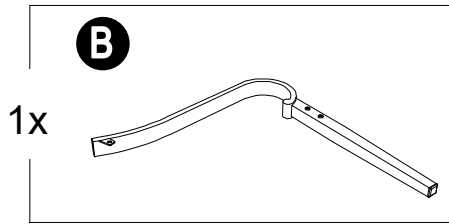


Assembled View:



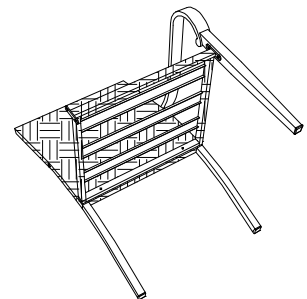
Attached Back(A) to Seat(D) with Bolt(H2), Spring Washer(H3) and Flat washer(H4), tighten the Bolt(H2) to 80% depth with Wrench(HW).

STEP 2

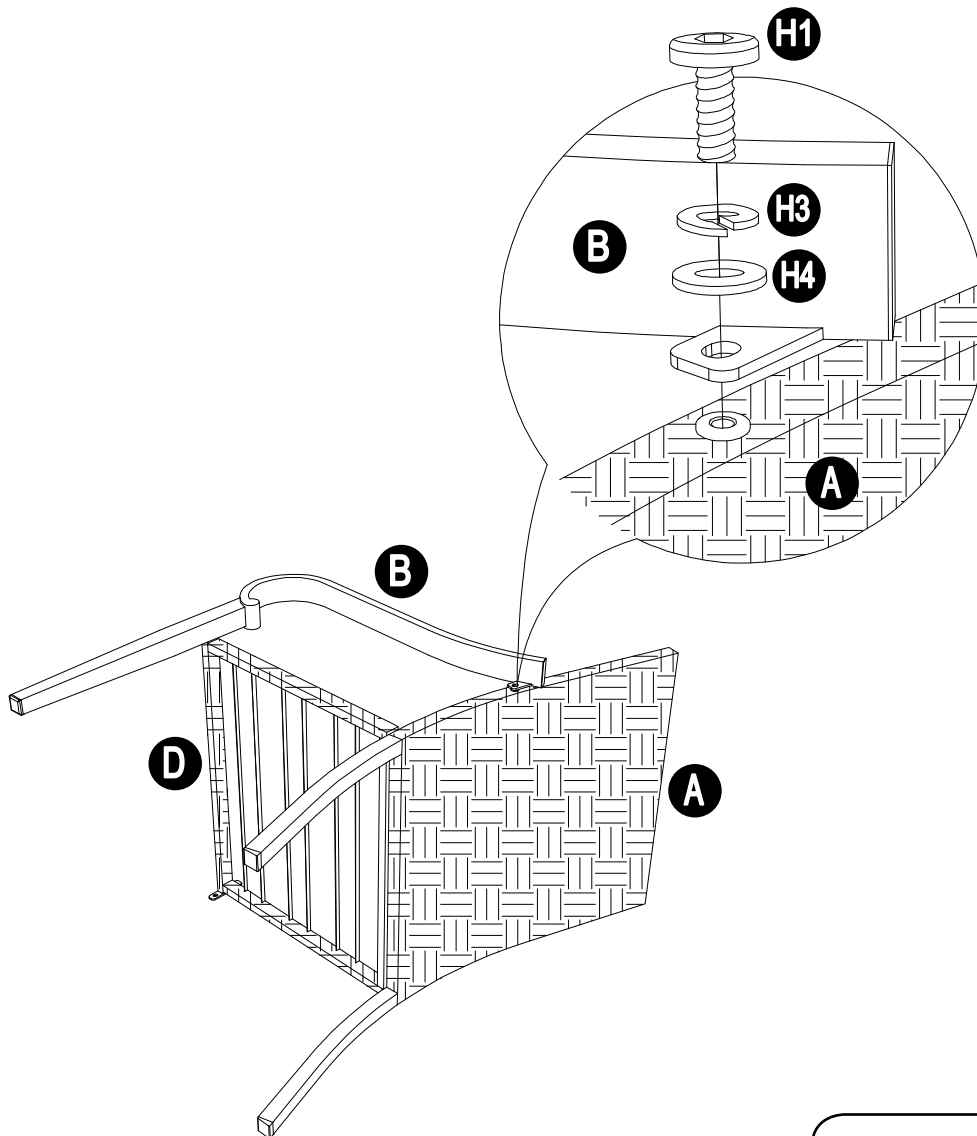
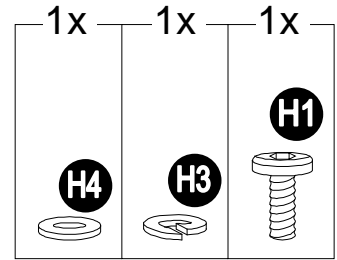


Attached the Armrest (Left)(B) to Seat(D) with Bolt(H1), Spring Washer(H3) and Flat washer(H4), tighten the Bolt(H1) to 80% depth with Wrench(HW).

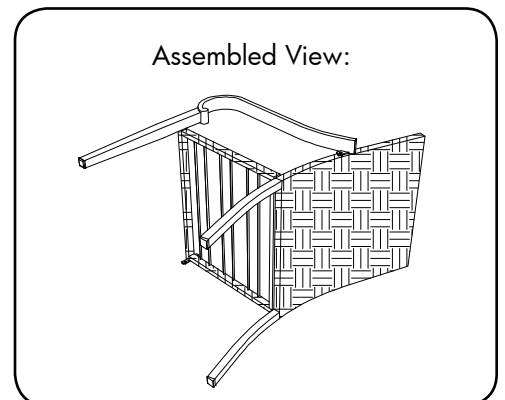
Assembled View:



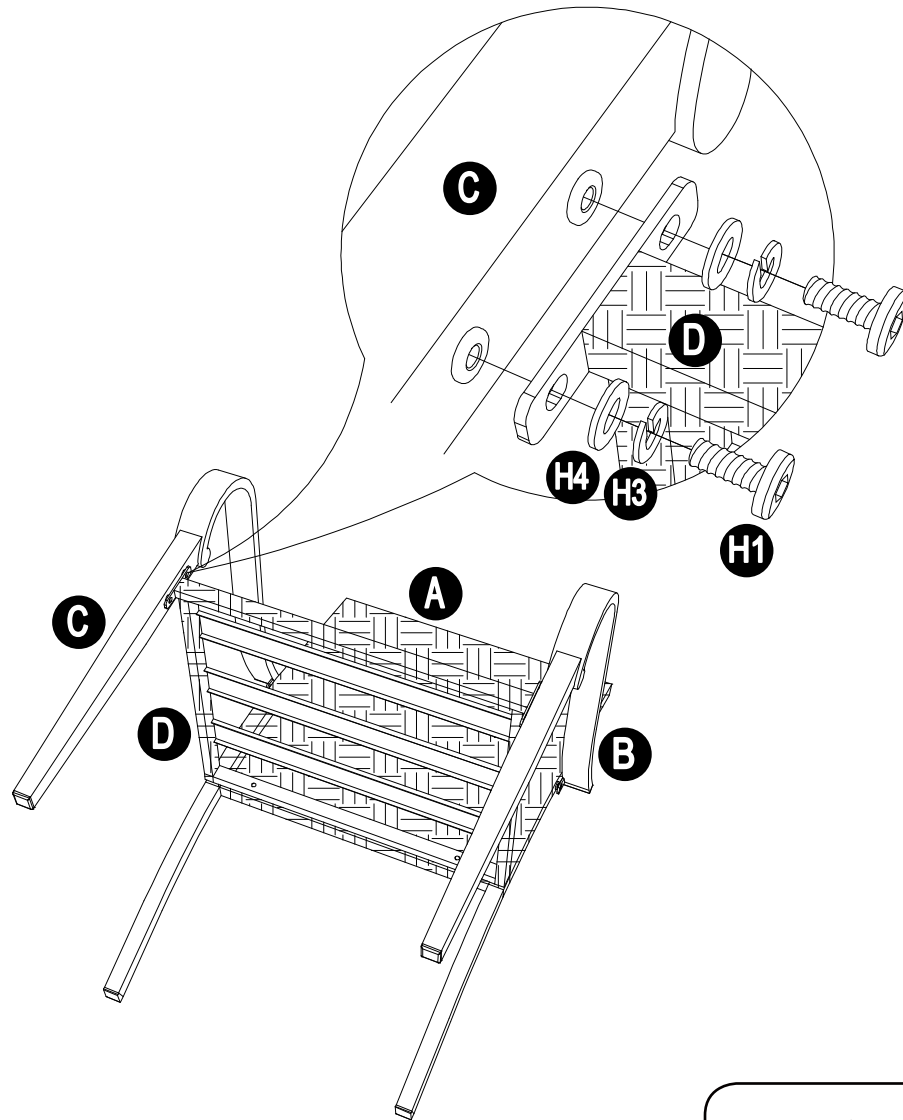
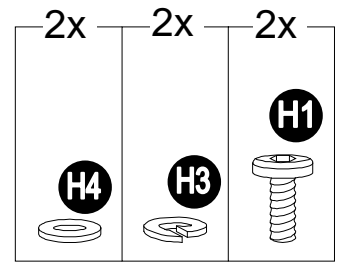
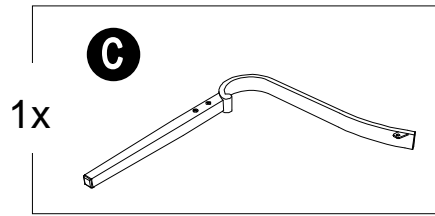
STEP 3



Attached the Armrest (Left)(B) to Back(A) with Bolt(H1), Spring Washer(H3) and Flat washer(H4), tighten the Bolt(H1) to 80% depth with Wrench(HW).

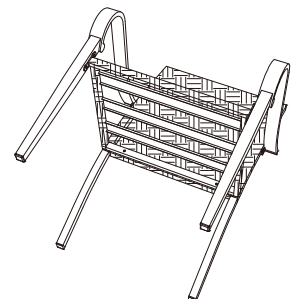


STEP 4

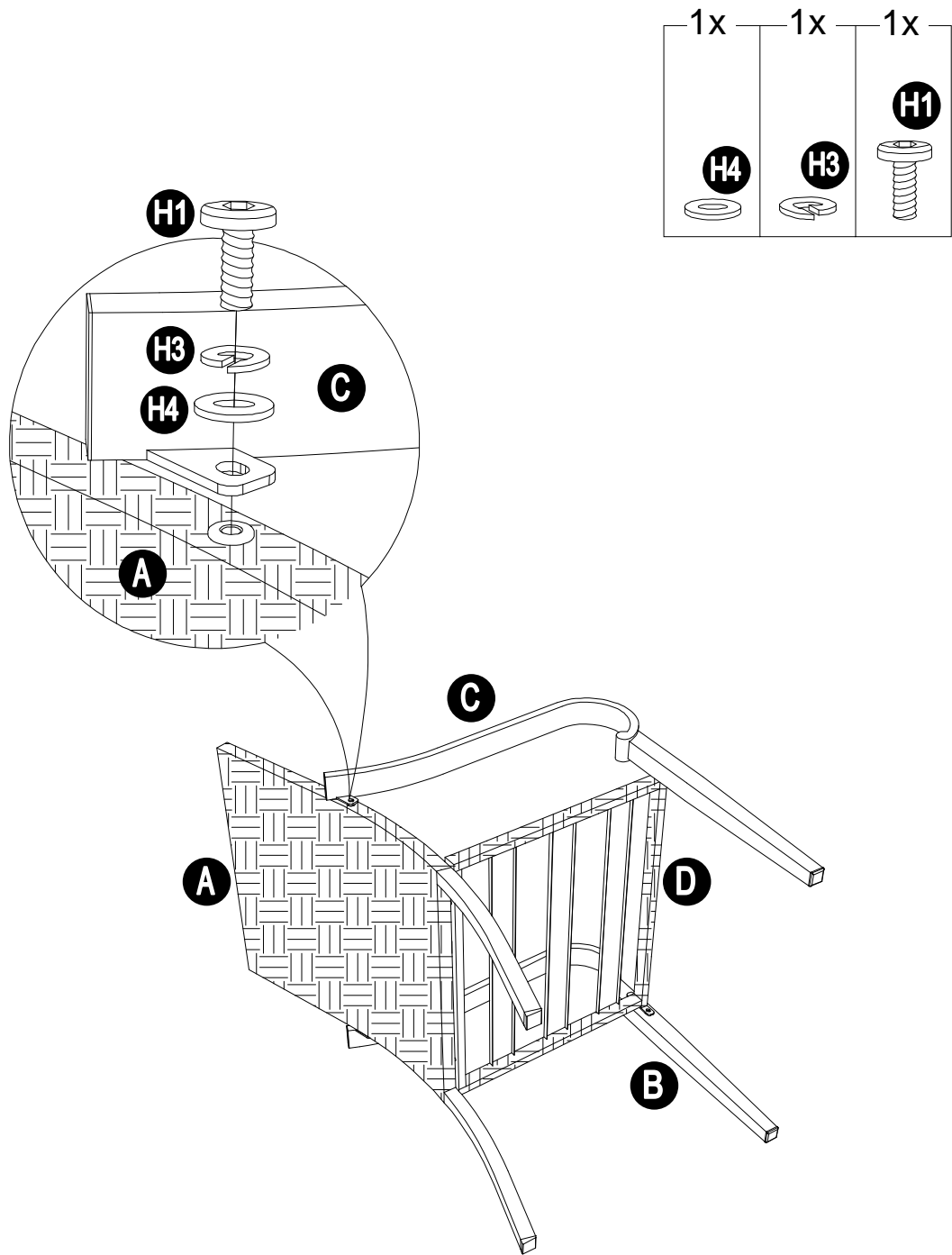


Attached the Armrest (Right)(C) to Seat(D) with Bolt(H1), Spring Washer(H3) and Flat washer(H4), tighten the Bolt(H1) to 80% depth with Wrench(HW).

Assembled View:

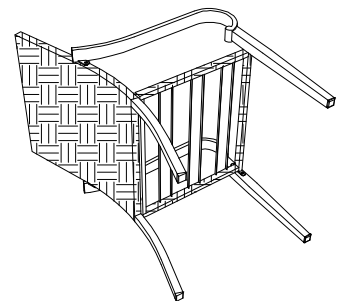


STEP 5

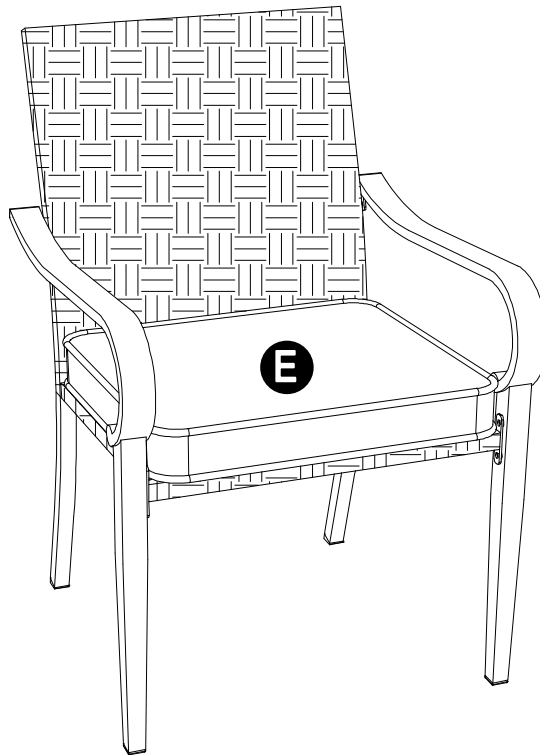
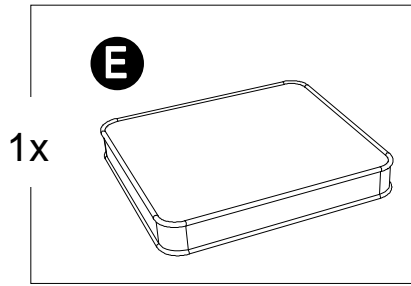


Attached the Armrest (Right)(C) to Back(A) with Bolt(H1), Spring Washer(H3) and Flat washer(H4), tighten all the Bolt to 100% depth with Wrench(HW) at last.

Assembled View:



STEP 6



Put the Seat Cushion(E) on the
Seat(D).

Assembled View:

