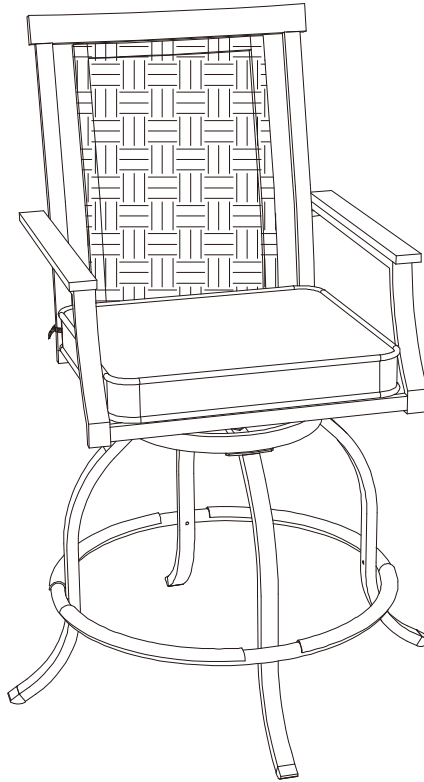


THORNWOOD



Broyhill[®]
SINCE 1905

LEGACY



ASSEMBLY INSTRUCTIONS

ITEM#: A222011904
SKU#: 810493508

THORNWOOD 6PK HIGH DINING CHAIRS

Need help? We are here for you! 1 (866) 578-6569 24/7 • Toll Free

GENERAL BEST PRACTICES FOR ASSEMBLY:

- Please read and understand this entire manual before attempting to assemble or install the product.
- Before beginning assembly of product, make sure all parts are present. Compare parts with package contents list and hardware contents list. If any part is missing or damaged, do not attempt to assemble the product.
- Do not place the product on a damp or conductive subsurface.

WARNINGS:

- Chair is for sitting purpose only. Standing on or misuse of chair may result in damage or injury.
Not intended for commercial use.
- WEIGHT LIMIT 250 LBS(113KG).
- Keep all children and pets away from assembly area.
- Children and pets should be supervised when they are in the area of the Chair construction.
- Keep assembly area at least 6 feet from any obstruction such as a fence, garage, house, overhanging branches, laundry line or electrical wires.
- Check all bolts for tightness before use. IMPORTANT - check and tighten bolts often to keep them secure!

WARRANTY:

WHAT IS COVERED ?

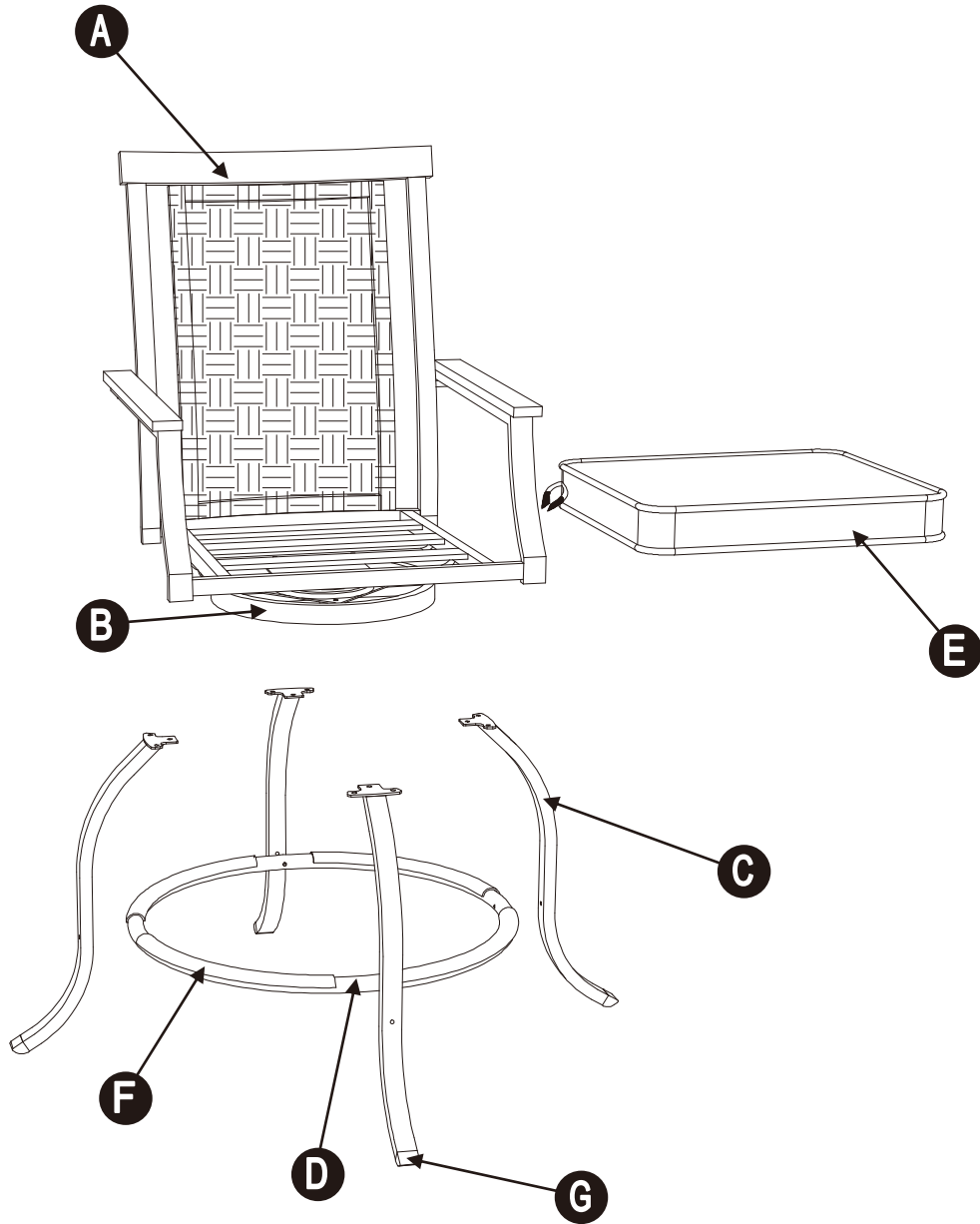
The limited warranty is extended to the original purchaser and applies to material and manufacturer's defect provided the item is maintained with care and used only for personal, residential purposes.

Warranty: 12 months




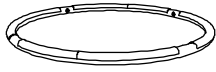
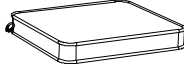




MAINTENANCE:

- Before using, clean the Chair completely with a soft dry towel.
- Do not use harsh abrasives or cleaners.
- When not in use, store in a cool, dry area.
- Steel components for this table are treated with rust inhibiting paint that protects it from rusting. However, due to the nature of steel, surface oxidation (rusting) will occur if these protective coatings are scratched. This is not a defect and thus not covered by the warranty.

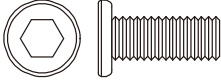
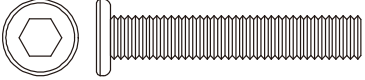

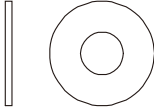

EXPLODED DRAWING



PARTS LIST

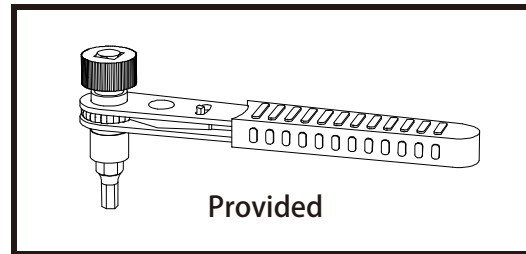
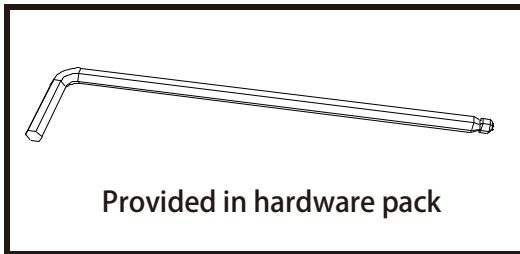
Label	Part Number	Description	Qty	Part Image
A	P004800006	Chair Back	1	
B	P007400028	Rotary Plate Pre-assembled	1	
C	P005400520	Chair Leg	4	
D	P000501537	Footrest	1	
E	P001800173	Seat Cushion	1	
F	P005300082	Foot pad Pre-assembled	4	
G	P005300047	Foot pad Pre-assembled	4	
J	P008100019	Plastic plug Pre-assembled	2	
K	P005300013	Plastic plug Pre-assembled	2	

HARDWARE LIST

Label	Part Number	Description	Qty	Add	Part Image
H1	H010030030	Bolt M6*15	12	2	
H2	H010030023	Bolt M6*35	4	1	
H3	H050020017	Spring Washer M6	16	2	
H4	H050010025	Flat washer M6	16	2	
HW	H090030002	Wrench M6	1	0	

HELPFUL HINTS

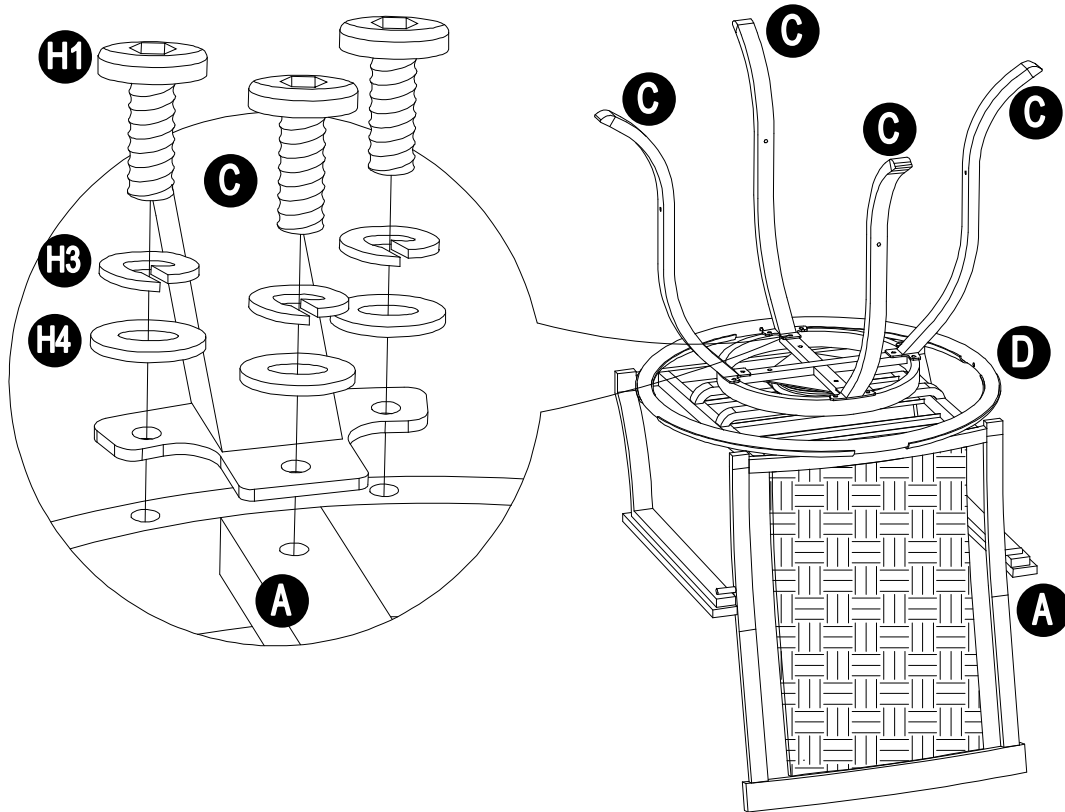
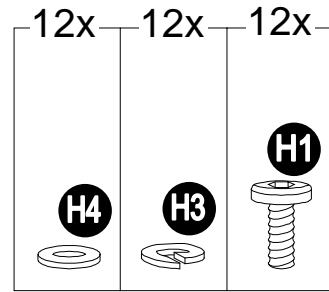
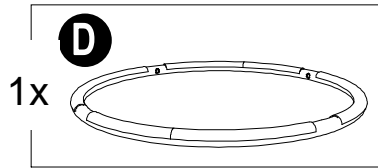
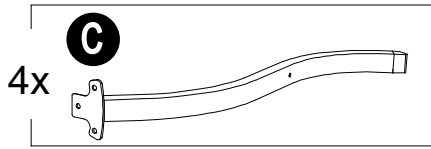
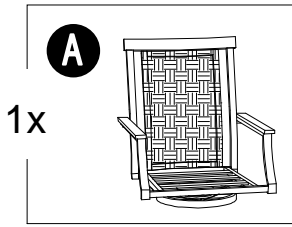
- Separating parts before starting



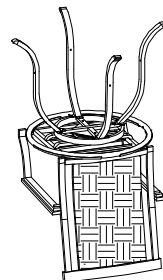
How many people needed for the installation



STEP 1

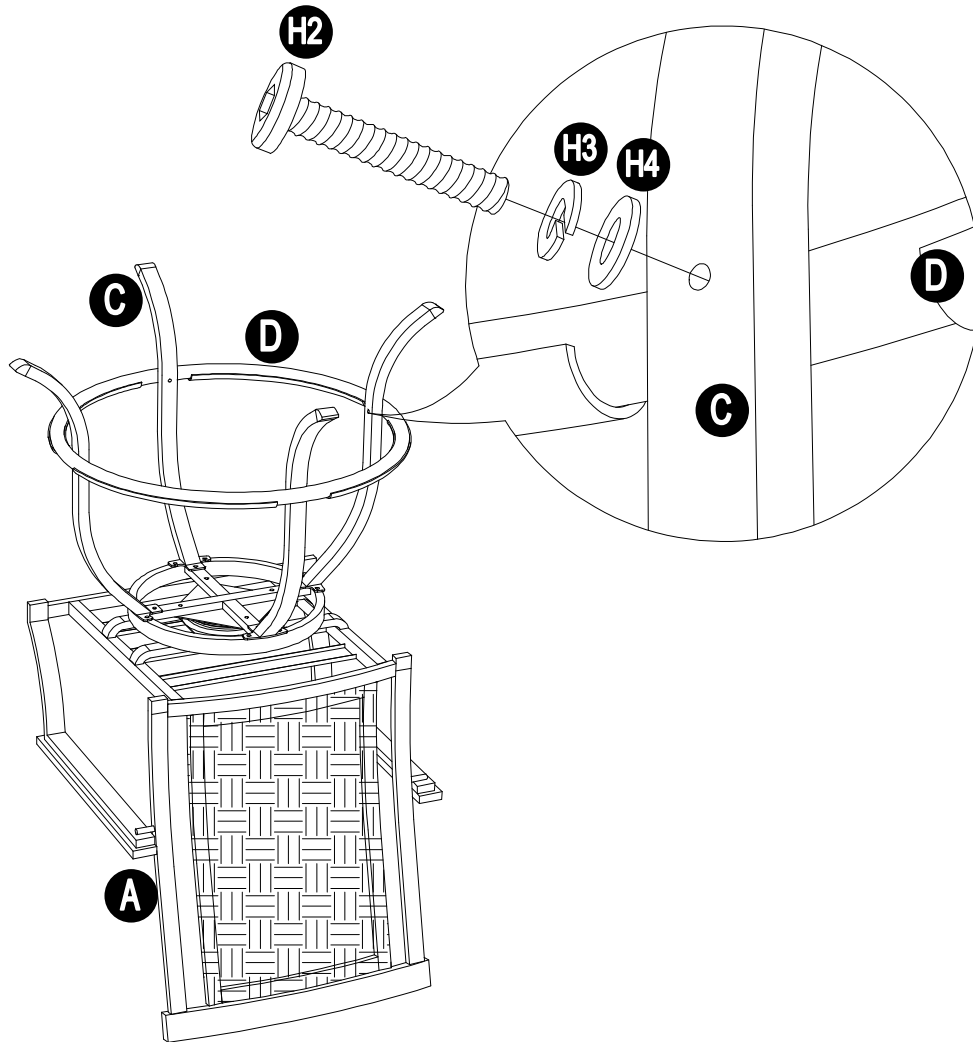
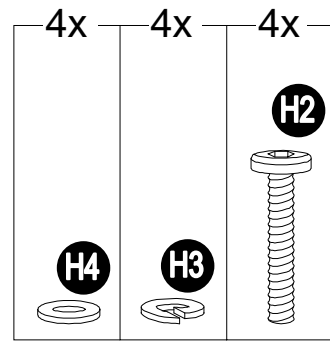


Assembled View:



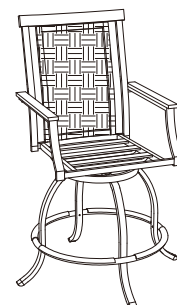
Place the Footrest (D) on the Chair Back (A), then attached Chair Leg (C) to Chair Back (A) with Bolt (H1), Spring Washer (H3) and Flat washer (H4), tighten the Bolt to 80% depth with Wrench(HW).

STEP 2

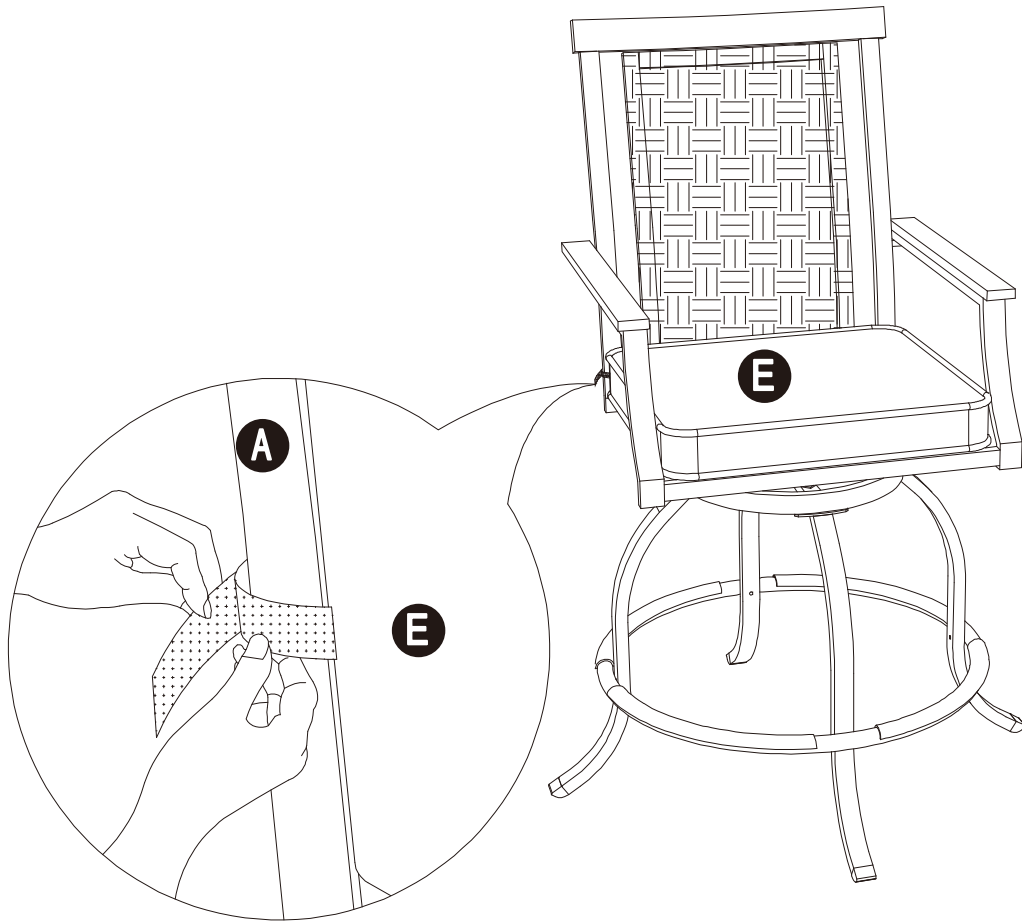
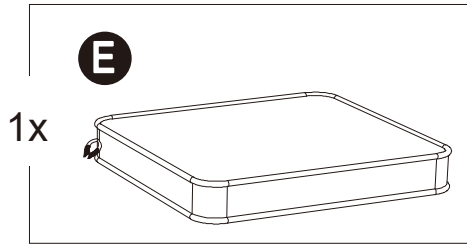


Attached Footrest (D) to Chair Leg (C) with Bolt (H2), Spring Washer (H3) and Flat washer (H4), tighten the Bolt to 100% depth with Wrench(HW).

Assembled View:



STEP 3



Put the Seat Cushion(E) on the Chair
Back(A).

Assembled View:

