



3PC AW WICKER SOFA SET

ASSEMBLY INSTRUCTIONS

ITEM# SW-RK970

SKU# 810503339

DO NOT RETURN THIS PRODUCT TO THE STORE. FOR MISSING PARTS OR QUESTIONS TO THIS PRODUCT PLEASE CALL US AT 1-888-733-8169 OR EMAIL US AT customerservice_01@yeah.net OR customerservice_02@yeah.net OR customerservice_03@yeah.net

IMPORTANT :

Please read all the instructions and warnings before assembling. In order to make the whole product adjust to the best, please install all the screws on the product before fully tighten, and note to put the washer to the screw before putting the screw into the screw hole.

WARNING :

Use the correct screws as indicated. All screws should be hand tighten until the complete piece is assembled (This will make the assembly process much easier). Once the piece is fully assembled, then go back and tighten all screws with provided tool.

Keep all children and pets away from assembly area. Children and pets should be supervised when they are in the area of the product construction.

Keep assembly area at least 6 feet from any obstruction such as a fence, garage, house, overhanging branches, laundry line or electrical wires.

Some parts may contain sharp edges. When assembling and using this product, basic safety precautions should always be followed to reduce the risk of personal injury and damage to the product. Please read all instructions before assembly and use.

The product is for sitting purpose only. The product is not to be used for standing purposes and will not function as a stool or step-ladder. Use on even surfaces only.

Sofa and Lounger tested for use at weight of 350 lb (159kg). Ottoman tested for use at weight of 250 lb (113.6kg). Improper use of this product or failure to use as directed may result in injury. Not intended for commercial use.

CARE & MAINTENANCE

STAIN RESISTANT CUSHIONS CARE — KEEP THE CUSHIONS IN STORAGE IN RAINING DAY.





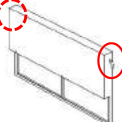















SPILLS: Immediately wipe up the spill using a white damp cloth. Repeat process if necessary until stain is gone. Allow cushion to air dry.

FABRIC CARE: Hand wash cold, non-chlorine bleach when needed, lay flat to dry. Cool iron if necessary. Do not dry clean.

ALL WEATHER WICKER PRODUCT CARE

Before using, clean the product completely with a soft dry towel. When not in use, wipe free of any dirt or loose objects, wash with a mild solution of soap and water, rinse thoroughly and dry completely. Do not use strong detergent or abrasive cleaners. Screws can be loosen over a period of usage, please check the screws occasionally and re-tighten if necessary.

PARTS LIST

NO.	Part	Qty	Image	NO.	Part	Qty	Image
A	Left Arm Board (With Connector Hole)	1		K	Washer	26	
B	Sofa Seat Panel	1		L	Nut	18	
C	Sofa Back Panel (With Connector and Connector Hole)	1		M	Allen Wrench	1	
D	Lounger Seat Panel	1		N	Wrench	1	
E	Lounger Back Panel (With Connector and Connector Hole)	1		O	Plastic Plug	2	
F	Right Arm Board (With Connector)	1		P	Ottoman Cushion	1	
G	Ottoman Seat Board	1		Q	Sofa Seat Cushion	1	
H	Ottoman Side Board	2		R	Lounger Seat Cushion	1	
I	Screw (M6X60MM)	18		S	Small Back Cushion	2	
J	Screw (M6X35MM)	8		T	Big Back Cushion	3	

Warranty

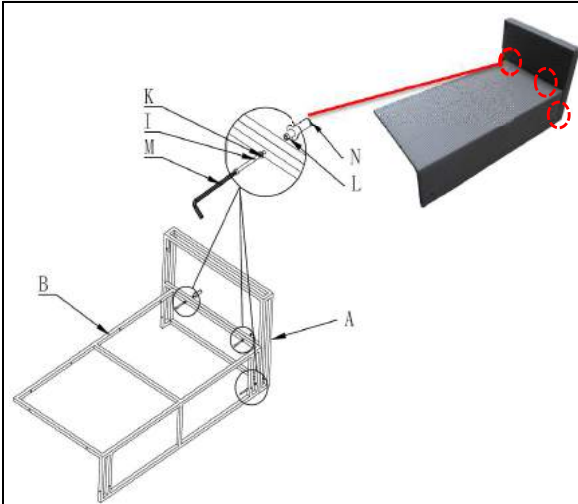
One-year limited warranty.

Proof of purchase (dated register receipt) is required for warranty claims.

It remains the customer's responsibility for freight and packing charges to and from the service center.

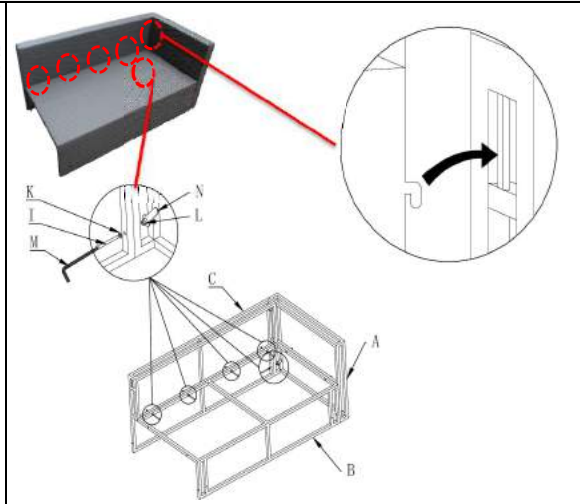
ASSEMBLING SITTING ARRANGEMENT 1

STEP 1



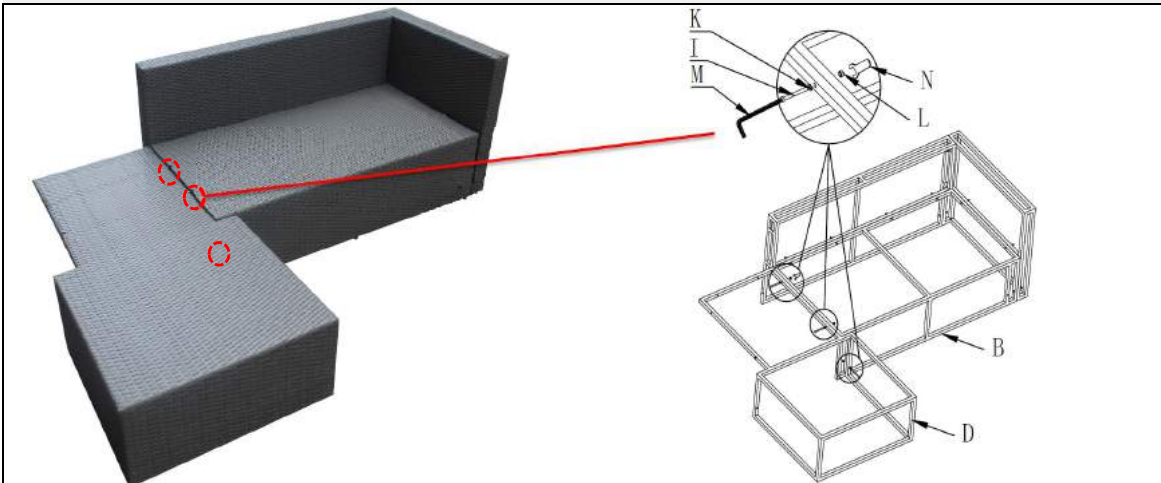
Secure Sofa Seat Panel (B) to Left Arm Board (A) with 3 Screw (I), 3 Washer (K) and 3 Nut (L) by using Allen Wrench (M) and Wrench (N). Do not tighten all screws now.

STEP 2



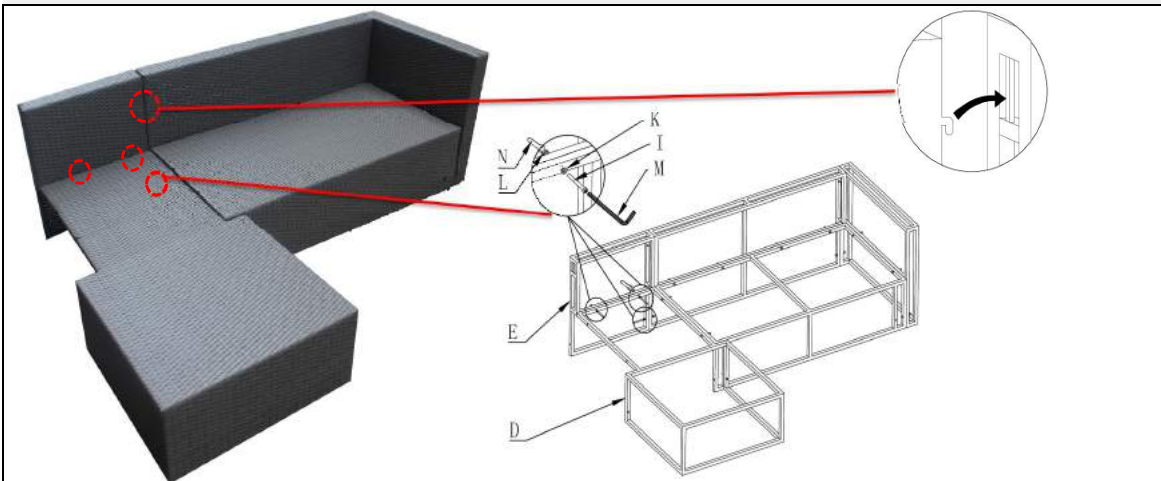
Secure Sofa Back Panel (C) to Left Arm Board (A) and Sofa Seat Panel (B) with 5 Screw (I), 5 Washer (K) and 5 Nut (L) by using Allen Wrench (M) and Wrench (N). Connect Sofa Back Panel (C) to Left Arm Board (A) by Connector. Do not tighten all screws now.

STEP 3

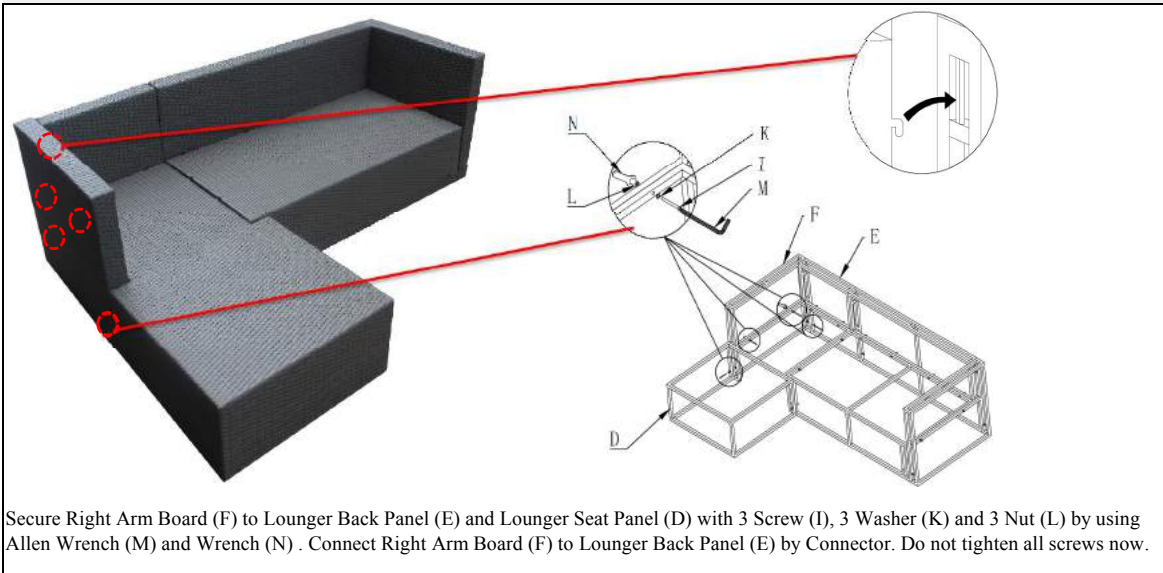


Secure Lounge Seat Panel (D) to Sofa Seat Panel (B) with 3 Screw (I), 3 Washer (K) and 3 Nut (L) by using Allen Wrench (M) and Wrench (N). Do not tighten all screws now.

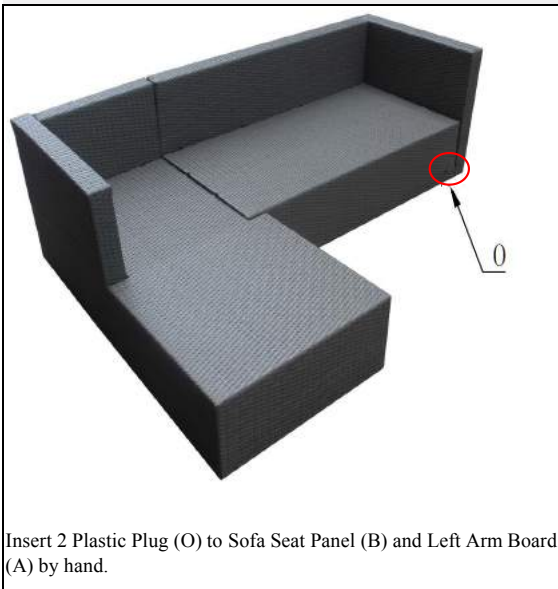
STEP 4



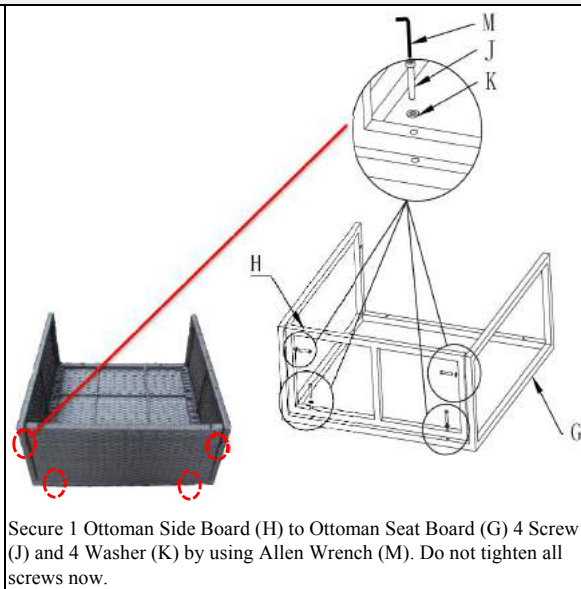
Secure Lounge Back Panel (E) to Lounge Seat Panel (D) and Sofa Back Panel (C) with 3 Screw (I), 3 Washer (K) and 3 Nut (L) by using Allen Wrench (M) and Wrench (N). Connect Lounge Back Panel (E) to Sofa Back Panel (C) by Connector. Do not tighten all screws now.

STEP 5

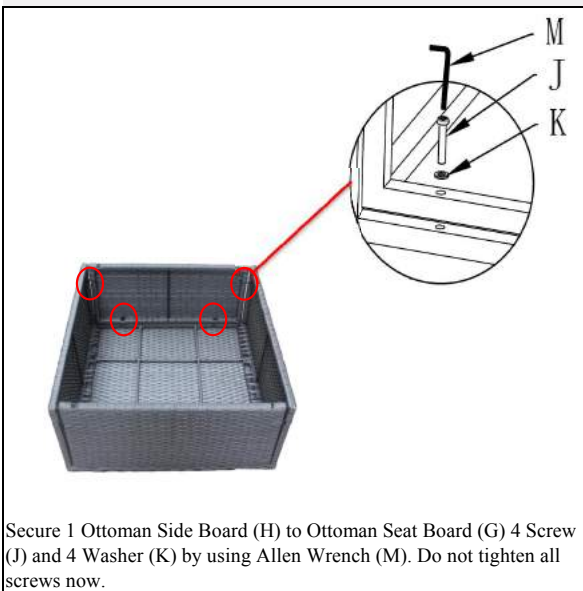
Secure Right Arm Board (F) to Lounger Back Panel (E) and Lounger Seat Panel (D) with 3 Screw (I), 3 Washer (K) and 3 Nut (L) by using Allen Wrench (M) and Wrench (N) . Connect Right Arm Board (F) to Lounger Back Panel (E) by Connector. Do not tighten all screws now.

STEP 6

Insert 2 Plastic Plug (O) to Sofa Seat Panel (B) and Left Arm Board (A) by hand.

STEP 7

Secure 1 Ottoman Side Board (H) to Ottoman Seat Board (G) 4 Screw (J) and 4 Washer (K) by using Allen Wrench (M). Do not tighten all screws now.

STEP 8

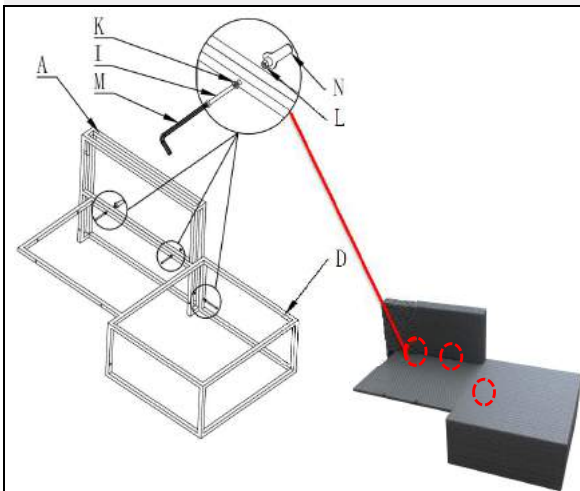
Secure 1 Ottoman Side Board (H) to Ottoman Seat Board (G) 4 Screw (J) and 4 Washer (K) by using Allen Wrench (M). Do not tighten all screws now.

STEP 9

Verify the alignment and adjust, fully tighten all screws. Put cushions on assembled sofa set.

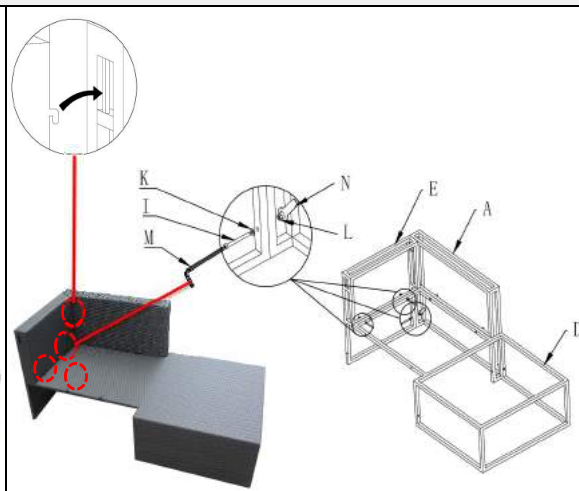
ASSEMBLING SITTING ARRANGEMENT 2

STEP 1



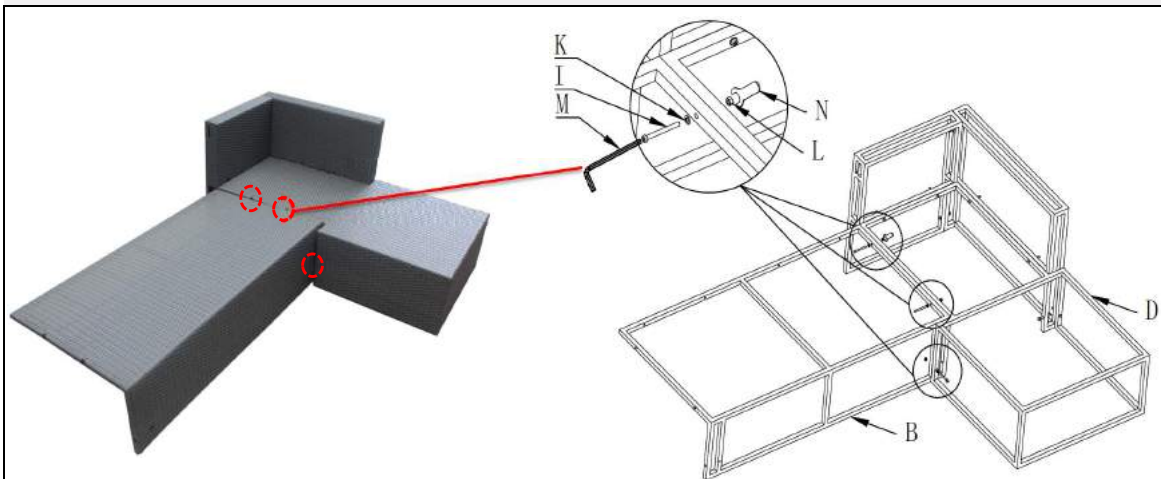
Secure Left Arm Board (A) to Lounge Seat Panel (D) with 3 Screw (I), 3 Washer (K) and 3 Nut (L) by using Allen Wrench (M) and Wrench (N) . Do not tighten all screws now.

STEP 2



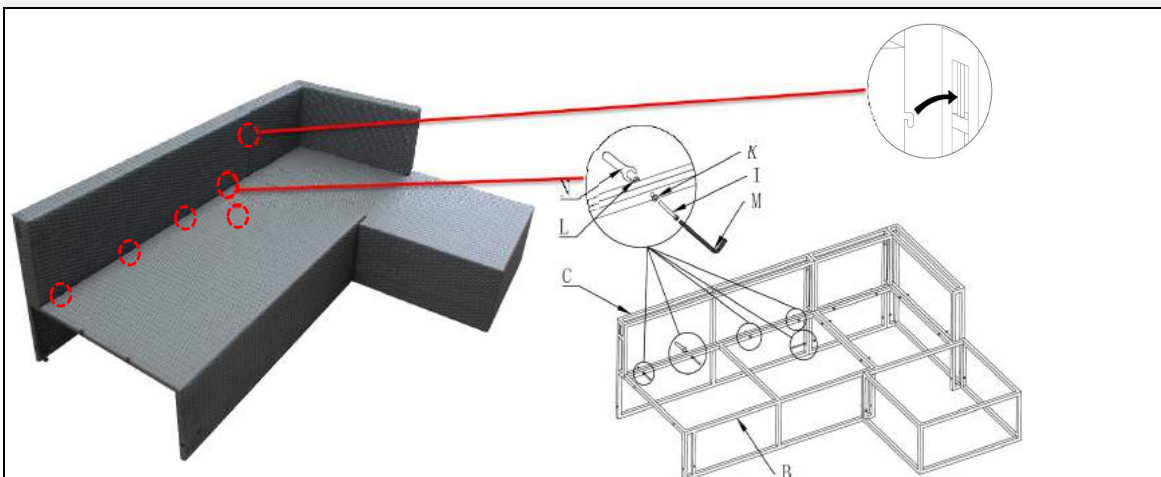
Secure Lounge Back Panel (E) to Left Arm Board (A) and Lounge Seat Panel (D) with 3 Screw (I), 3 Washer (K) and 3 Nut (L) by using Allen Wrench (M) and Wrench (N) . Connect Lounge Back Panel (E) to Left Arm Board (A) by Connector. Do not tighten all screws now.

STEP 3



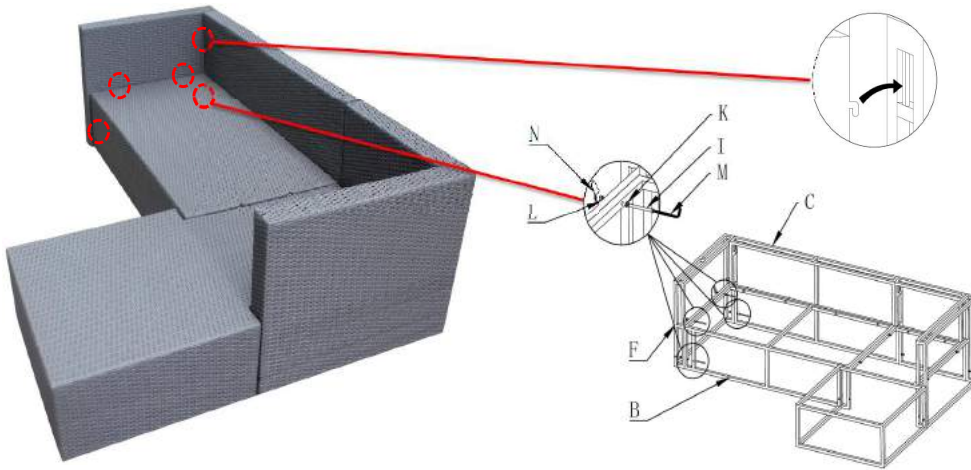
Secure Sofa Seat Panel (B) to Lounge Seat Panel (D) with 3 Screw (I), 3 Washer (K) and 3 Nut (L) by using Allen Wrench (M) and Wrench (N) . Do not tighten all screws now.

STEP 4



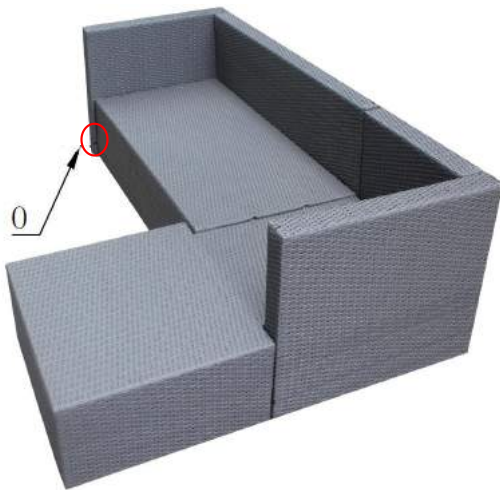
Secure Sofa Back Panel (C) to Sofa Seat Panel (B) and Lounge Back Panel (E) with 5 Screw (I), 5 Washer (K) and 5 Nut (L) by using Allen Wrench (M) and Wrench (N) . Connect Sofa Back Panel (C) to Lounge Back Panel (E) by Connector. Do not tighten all screws now.

STEP 5



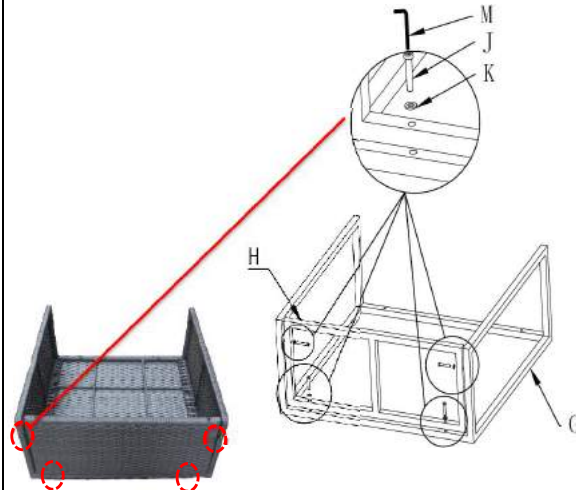
Secure Right Arm Board (F) to Sofa Seat Panel (B) and Sofa Back Panel (C) with 4 Screw (I), 4 Washer (K) and 4 Nut (L) by using Allen Wrench (M) and Wrench (N) . Connect Right Arm Board (F) to Sofa Back Panel (C) by Connector. Do not tighten all screws now.

STEP 6



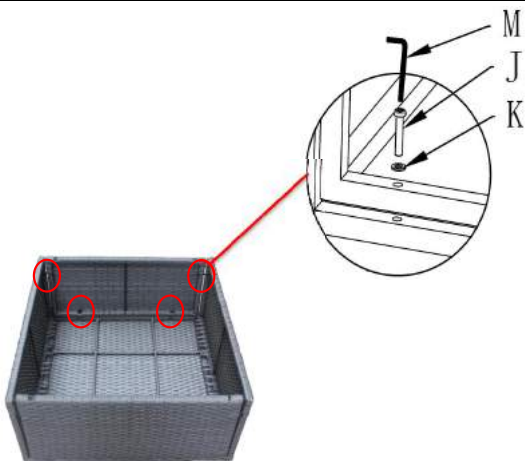
Insert 2 Plastic Plug (O) to Sofa Seat Panel (B) and Right Arm Board (F) by hand.

STEP 7



Secure 1 Ottoman Side Board (H) to Ottoman Seat Board (G) 4 Screw (J) and 4 Washer (K) by using Allen Wrench (M). Do not tighten all screws now.

STEP 8



Secure 1 Ottoman Side Board (H) to Ottoman Seat Board (G) 4 Screw (J) and 4 Washer (K) by using Allen Wrench (M). Do not tighten all screws now.

STEP 9



Verify the alignment and adjust, fully tighten all screws. Put cushions on assembled sofa set.