

ASSEMBLY INSTRUCTIONS

ITEM#: BS21151-2

SKU# 810505052

MADISON 2 PK ALL WEATHER WICKER ROCKERS

Need help? We are here for you! 1-800-730-5292 Toll Free
Call us between 9:00am--4:00pm Eastern Time Monday through Friday

WARNINGS:

- ★ SEPARATE AND IDENTIFY ALL OF THE PARTS, MAKING SURE THAT YOU HAVE ALL OF THE PARTS LISTED.
- ★ IF YOU DO NOT LOCATE ALL OF PARTS LISTED, INSPECT THE PACKING MATERIAL FOR SMALL PARTS THAT MAY HAVE BECOME SEPARATED DURING SHIPMENT.
- ★ DO NOT DISCARD OF ANY OF THE PACKAGING UNTIL YOU HAVE CHECKED THAT YOU HAVE ALL OF THE PARTS AND FITTINGS REQUIRED.
- ★ **USE THE CORRECT BOLTS AS INDICATED. ALL BOLTS SHOULD BE HAND TIGHT UNTIL THE COMPLETE PIECE IS ASSEMBLED (THIS WILL MAKE THE ASSEMBLY PROCESS MUCH EASIER). ONCE THE PIECE IS FULLY ASSEMBLED, THEN GO BACK AND TIGHTEN ALL BOLTS WITH PROVIDED TOOL.**
- ★ KEEP CHILDREN AWAY DURING ASSEMBLY. THIS ITEM CONTAINS SMALL PARTS THAT CAN BE SWALLOWED BY CHILDREN. CHILDREN SHOULD ALWAYS BE UNDER DIRECT ADULT SUPERVISION WHILE USING THIS PRODUCT.
- ★ IF YOU EXPERIENCE ANY DIFFICULTY DURING ASSEMBLY OR IF ANY PARTS ARE MISSING OR DAMAGED, CALL THE HELP LINE AT 1-800-730-5292 BEFORE RETURNING THIS ITEM TO THE STORE.
- ★ PROVIDE THE FOLLOWING INFORMATION WHEN CALLING:
 - 1- MODEL NUMBER OF THE PRODUCT.
 - 2- PART NUMBER AND MATERIAL CODE OF THE PART FROM THE PARTS LIST.
- ★ MOST PROBLEMS CAN BE RESOLVED WITHOUT RETURNING THIS PRODUCT TO THE RETAILER.
- ★ CHAIR IS FOR SITTING PURPOSES ONLY. STANDING ON OR MISUSE OF CHAIR MAY RESULT IN DAMAGE OR INJURY. NOT INTENDED FOR COMMERCIAL USE. WEIGHT LIMIT IS **250 LBS (113 KG)**.
- ★ RETAIN THESE ASSEMBLY INSTRUCTIONS FOR FUTURE REFERENCE.

MAINTENANCE:

- The cushion covers may be washed only by using mild soap and water or a commercial foaming upholstery cleaner if necessary. If washed, rinse well and hang to dry. Do not machine wash or dry.
- We recommend the use of furniture covers (sold separately) when the rocker is not in use.
- In order to prolong the life and beauty of your chair, we recommend that it be stored in a dry and protected area during off season periods.

Warranty

- This product is covered by Sunbay Company Ltd with one-year limited warranty.
- Proof of purchase (dated register receipt) is required for warranty claims.
- It remains the customer's responsibility for freight and packing charges to and from the service center.



PARTS LIST



A

x2

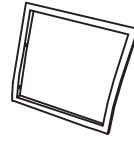
RIGHT ARM



B

x2

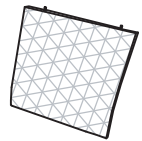
LEFT ARM



C

x2

BACK ASSEMBLY



D

x2

BACK ASSEMBLY



E

x2

SEAT ASSEMBLY



J

x2

BACK CUSHION

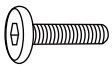


K

x2

SEAT CUSHION

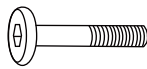
HARDWARE LIST



F

x8

BOLT M6*30



G

x12

BOLT M6*50



H

x20

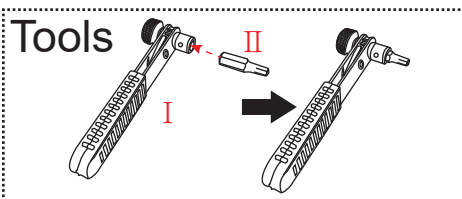
WASHER



I

x20

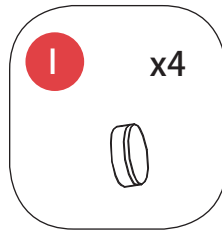
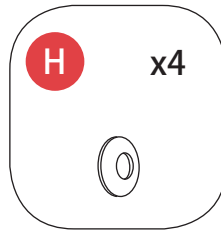
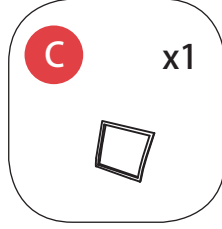
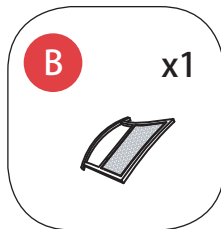
CAP



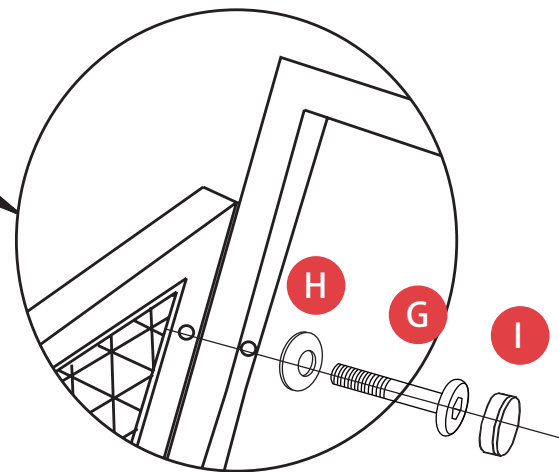
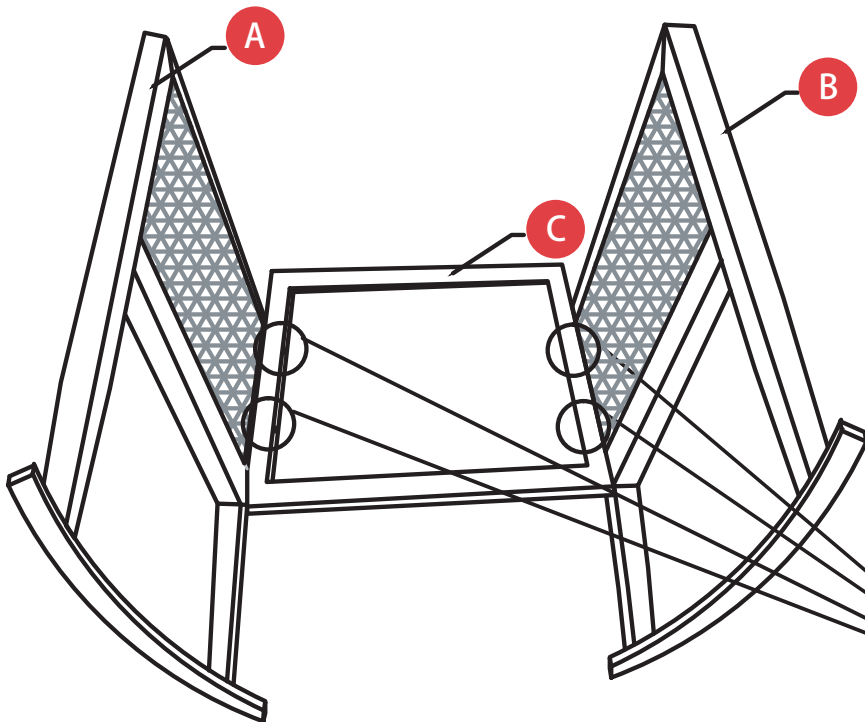
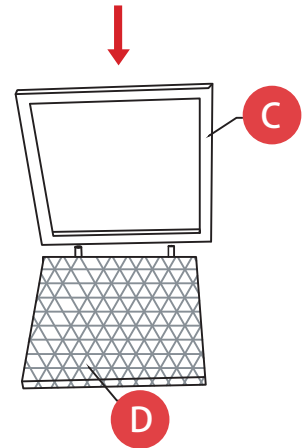
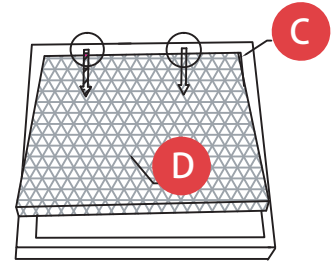
STEP 1

Attention:

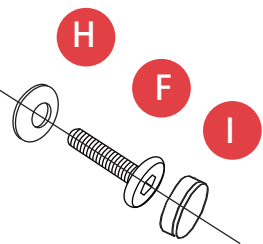
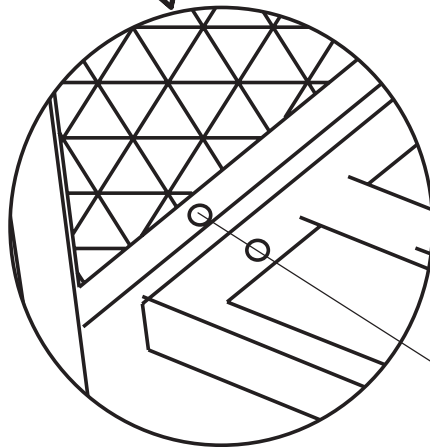
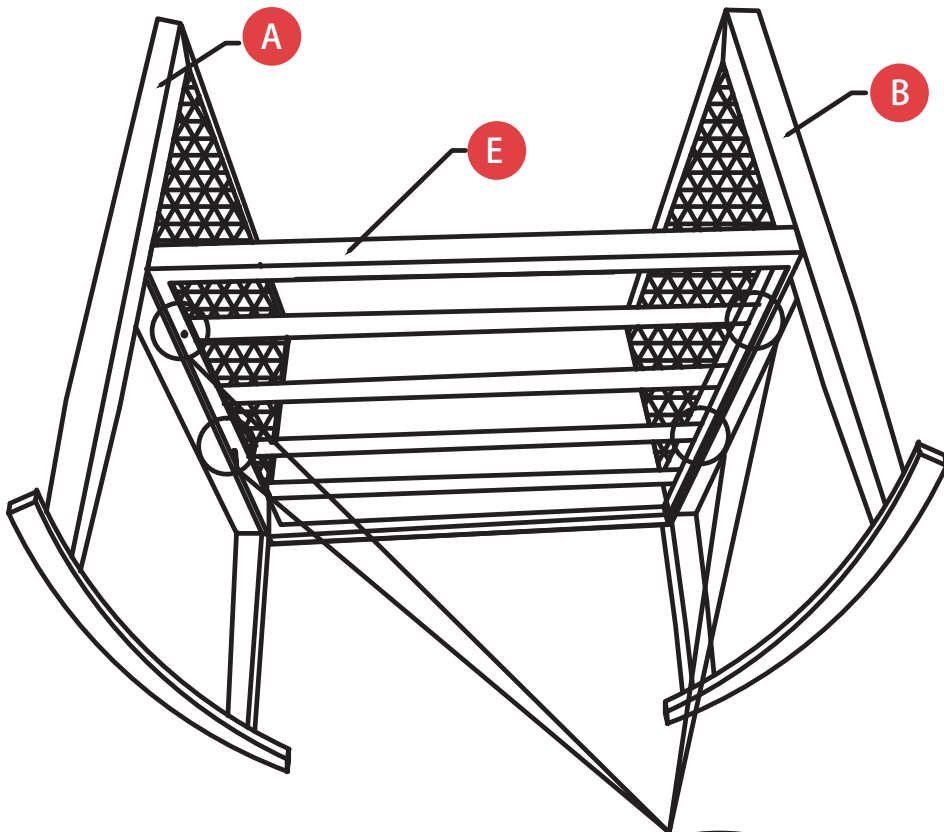
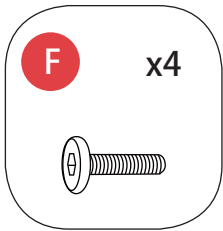
Make sure that each bolt needed for all steps matches the corresponding figure to ensure proper assembly.



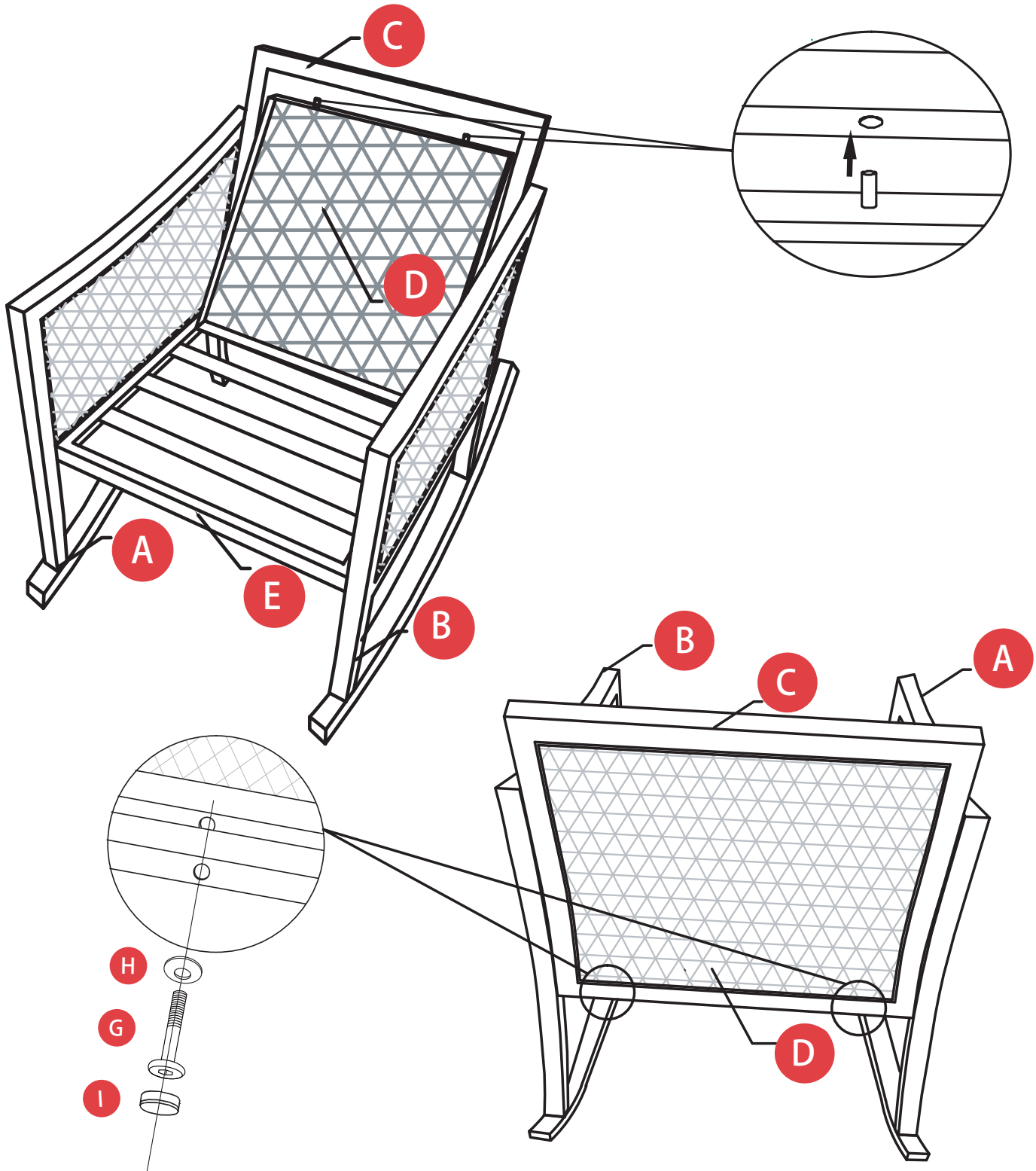
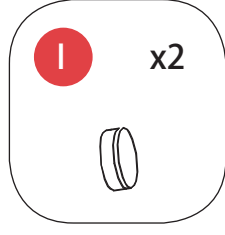
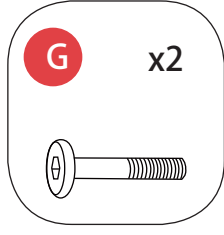
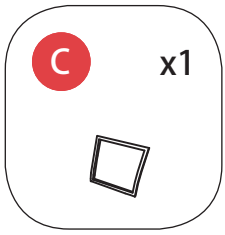
*Please take off the wicker back from the frame before following assembly step.



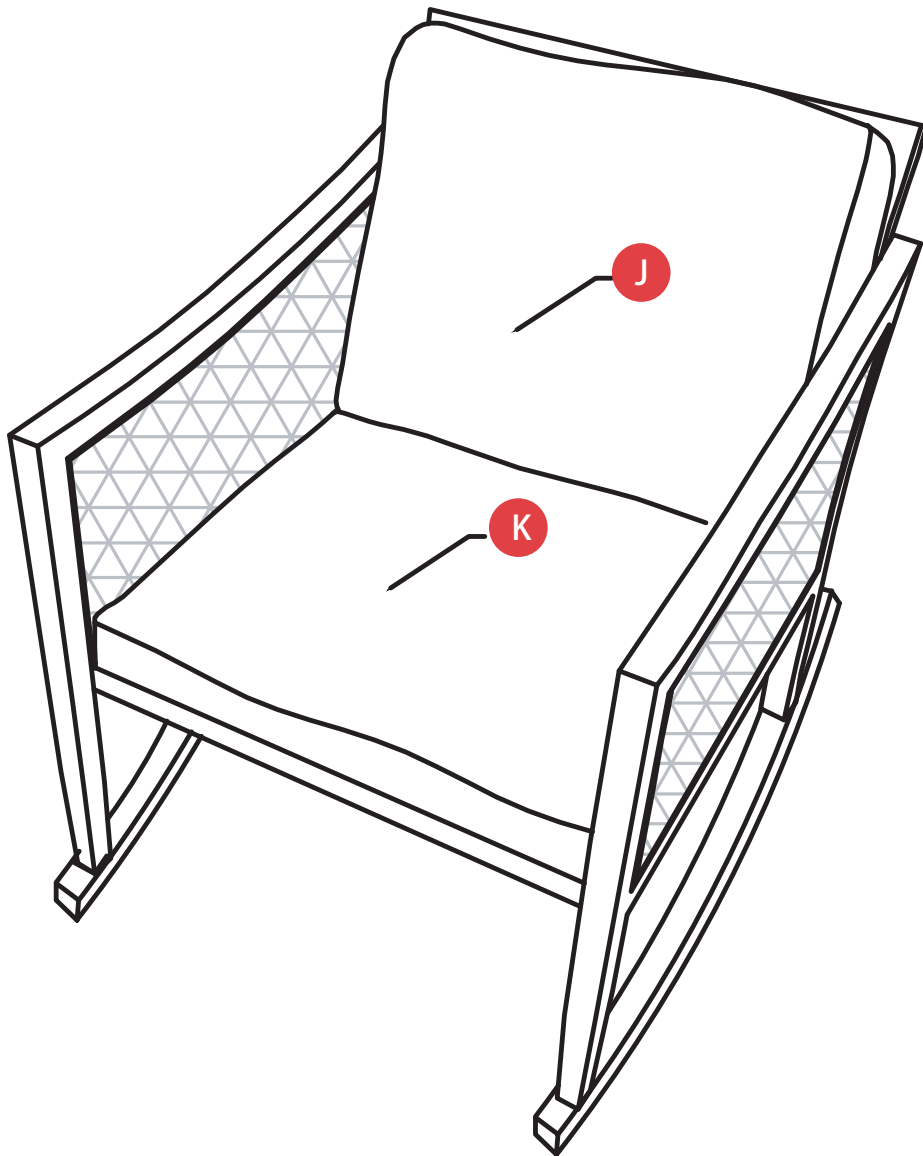
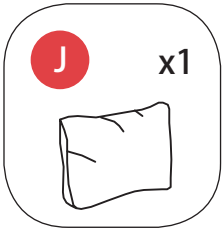
STEP 2



STEP 3



STEP 4



STEP 5

****Repeat step 1 to step 4 to assemble the other rocker.**

