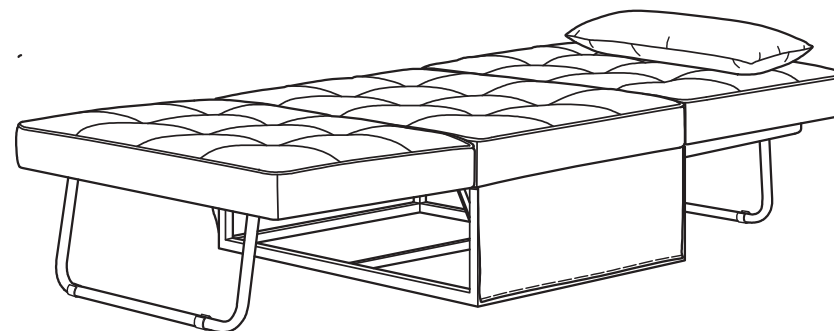
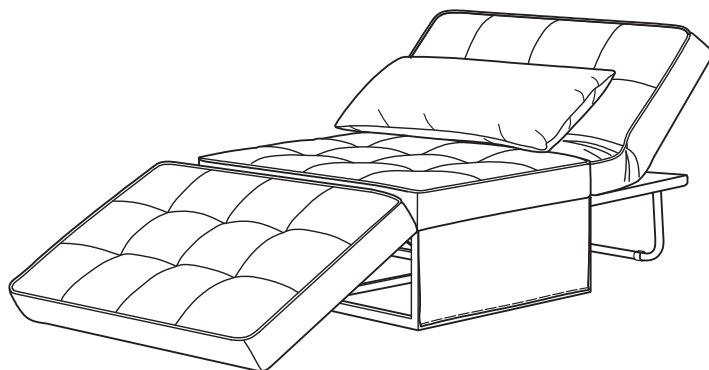
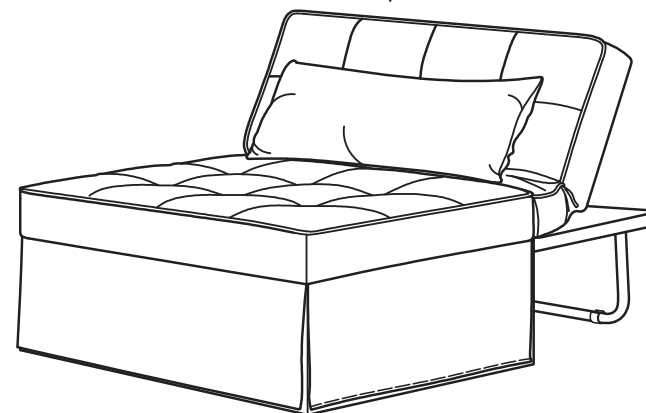
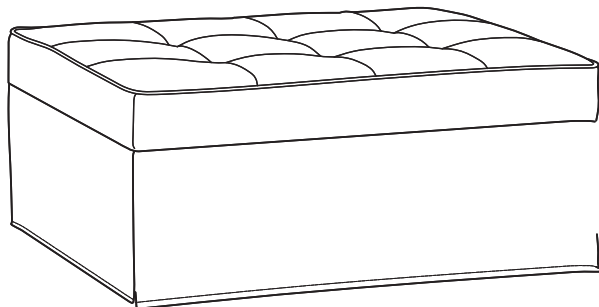


OTTOMAN CHAIR CHAISE BED

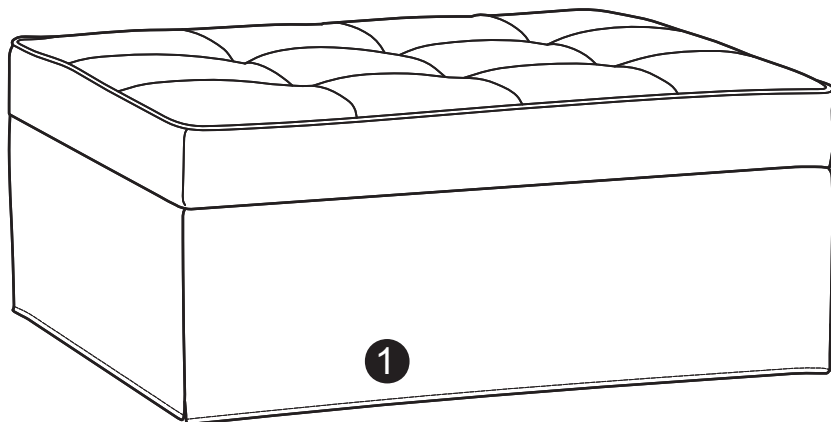
ASSEMBLY INSTRUCTIONS



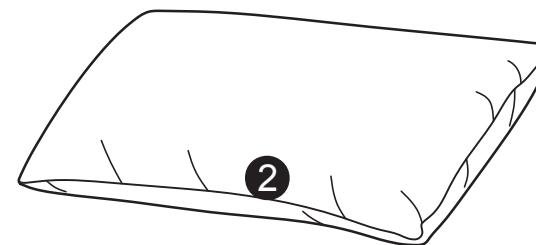
WARNING

- This product has been designed for seating one (1) average adult. To prevent injury and damage to this unit, PROHIBIT jumping on it.
- This product is designed for home use and not intended for commercial use.
- Children under the age of 5, small infants and babies should not sleep alone on this product for safety reasons.
- Recommended # of people needed for handling: 2 (This product does not require assembly.)
- THIS INSTRUCTION BOOKLET CONTAINS **IMPORTANT** SAFETY INFORMATION. PLEASE READ AND KEEP FOR FUTURE REFERENCE.

PARTS

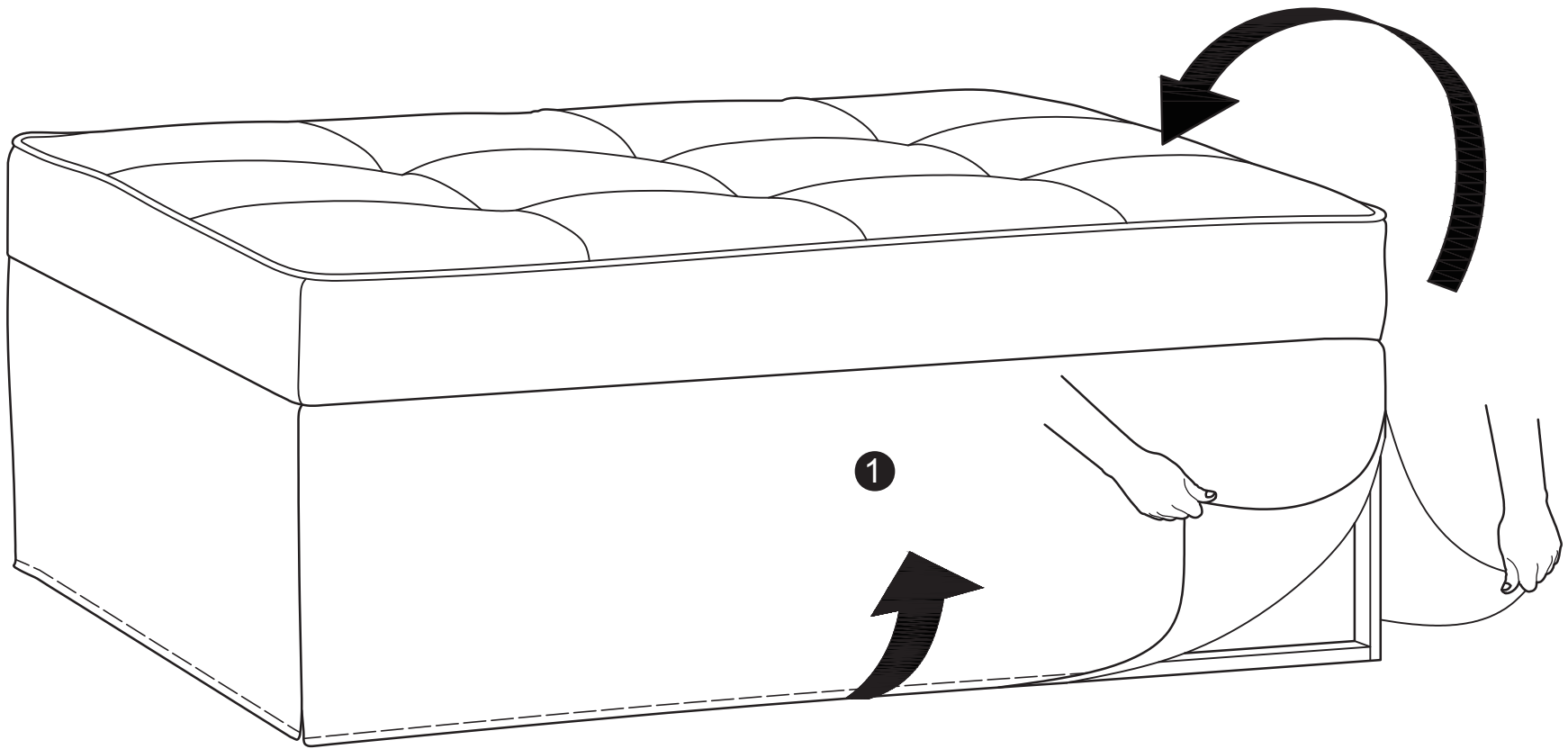


Ottoman Cushion
QTY:1

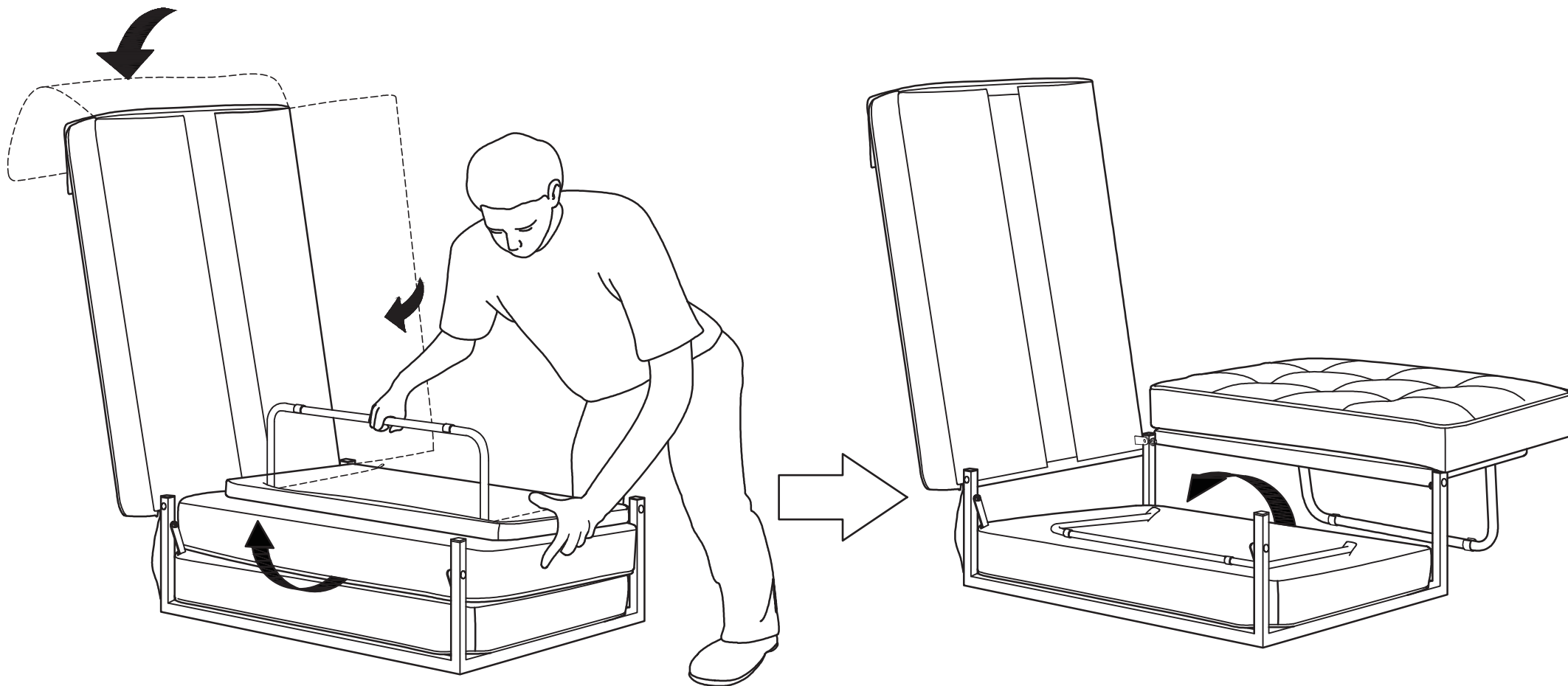


Pillow
QTY:1

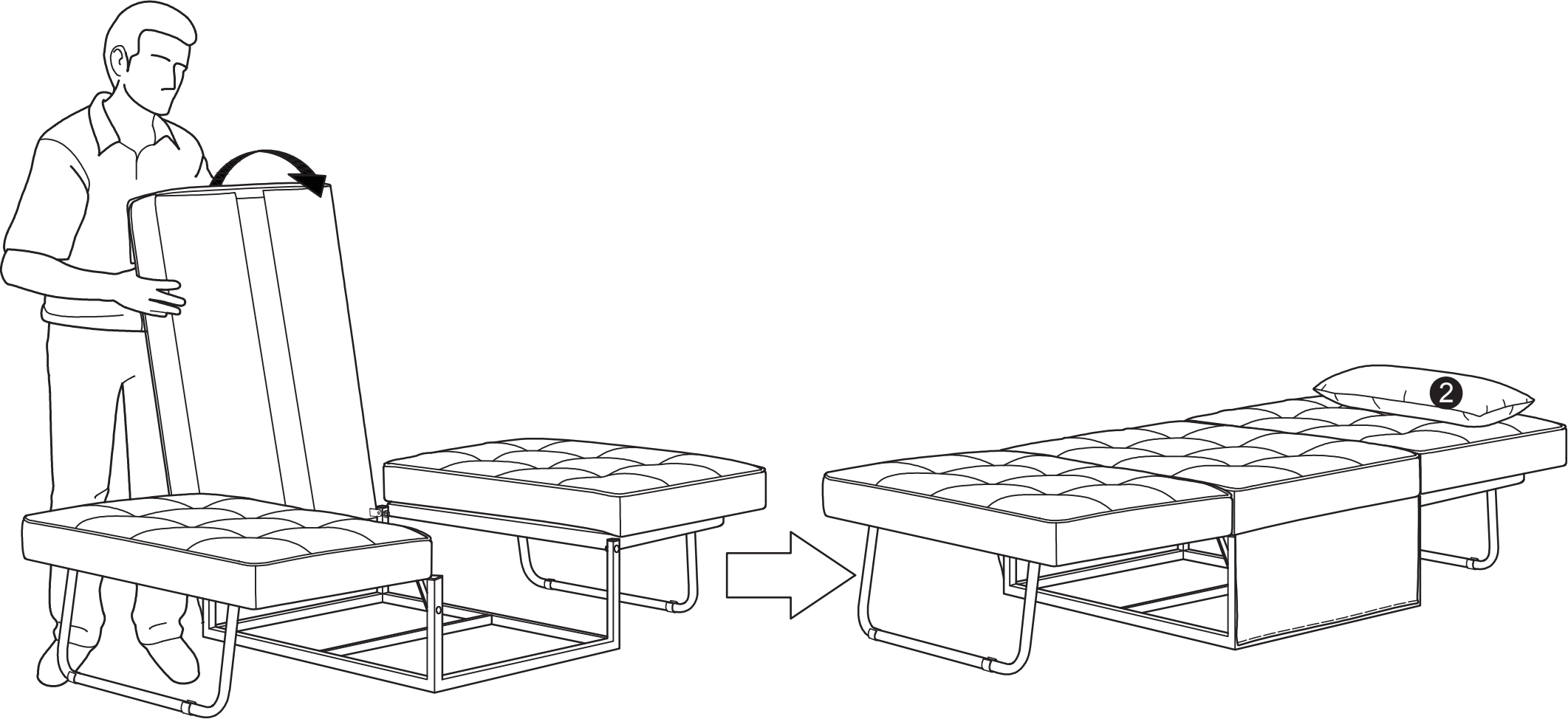
Step 1 :



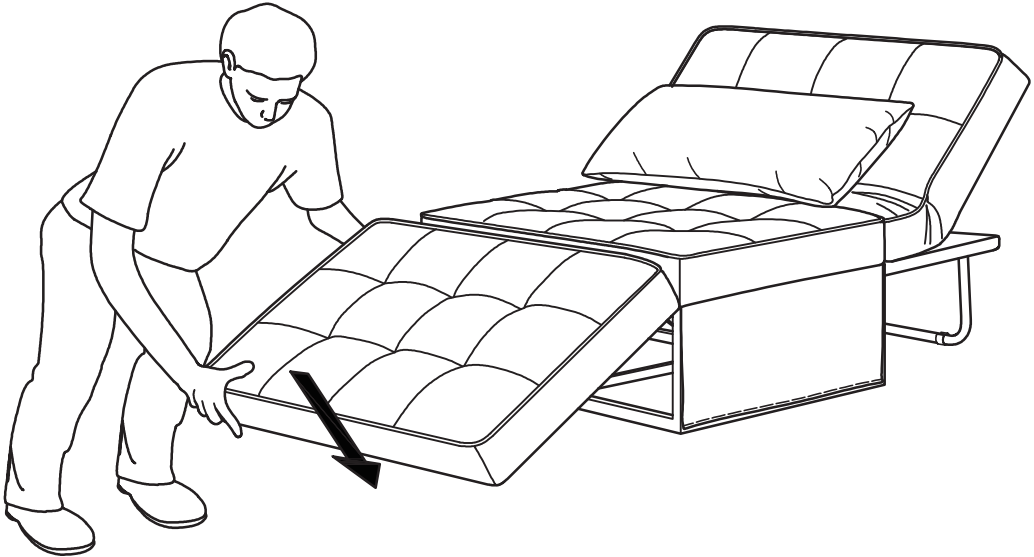
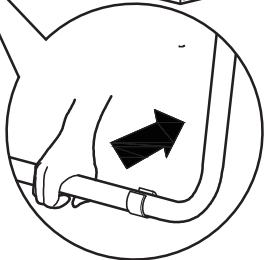
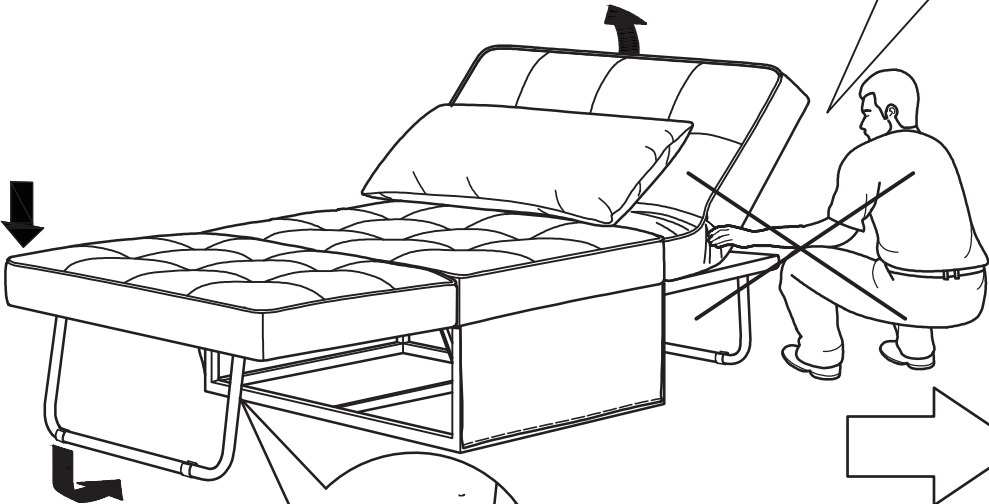
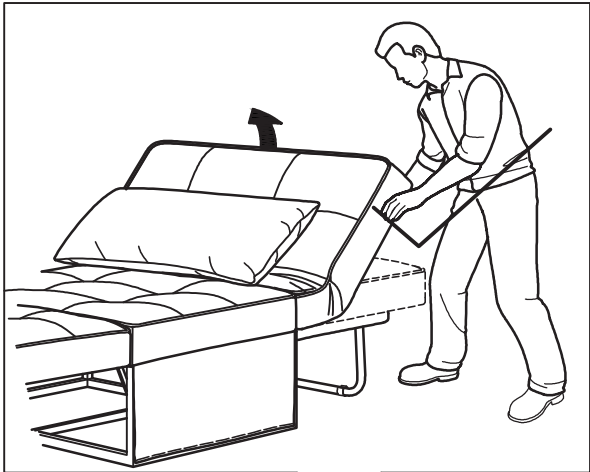
Step 2 :



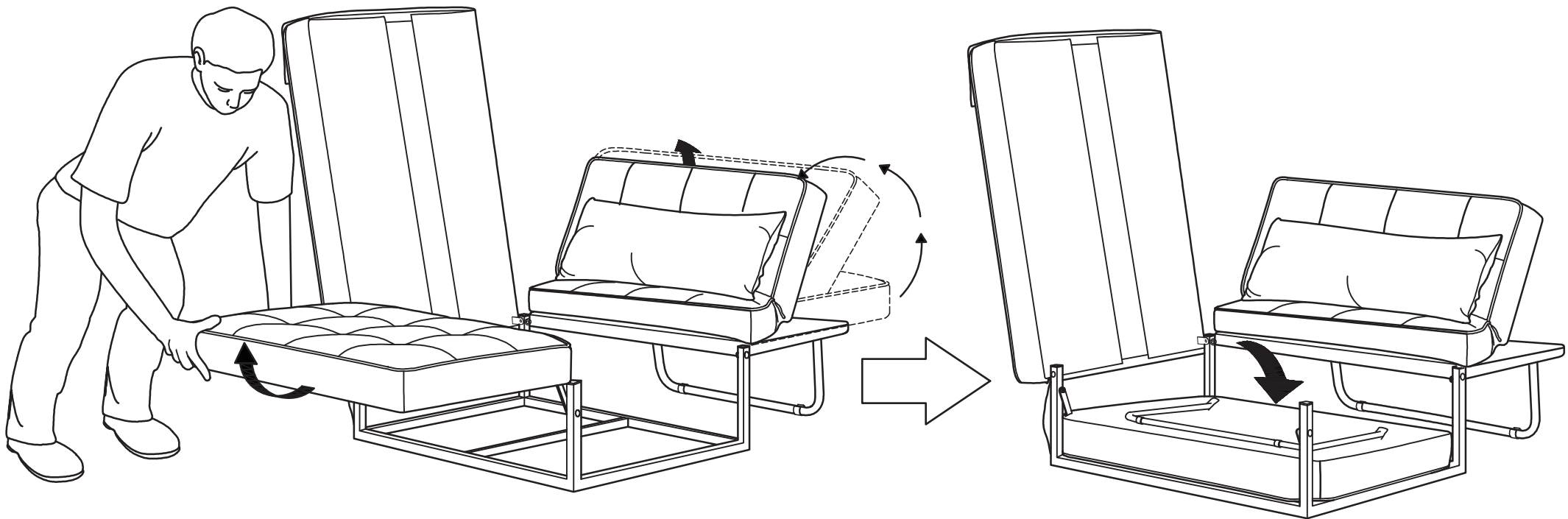
Step 3 :



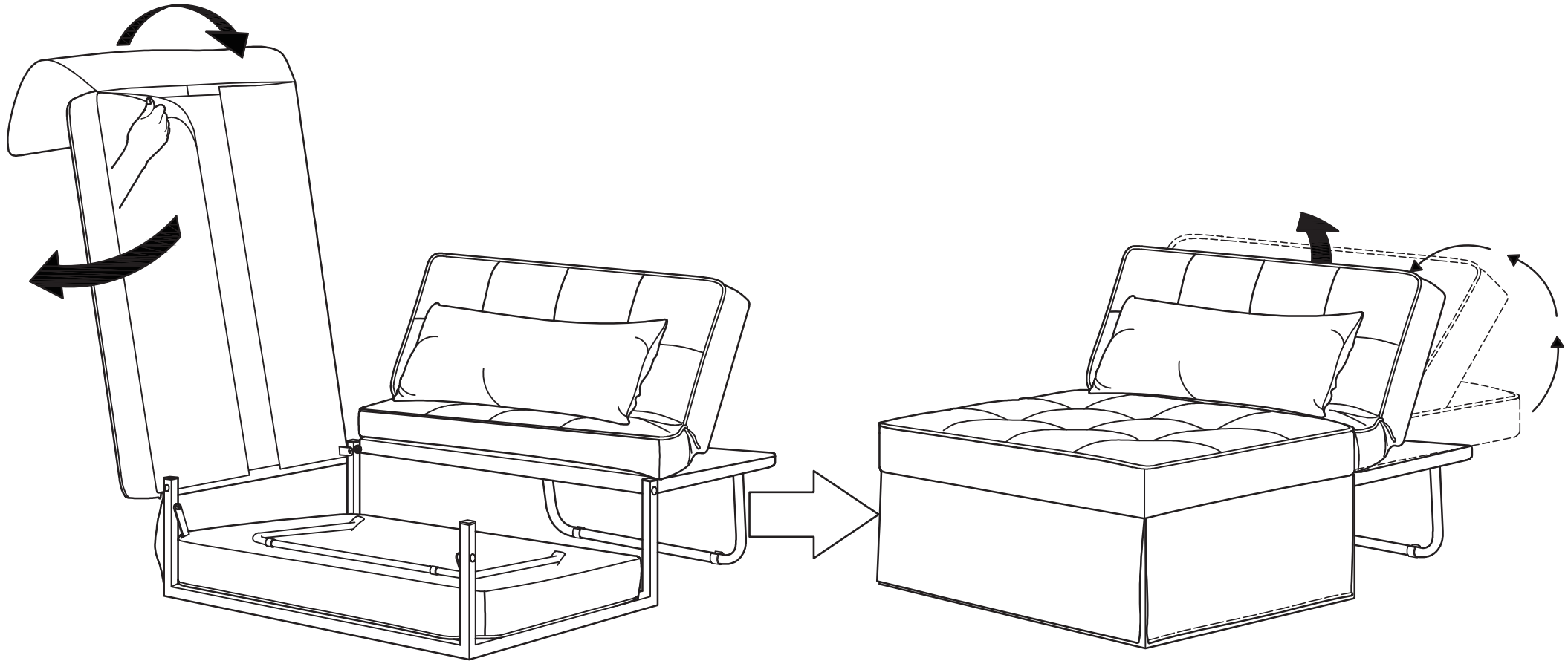
Step 4 :



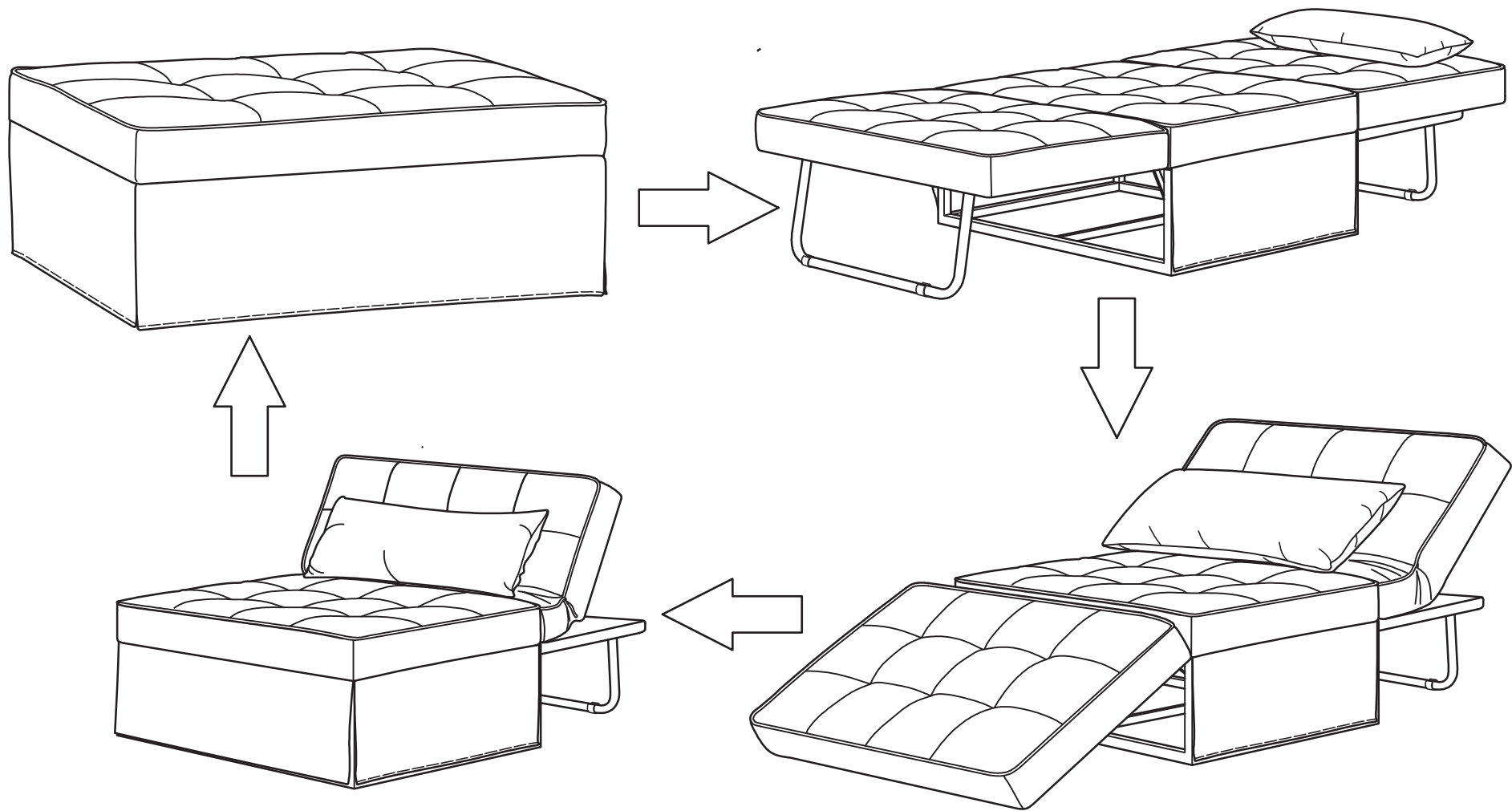
Step 5 :



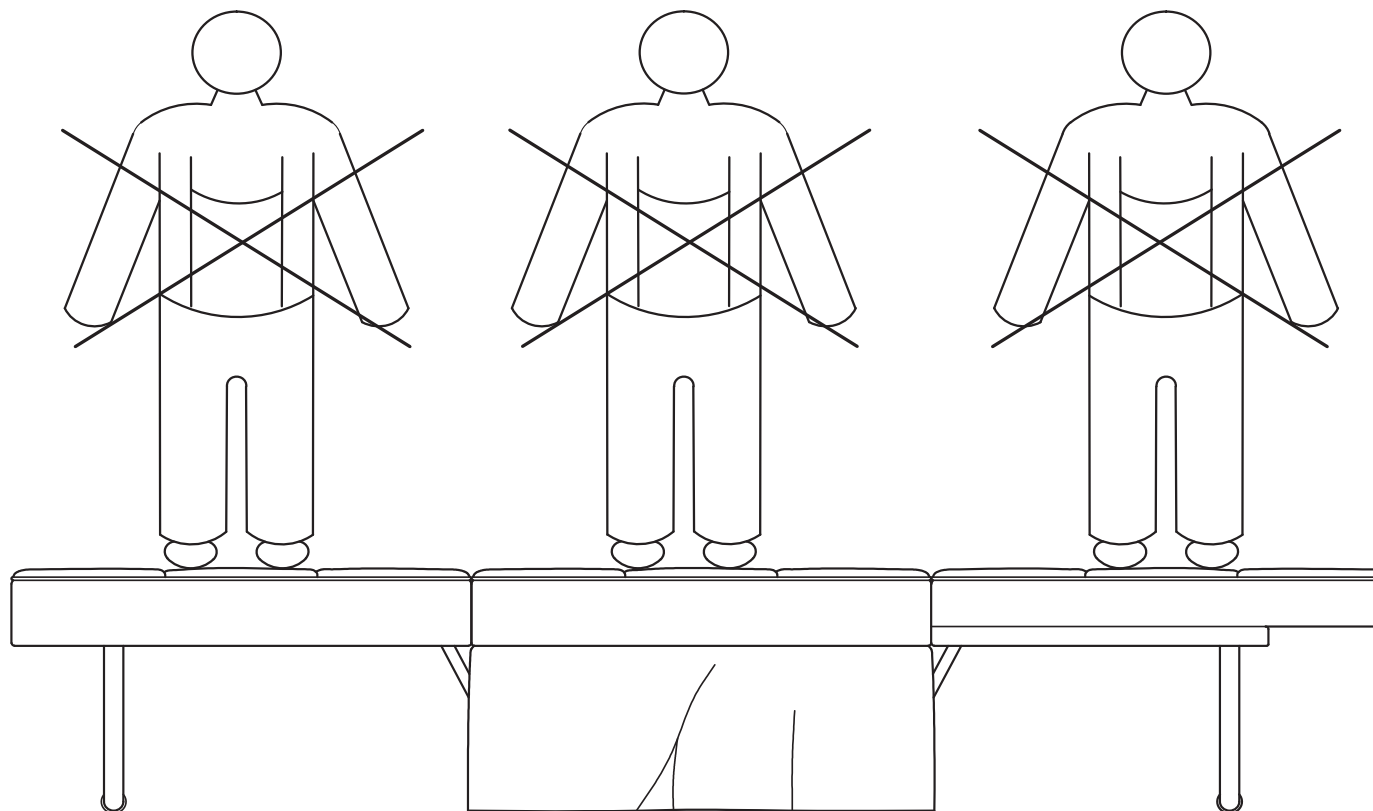
Step 6 :



Step 7 :



WARNING :



Need assistance?
Please call :
866-626-7826

For prompt, reliable service; please have your assembly manual ready.