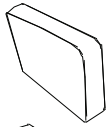

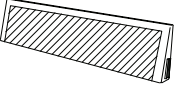
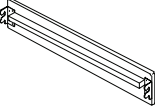
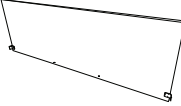
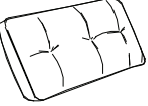
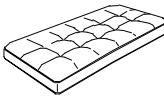
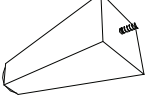
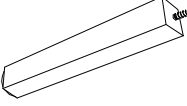

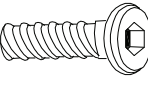
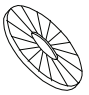
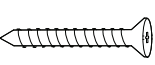


# TUFTED SQUARE ARM SOFA & LOVESEAT

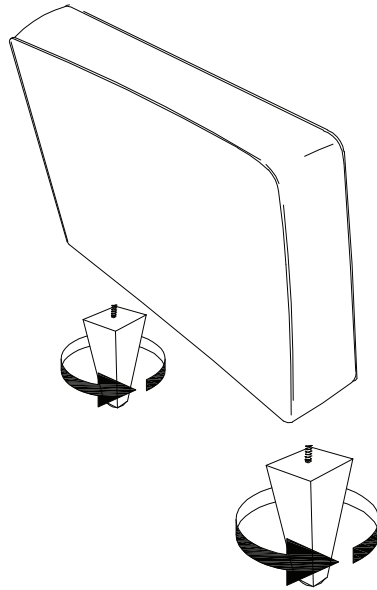
---

<b>A</b>		Left Arm	1 pc
<b>B</b>		Right Arm	1 pc
<b>C</b>		Back Panel	1 pc
<b>D</b>		Front Panel	1 pc
<b>E</b>		Seat Base	1 pc
<b>F</b>		Back Cushion	2 pcs
<b>G</b>		Seat Cushion	1 pc
<b>H</b>		Wooden Leg	4 pcs
<b>I</b>		Support Leg	1 pc for Loveseat 2 pcs for Sofa
<b>1</b>		Allen Key	1 pc
<b>2</b>		Bolt	4 pcs
<b>3</b>		Plastic Washer	2 pcs
<b>4</b>		Screw	2 pcs

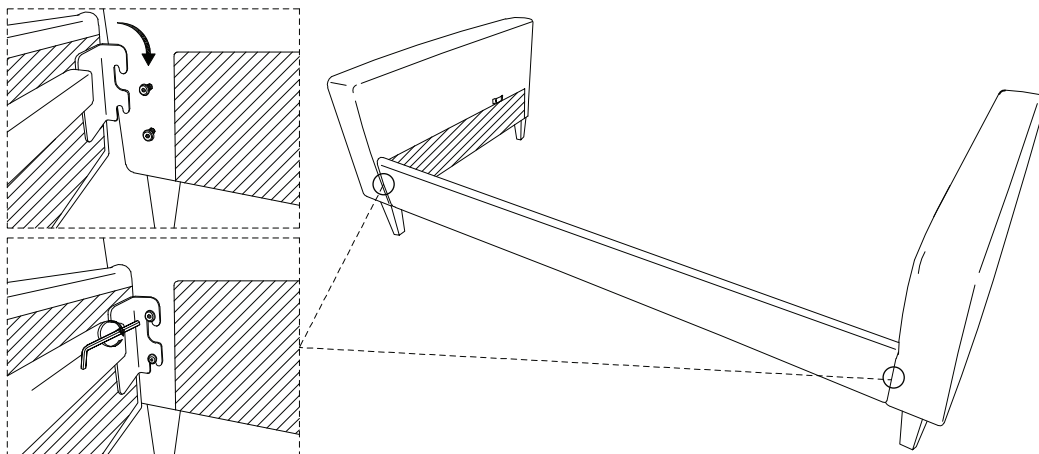
# TUFTED SQUARE ARM SOFA & LOVESEAT

---

1. Screw in each leg (H) into the left arm (A) and right arm (B) until secure.



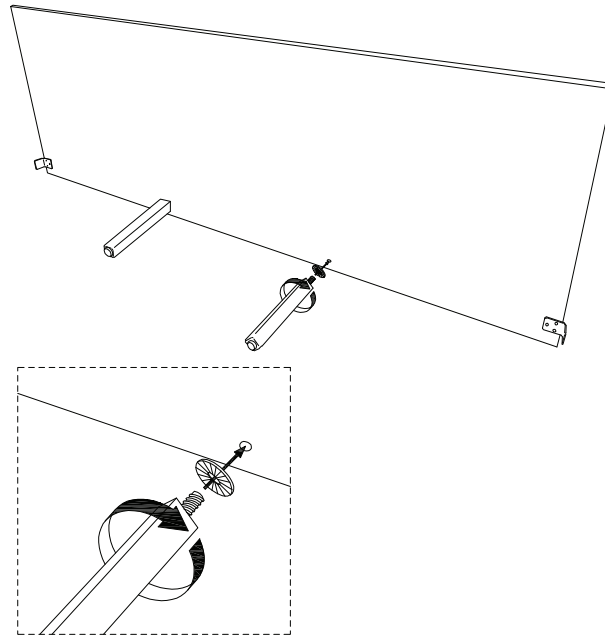
2. Insert bolts (2) into holes inside the arms (A,B). Hook the front panel (D) onto the bolts (2) and tighten by turning clockwise with Allen key (1).



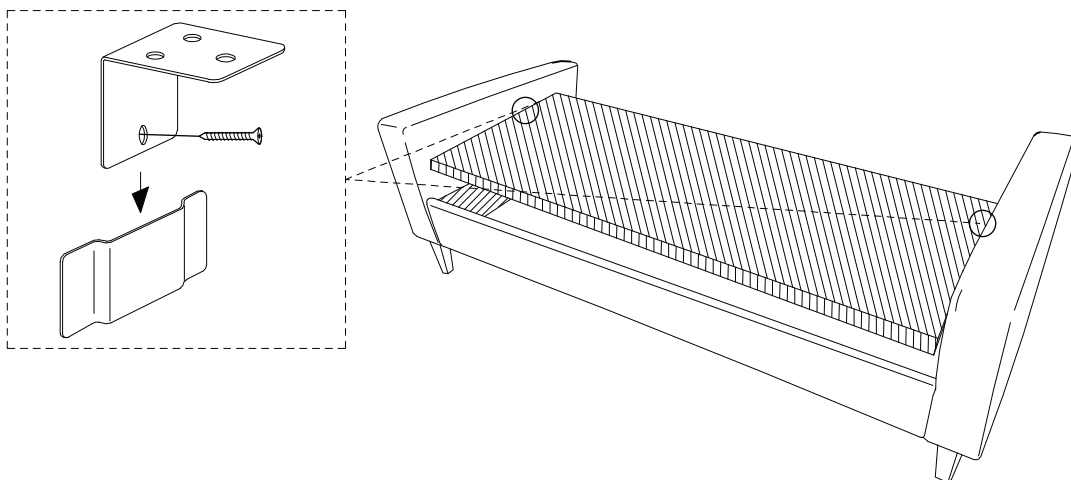
# TUFTED SQUARE ARM SOFA & LOVESEAT

---

3. Attach wooden support leg (1) and plastic washer (3) to the bottom of the seat base (E) by turning clockwise.



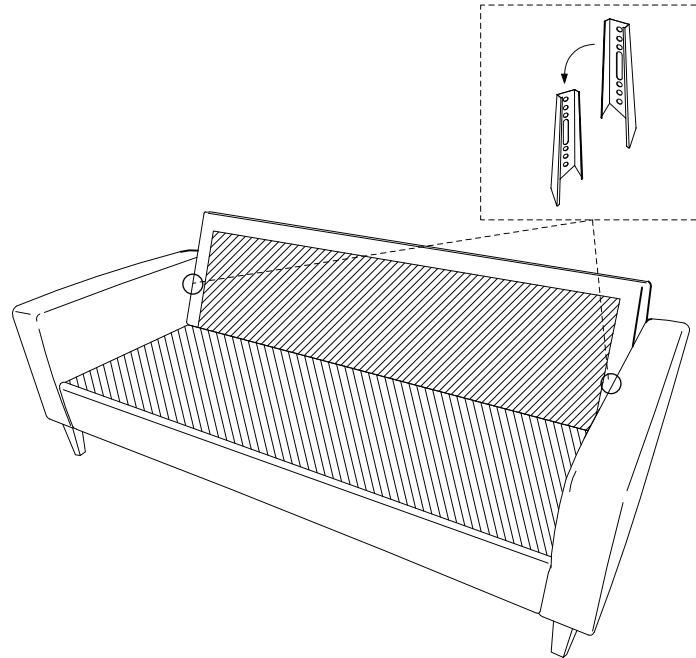
4. Using the L-brackets, place the seat base (E) into the sockets. Place screws (4) into L-bracket to secure seat base (E) to arms (A,B).



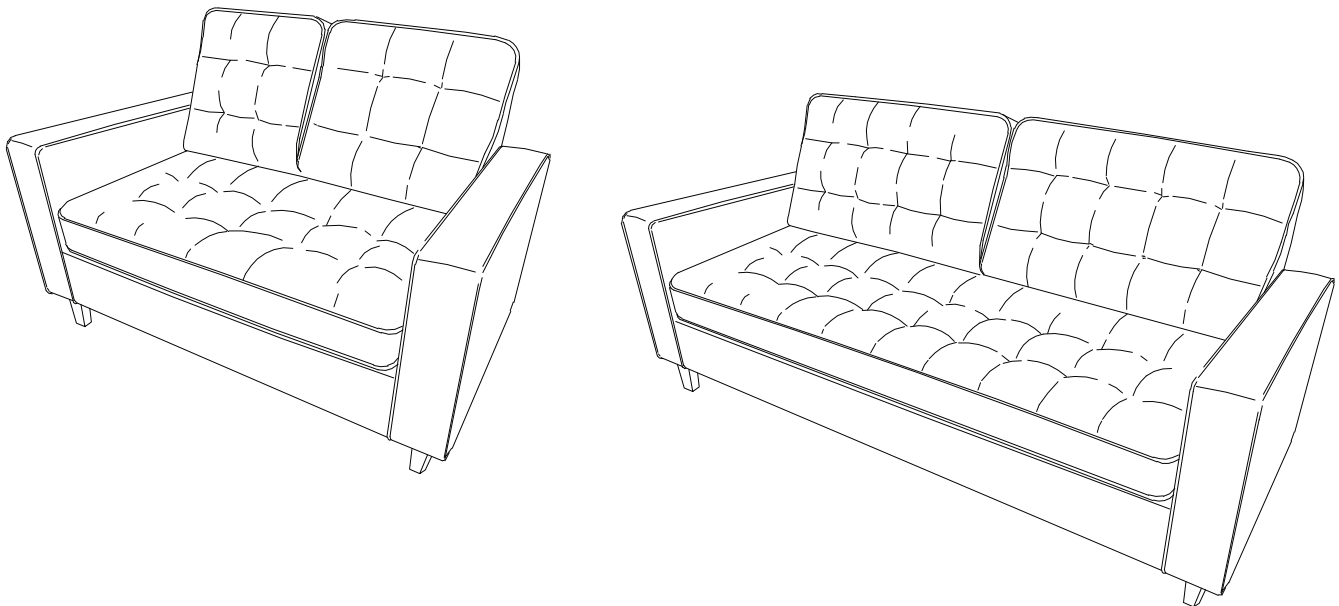
# TUFTED SQUARE ARM SOFA & LOVESEAT

---

5. Connect the back panel (C) to arms (A,B) by sliding into the connector. Pull down the loose fabric on the back panel (C) and attach to adhesive black strips on the back of the couch



6. Place seat cushion and pillows (G) and back cushions (F).



# TUFTED SQUARE ARM SOFA & LOVESEAT

---

## LIMITED 1-YEAR WARRANTY

### WHAT IS COVERED

This warranty covers any defects in materials or workmanship, with the exceptions stated below.

### HOW LONG COVERAGE LASTS

This warranty runs for one (1) year from the date of purchase.

### WHAT IS NOT COVERED

The warranty applies only to the original purchaser and does not cover: (a) wear and tear; (b) improper maintenance, misuse, or alteration; (c) repair by unauthorized representatives; (d) damage resulting from transit or handling; or (e) transportation costs.

### WHAT WE WILL DO

At our sole discretion we will repair, replace, or refund any product that proves to be defective in materials or workmanship.

### HOW TO GET SERVICE

Email "warranty@mavenliving.com" to submit your warranty claim. Please keep your receipt so that we may process your warranty request.

### HOW STATE LAW APPLIES

This warranty gives you specific legal rights, and you may also have other rights which vary from state to state.

The foregoing warranty shall be exclusive and in lieu of any other warranty, express or implied, including warranties of merchantability and fitness for a particular purpose and all other warranties otherwise arising by operation of law, course of dealing, custom, trade, or otherwise. Neither the seller nor the manufacturer shall be liable for any injury, loss or damage, direct or consequential arising out of the use or inability to use this product.

**WARRANTY FULFILLED BY MAVEN**