

FAUX MARBLE DESK

ASSEMBLY INSTRUCTIONS

ITEM# AA-10216

SKU# 810529505

Need help? We are here for you!
www.biglots.com/help/contact-us

GENERAL BEST PRACTICES FOR ASSEMBLY:

Read all instructions before starting
Clear a flat covered space to assemble
We recommend two people for assembly
Note that hardware required is provided for every step
Pay attention to orientation
Letter of the part corresponds to a sticker on the product
Number of the hardware corresponds to its number in the package
Helpful hints provided along the way

MAINTENANCE:

Regularly check hardware and tighten if necessary

CARE AND CLEANING:

Clean periodically by wiping the product with a soft clean cloth

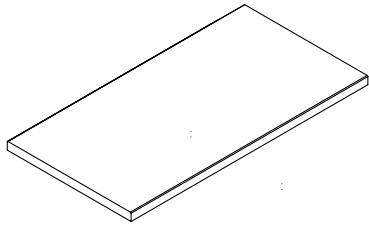
DO NOT use abrasive chemicals for cleaning

WARNINGS:

Do not tighten the screws until all of them are in place

DO NOT use power tools

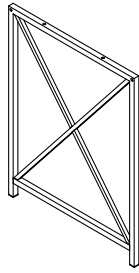
PARTS LIST



A

x1

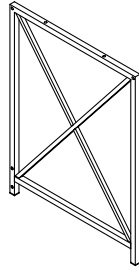
Top Panel



B

x1

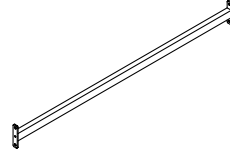
Left Frame



C

x1

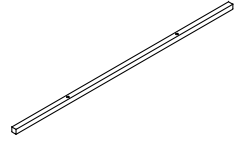
Right Frame



D

x1

Cross Bar



E

x2

Support Tube

HARDWARE LIST



1

x4

Adjuster



2

x12

Screw



3

x4

Screw



4

x1

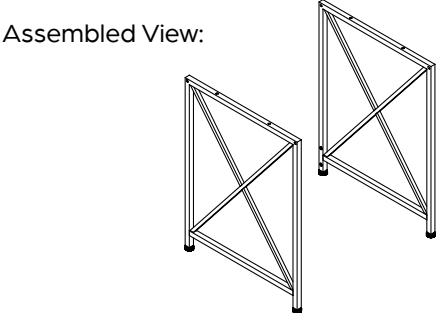
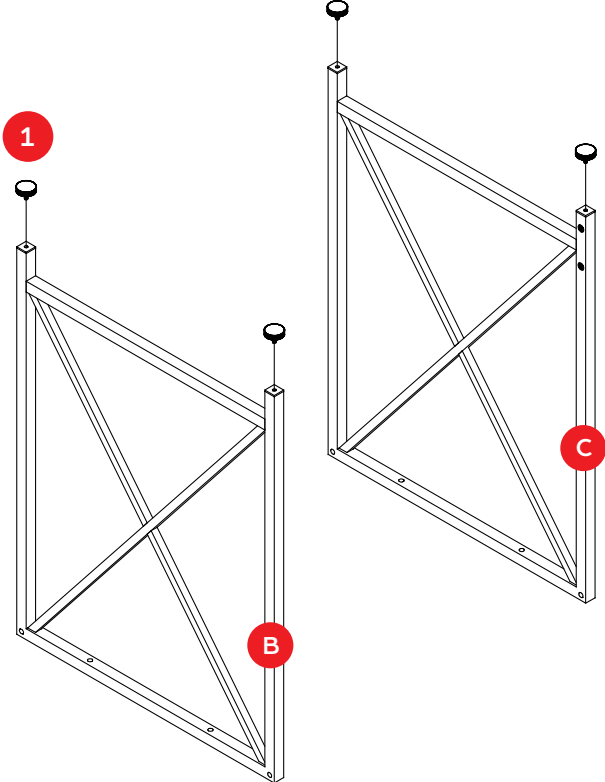
Allen Wrench

HELPFUL HINTS

- Separate parts before starting

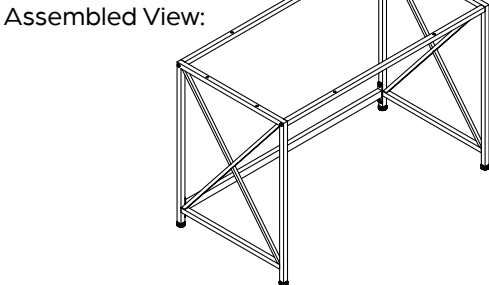
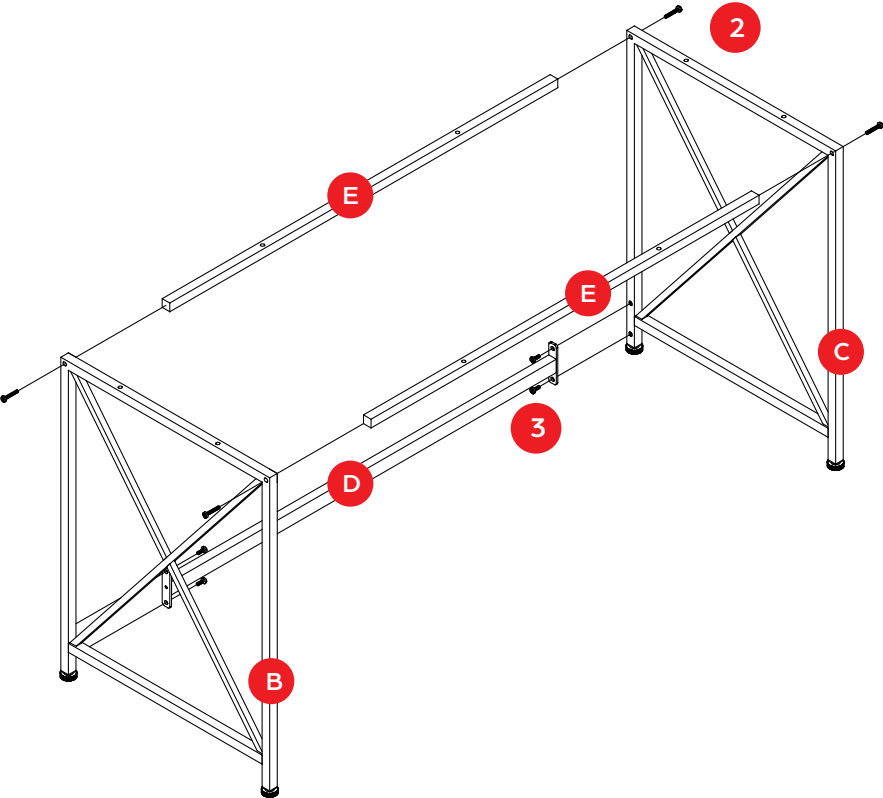
STEP 1

Insert Adjuster (1) into Left Frame (B) and Right Frame (C).



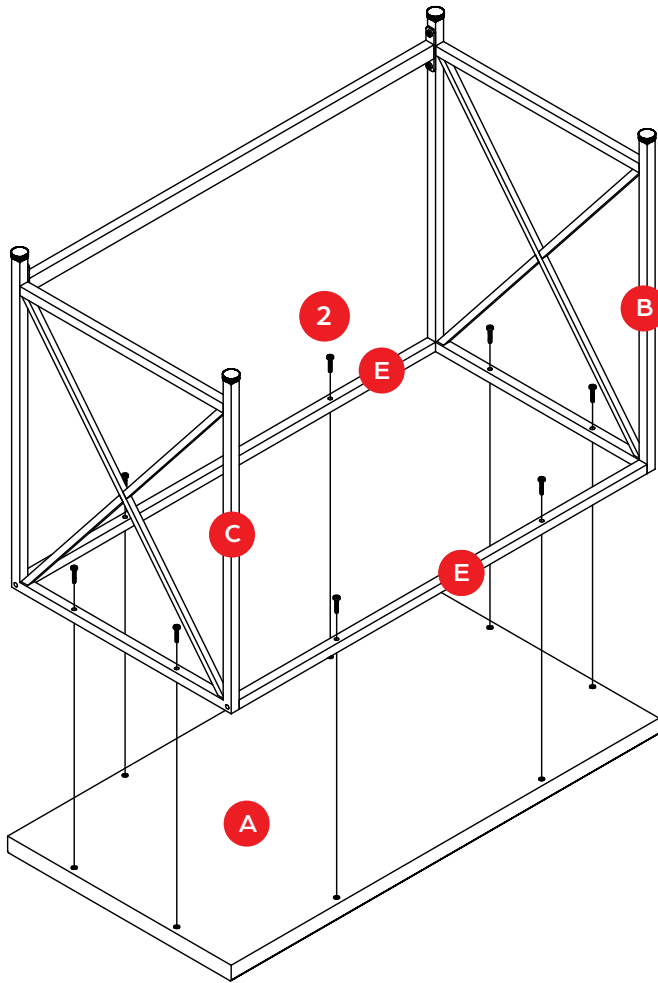
STEP 2

Attach Support Tube (E) to Left Frame (B) and Right Frame (C) with Screw (2).
Attach Cross Bar (D) to Left Frame (B) and Right Frame (C) with Screw (3).



STEP 3

Attach Top Panel (A) to Support Tube (E), Left Frame (B) and Right Frame (C) with Screw (2). Fully tighten Screw (2). Assembly is now complete.



Assembled View:

