

## **ONE DRAWER DESK**

### **ASSEMBLY INSTRUCTIONS**

**ITEM#:BQ092-1702AC/BQ092-1702WH/BQ092-1702BK**

**SKU#:810529561/810529568/810529569**

**Need help? We are here for you! 1 (866) 244 - 5687 • Toll Free  
Mon.-Fri. 8am - 10pm and Sat./Sun. 8am - 8pm**

# GENERAL BEST PRACTICES FOR ASSEMBLY:

Read all instructions before starting

Clear a flat covered space to begin

Two adults are recommended for assembly

Note that hardware required is provided for every step

Pay attention to orientation

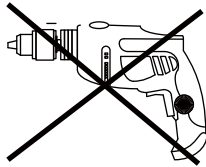
Letter of the part corresponds to a sticker on the product

Number of the hardware corresponds to its number in the package

Helpful hints provided along the way

## WARNINGS:

SUGGEST 2 ADULTS TO ASSEMBLE THIS PRODUCT IN AN OPEN AREA.



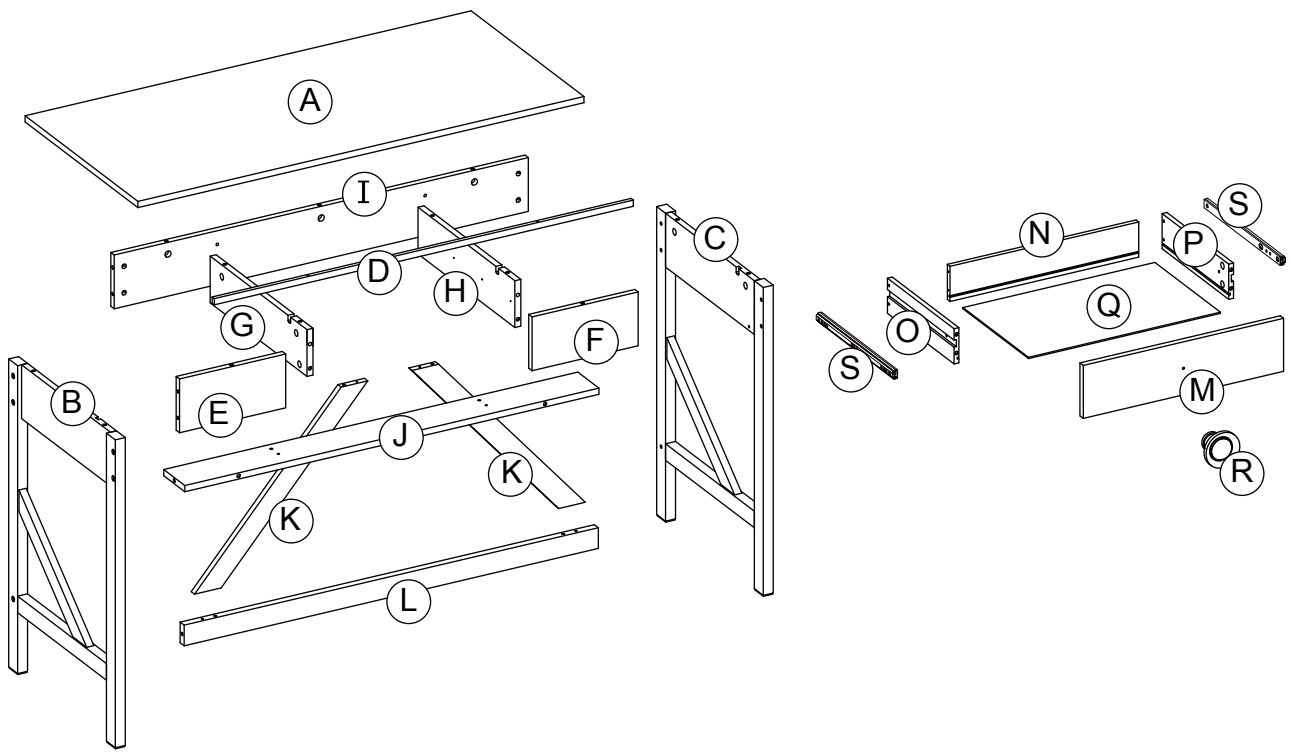
DO NOT USE POWER TOOLS TO ASSEMBLE

## MAINTENANCE:

Regularly check hardware and tighten if necessary.

Use dry cloth to wipe surfaces.

Keeping Away from water and fire.



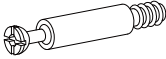



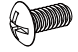
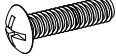
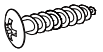
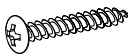
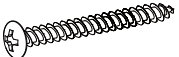

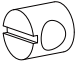



## PARTS LIST

NO	QTY	DESCRIPTION
A	1pc	Top Panel
B	1pc	Left Side Panel
C	1pc	Right Side Panel
D	1pc	Under Top Bar
E	1pc	Left Front Panel
F	1pc	Right Front Panel
G	1pc	Left Divider
H	1pc	Right Divider
I	1pc	Back Panel
J	1pc	Bottom Support Panel
K	2pcs	Back Slat
L	1pc	Back Bottom Slat
M	1pc	Drawer Front Panel
N	1pc	Drawer Back Panel
O	1pc	Drawer Left Side Panel
P	1pc	Drawer Right Side Panel
Q	1pc	Drawer Bottom Panel

## PARTS LIST

NO	QTY	DESCRIPTION
R	1pc	Drawer Handle
S	2pcs	Glider

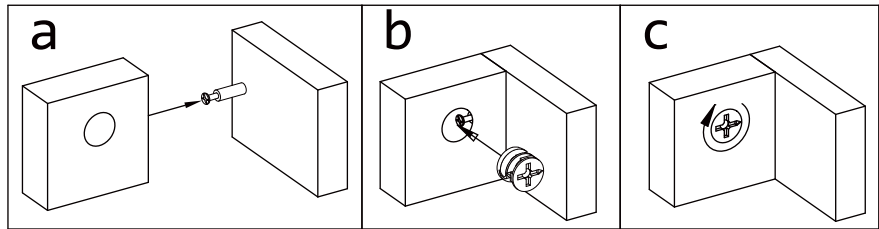
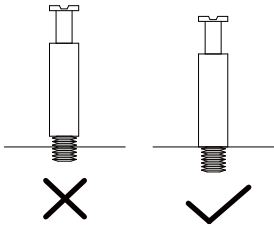
## HARDWARE LIST

NO	PARTS	QTY	DESCRIPTION
1		23pcs	Cam Bolt
2		23pcs	Cam Lock
3		12pcs	Wooden Dowel
4		6pcs	Screw(3×12mm)
5		2pcs	Bolt
6		1pc	Bolt
7		2pcs	Screw(4×25mm)
8		10pcs	Screw(4×35mm)
9		2pcs	Screw(4×55mm)
10		10pcs	Bolt(6×55mm)
11		10pcs	Nut
12		1pc	Allen Wrench
13		4pcs	Rubber Feet Sticker
14		10pcs	PVC Sticker

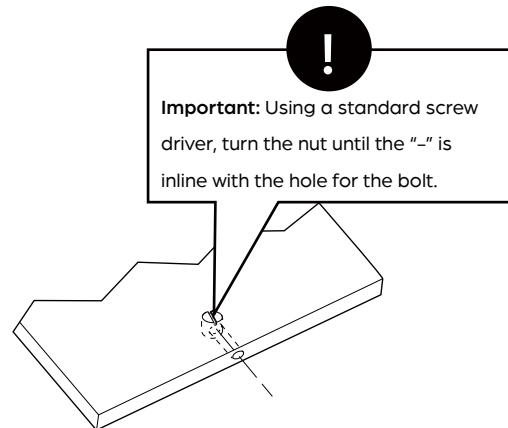
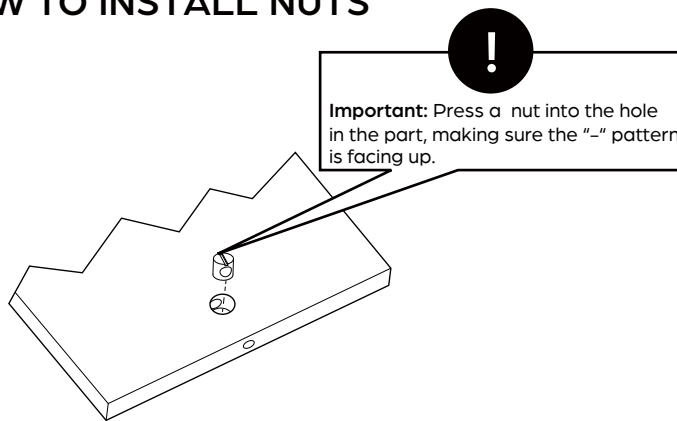
# HELPFUL HINTS

- A Phillips Screwdriver and a flat head screwdriver will be needed for assembly and are not provided.
- Saperate all parts before starting

## HOW TO INSTALL THE CAM BOLT AND CAM LOCK

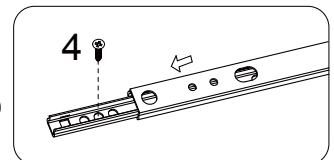
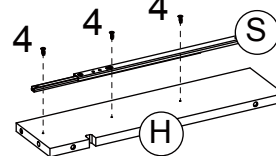
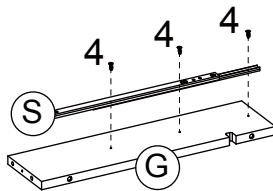
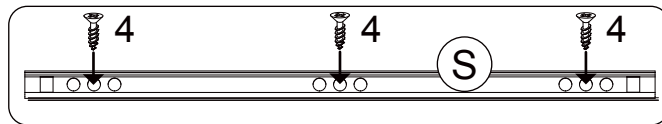
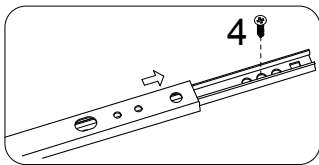


## HOW TO INSTALL NUTS



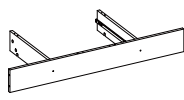
**1**  
④ x6

Spreading the Glider (S), attach the Glider (S) onto the Left Divider (G) and Right Divider (H) with Screws (4). Fully tighten all the Screws. Please note the orientation of the glider in the diagram.

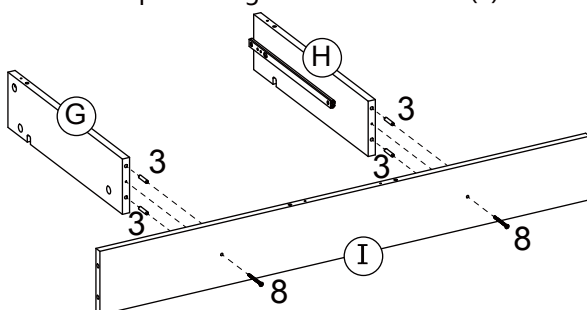


**2**  
③ x4

⑧ x2

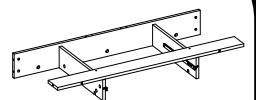


1. Insert Wooden Dowel (3) into the end of Left Divider (G) and Right Divider (H) .
2. Align the Wooden Dowels (3) in the end of Left Divider (G) and Right Divider (H) with the holes in the Back Panel (I) and slide into place.
3. Secure the panels together with Screws (8).

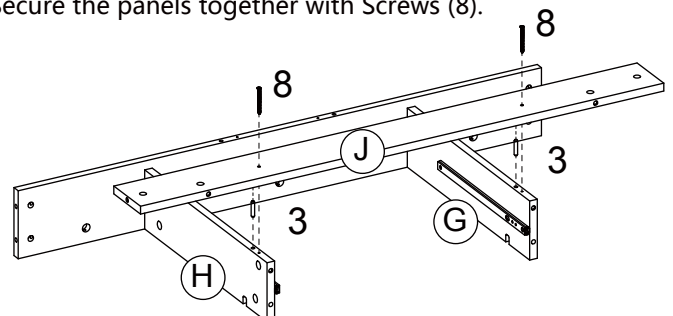



**3**  
③ x2

⑧ x2

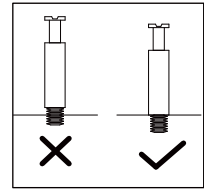
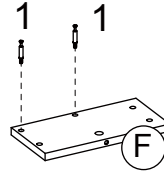
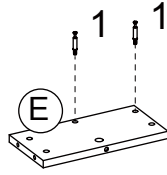


1. Insert Wooden Dowel (3) into the end of Left Divider (G) and Right Divider (H) .
2. Align the Wooden Dowels (3) in the end of Left Divider (G) and Right Divider (H) with the holes in the Bottom Support Panel (J) and slide into place.
3. Secure the panels together with Screws (8).



**4**  ① x 4

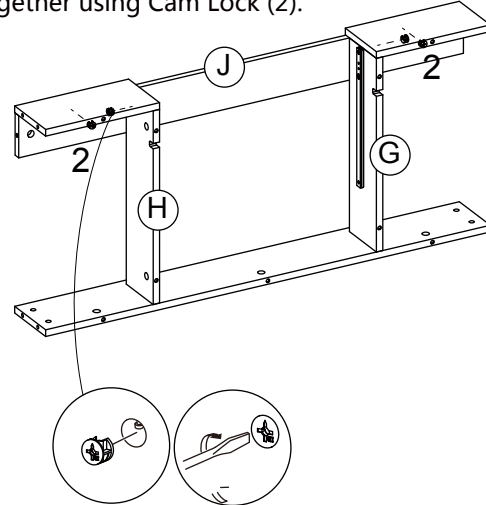
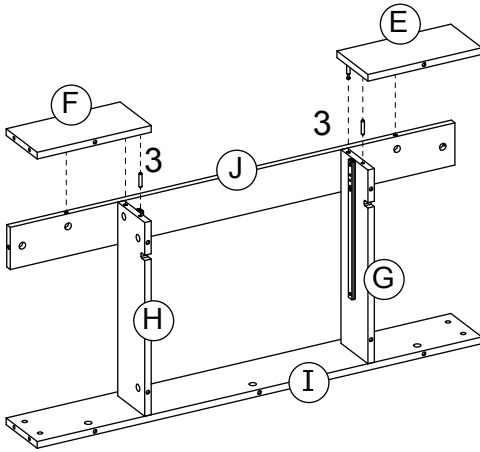
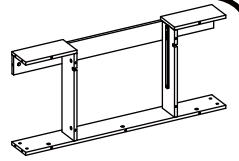
Insert Cam Bolt (1) into Left Front Panel (E) and Right Front Panel (F). Fully tighten.

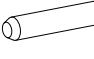



**5**  ② x 4


 ③ x 2

1. Insert Wooden Dowel (3) into the end of Left Divider (G) and Right Divider (H).
2. Align the Cam Bolts (1) in Left Front Panel (E) and Right Front Panel (F) with the holes in the edge of Left Divider (G) and Right Divider (H) and slide into place.
3. Secure the panels together using Cam Lock (2).

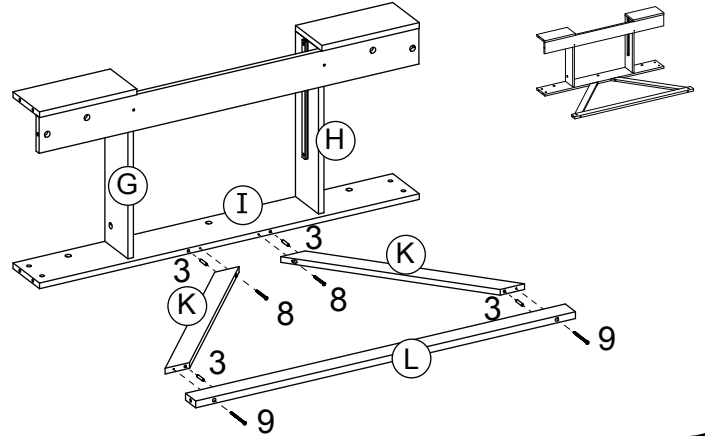


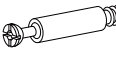
**6**  ③ x 4

 ⑧ x 2

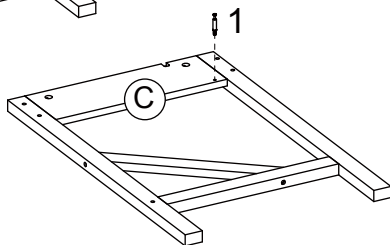
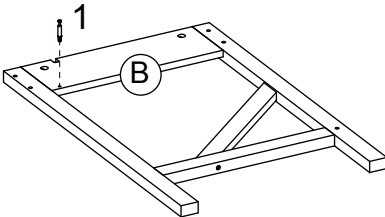
 ⑨ x 2


1. Insert Wooden Dowel (3) into the end of Back Slat (K).
2. Align the Wooden Dowels (3) in the end of Back Slat (K) with the holes in the Back Panel (I) and slide into place.
3. Secure the panels together with Screws (8).
4. Insert Wooden Dowel (3) into the other end of Back Slat (K).
5. Align the Wooden Dowels (3) in the end of Back Slat (K) with the holes in the Back Bottom Slat (L) and slide into place.
6. Secure the panels together with Screws (9).



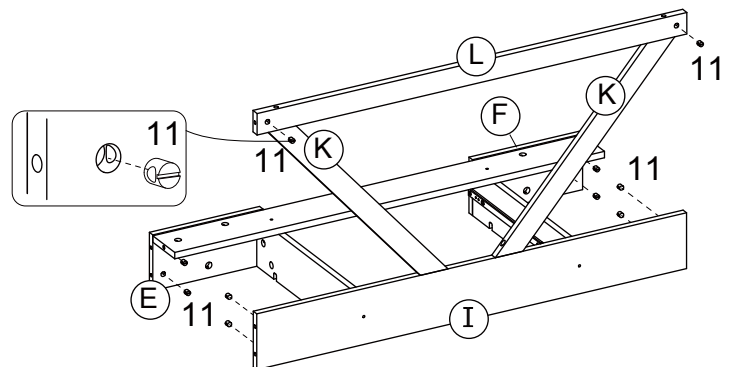
**7**  ① x 2

Insert Cam Bolt (1) into Left Side Panel (B) and Right Side Panel (C). Fully tighten.

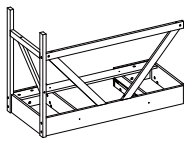
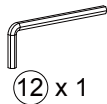
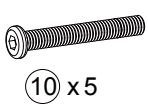


**8**  ⑪ x 10

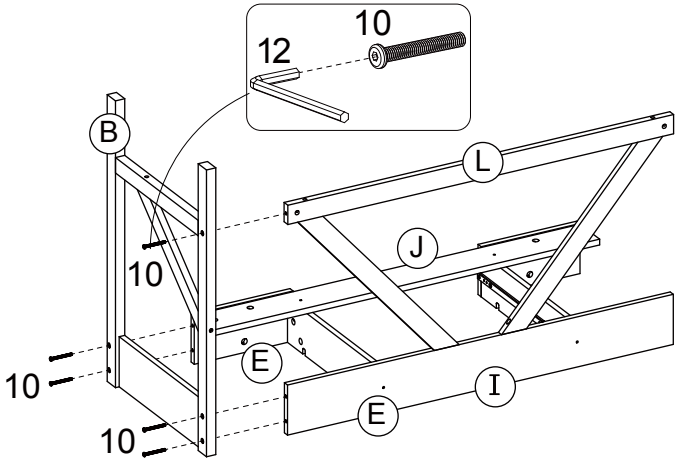
Insert Nut (11) into the holes of Back Panel (I), Back Bottom Slat (L), Left Front Panel (E) and Right Front Panel (F). TIP: The line on top of Nut (11) must be in line with the bolt.



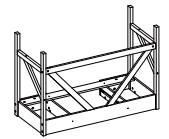
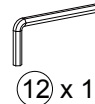
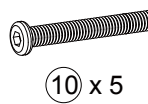
# 9



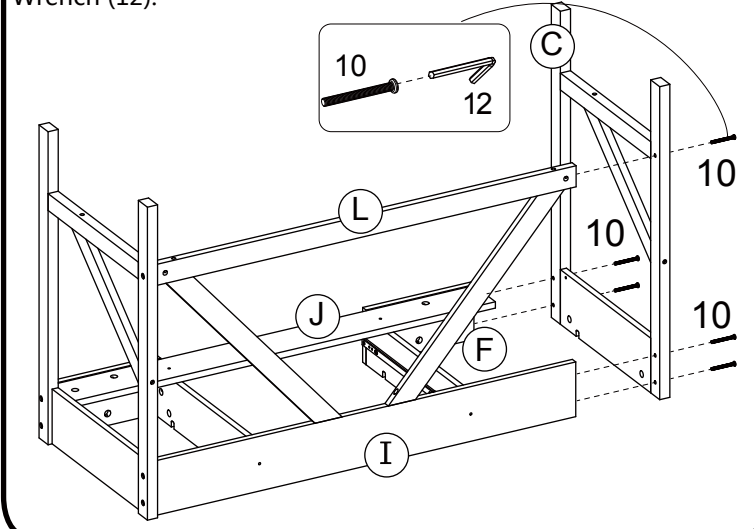
Secure the Left Side Panel (B) to Back Panel (I), Back Bottom Slat (L), and Left Front Panel (E) with Allen Bolt (10) using Allen Wrench (12).



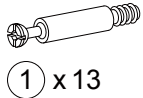
# 10



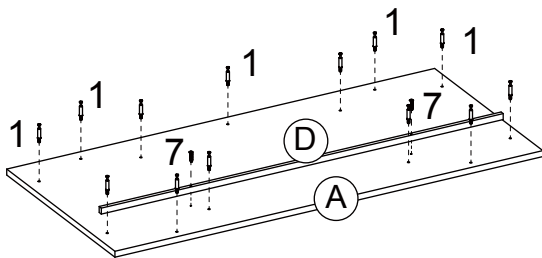
Secure the Right Side Panel (C) to Back Panel (I), Back Bottom Slat (L), and Right Front Panel (F) with Allen Bolt (10) using Allen Wrench (12).



# 11

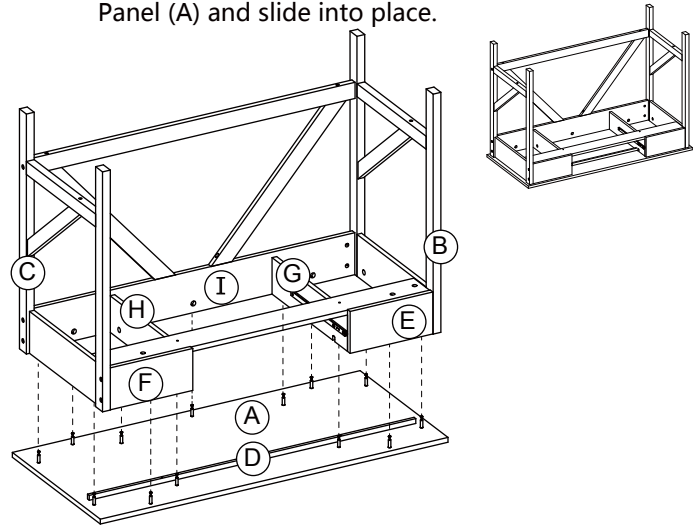


1. Secure the Under Top Bar to the Top Panel (A) with Screws (7). Fully tighten.
2. Insert Cam Bolt (1) into Top Panel (A). Fully tighten.

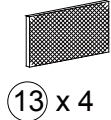


# 12

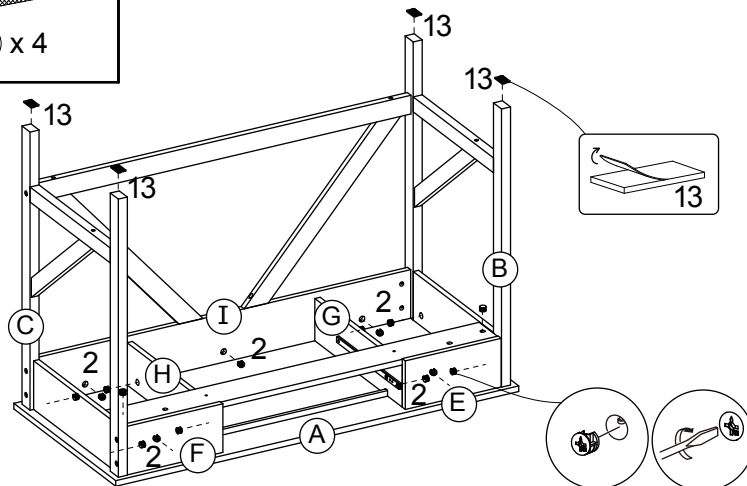
With assistance, lift the assembled base from Step 10 and align the holes in the edge of Left Side Panel (B), Right Side Panel (C), Back Panel (I), Left Front Panel (E) and Right Front Panel (F) with the Cam Bolts in Top Panel (A) and slide into place.



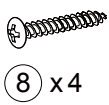
# 13



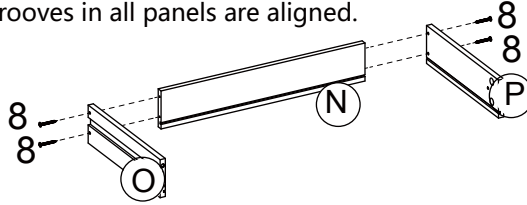
1. Secure the panels together using Cam Lock (2).
2. Apply the Rubber Feet Sticker (13) to the bottom of each leg.



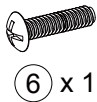
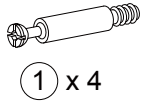
# 14



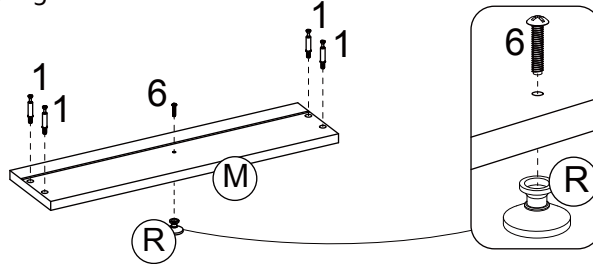
Align the Drawer Left Side Panel (O) with the Drawer Back Panel (N) and secure in place with Screw (8). Fully tighten screws. Repeat process for Drawer Right Side Panel (P).  
 Note: Make sure the grooves in all panels are aligned.



# 15



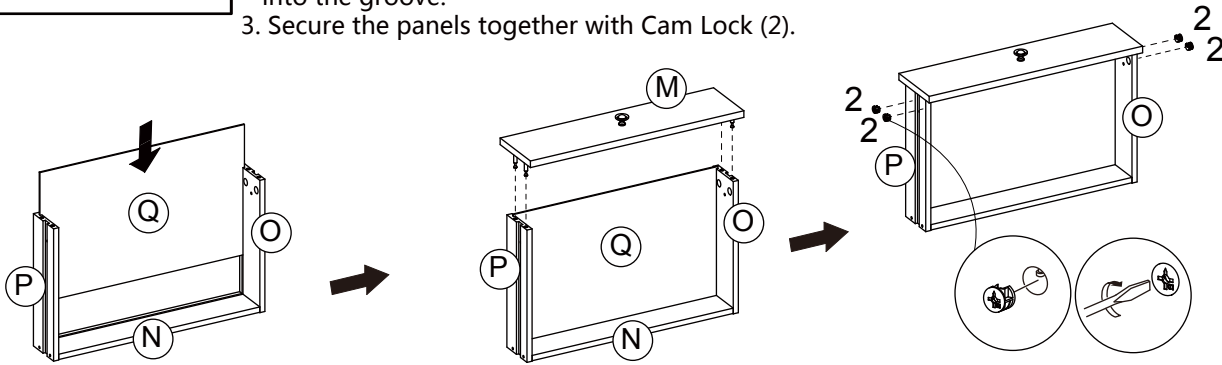
1. Insert Cam Bolt (1) into Drawer Front Panel (M) and fully tighten.  
 2. Attach the Drawer Handle (R) to the Drawer Front Panel (M) with Bolt (6). Fully Tighten.



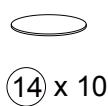
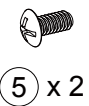
# 16



1. Slide the Drawer Bottom Panel (Q) into the grooves of Drawer Left Side Panel (O) and Drawer Right Side Panel (P) until it is fully inserted into the groove of Drawer Back Panel (N).  
 2. Align the Cam Bolts in Drawer Front Panel (M) with the holes in Drawer Left Side Panel (O) and Drawer Right Side Panel (P) and slide into place until Drawer Bottom Panel (Q) is fully inserted into the groove.  
 3. Secure the panels together with Cam Lock (2).



# 17



1. Slide the completed Drawer in Step 17 into desk.

**Note:** the end of active side of the Glider (S) should be tight against the Front of the Drawer Left Side Panel (O) and Drawer Right Side Panel (P).

2. Attach the Drawer Left Side Panel (O) and Glider (S), Drawer Right Side Panel (P) and Glider (S) with Bolt (5). Fully Tighten.

3. Cover the visible bolts in the side panels with PVC Sticker (14).

Assembly is now complete

