
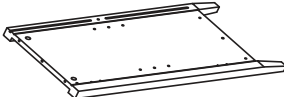
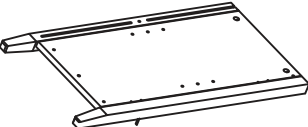

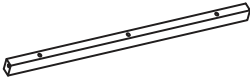

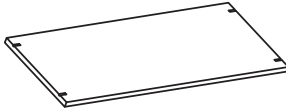
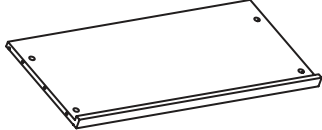
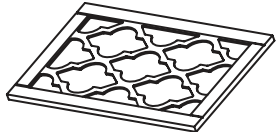


ASSEMBLY INSTRUCTION FOR ACME FURNITURE














MODEL#97382

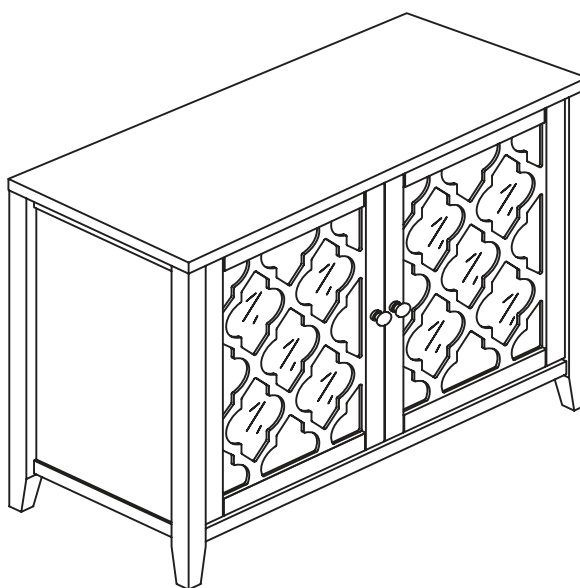
Thank you for purchasing the quality product. Be sure to check all packing material carefully for small parts which may have come loose inside the carton during shipment. Separate, identify and count all parts and metal hardware. Compare with all parts list to be sure all parts are present. If any part(s) are missing or damaged, please contact your local furniture dealer. For efficient and speedy service, please indicate the model number and code letter of part(s) needed.

Do not fully tighten screws until fully assembled

COMPONENT PARTS		
DESCRIPTION	PART NAME	Q'TY(PCS)
(A)	top panel 	1
(B)	Left panel 	1
(C)	Right panel 	1
(D)	Back panel 	2
(E)	Brace 	1
(F)	Brace 	1
(G)	Shelf panel 	1
(H)	Bottom panel 	1
(I)	Door panel 	2

HARDWARE REQUIRED

①		Wooden dowel	Ø8*30mm	4 pcs
②		Cam bolt		12 pcs
③		Cam lock		12 pcs
④		Screw	Ø4*30mm	2 pcs
⑤		Bolt	Ø5/32" *19mm	2 pcs
⑥		Door Knob		2 pcs
⑦		Screw	Ø3*15mm	4 pcs
⑧		Door hinge		4 pcs
⑨		Plastic patch		4 pcs
⑩		Metal dowel	Ø6*25mm	4 pcs
⑪		Screw	Ø 3.5*15mm	16 pcs
⑫		Plastic cap		2 pcs
⑬		Safety strap kit		1 set

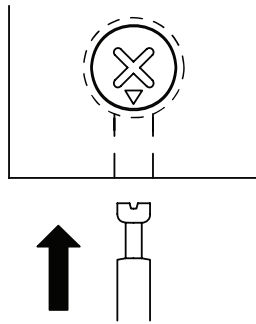


Attention:

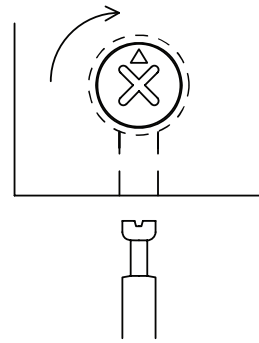
*** Some number parts listed on the instruction sheet may not be in parts bag as they may already be assembled. Carefully check parts and packing materials prior to ordering replacements.

CAM LOCK SYSTEM

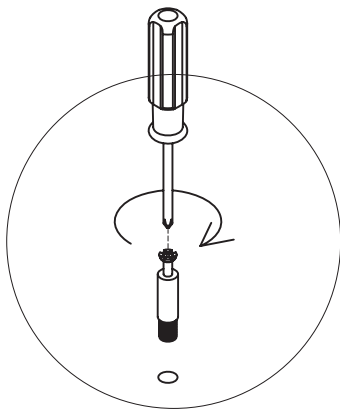
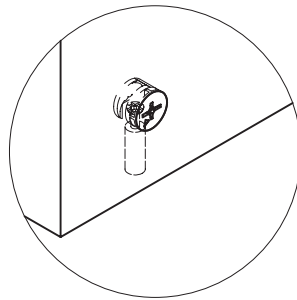
(1)



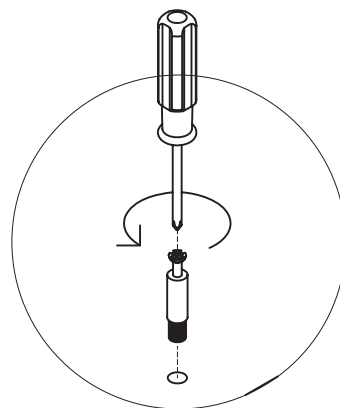
(2)



IMPORTANT NOTE--CAM LOCK ADJUSTMENT



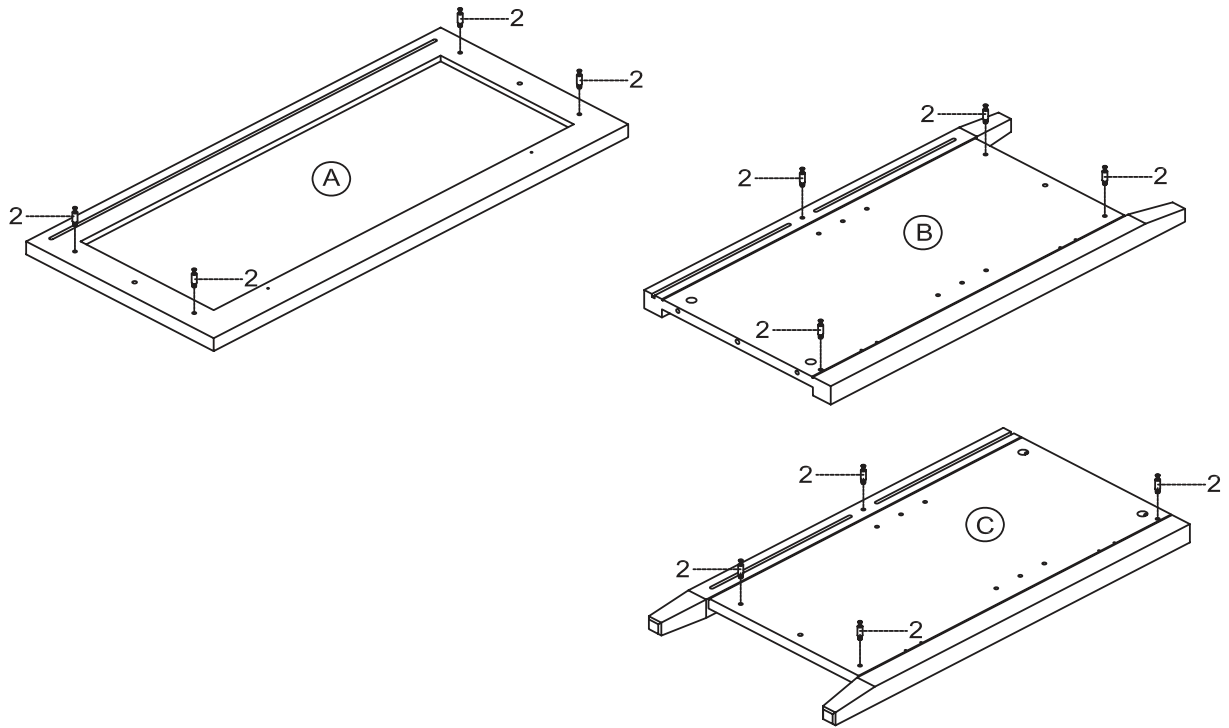
If Cam Lock
is too loose,
Please adjust Metal
Dowel to turn right
as drawing.



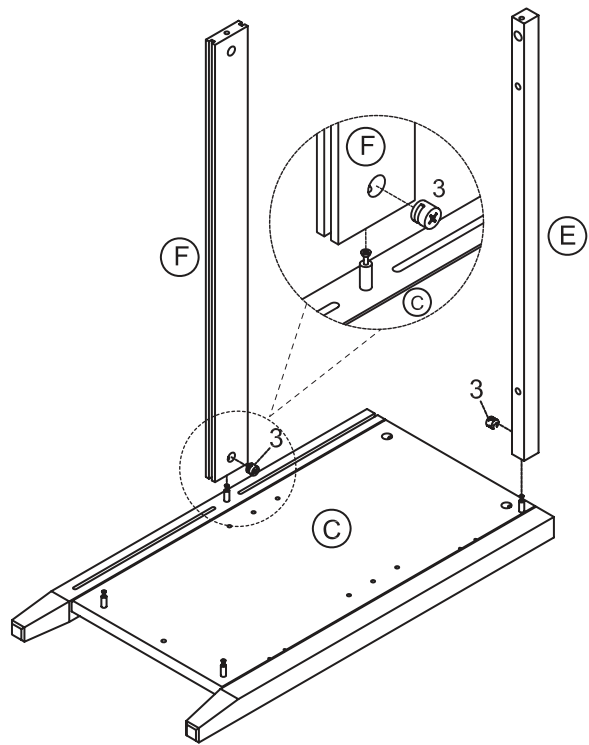
If Cam Lock
is too tight,
Please adjust Metal
Dowel to turn left
as drawing.

How to assemble:

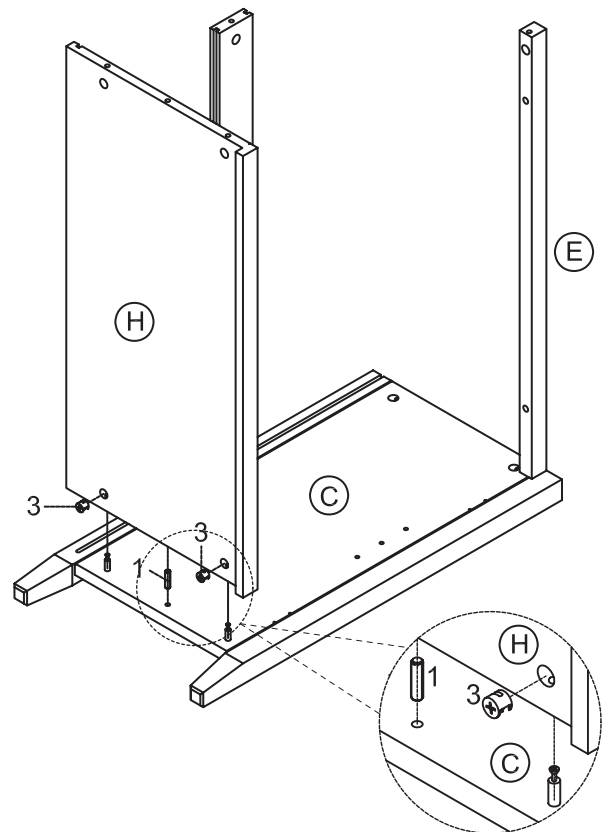
Step 1



Step 2

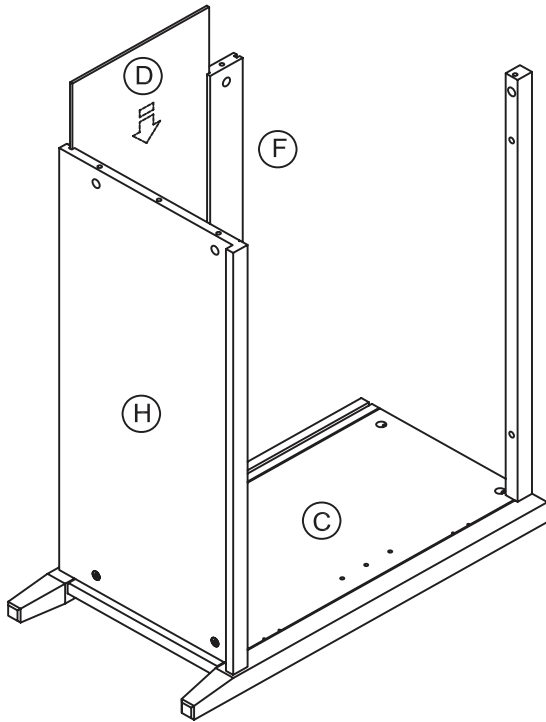


Step 3

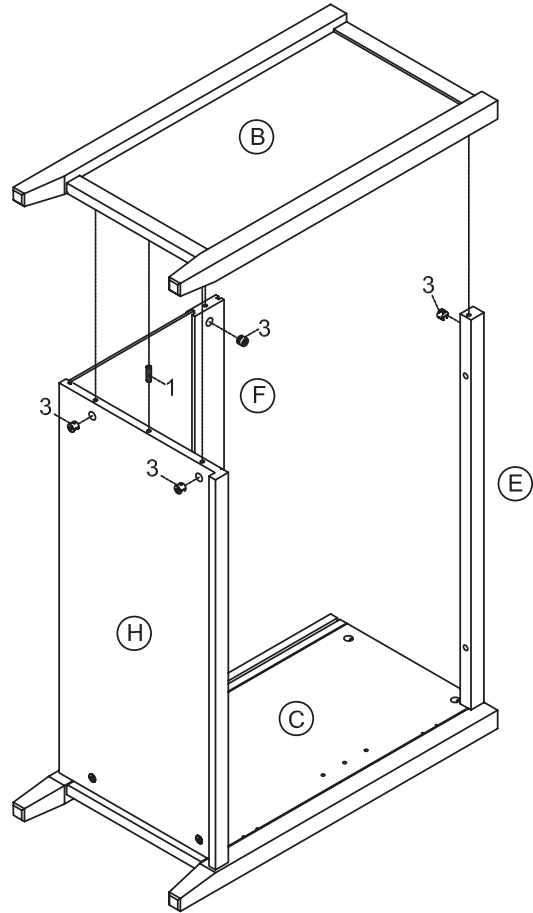


How to assemble:

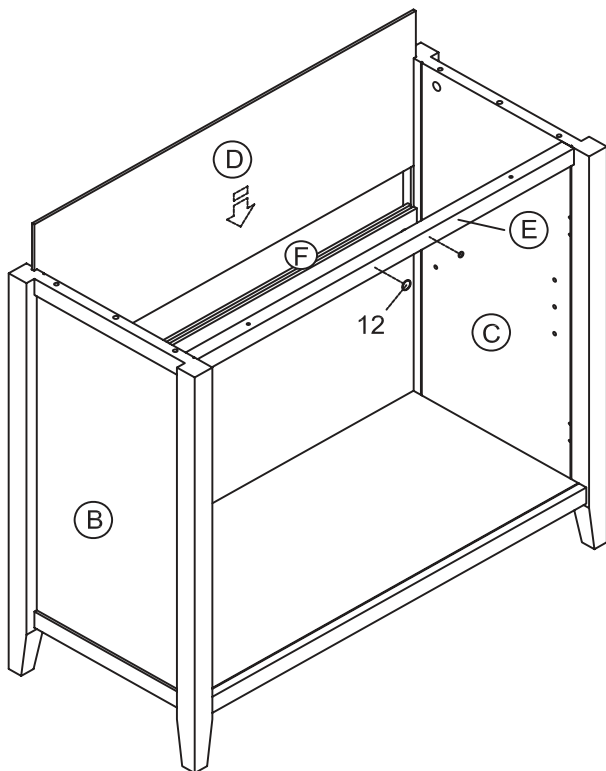
Step 4



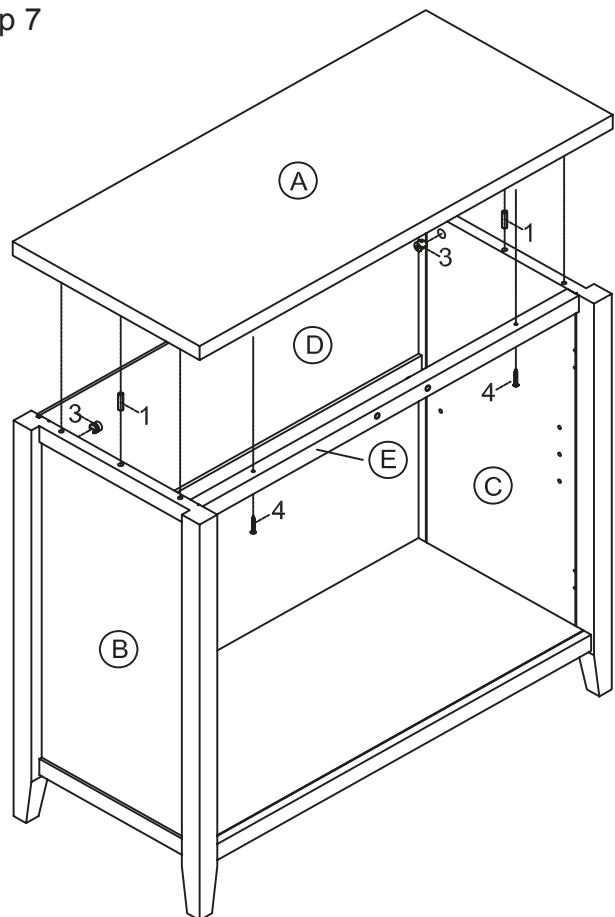
Step 5



Step 6

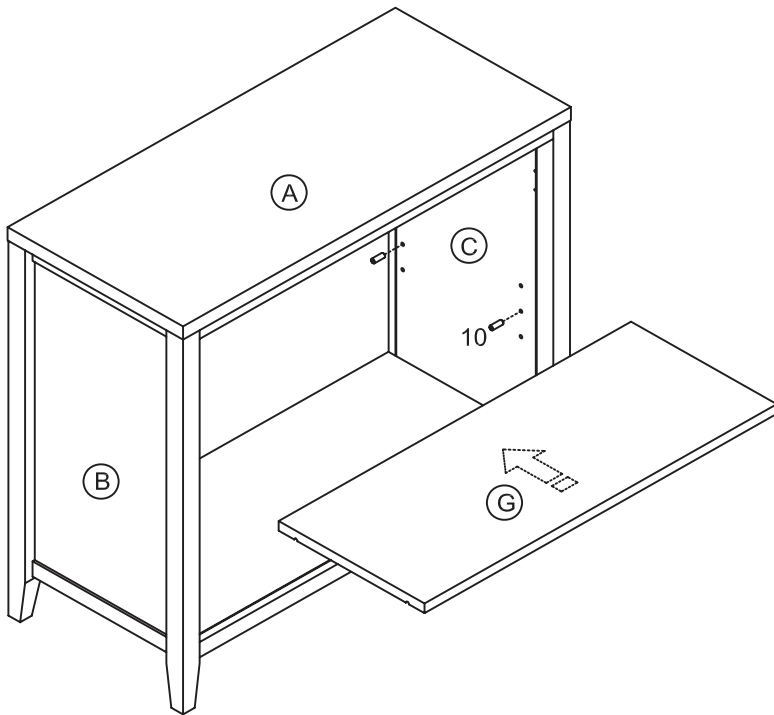


Step 7

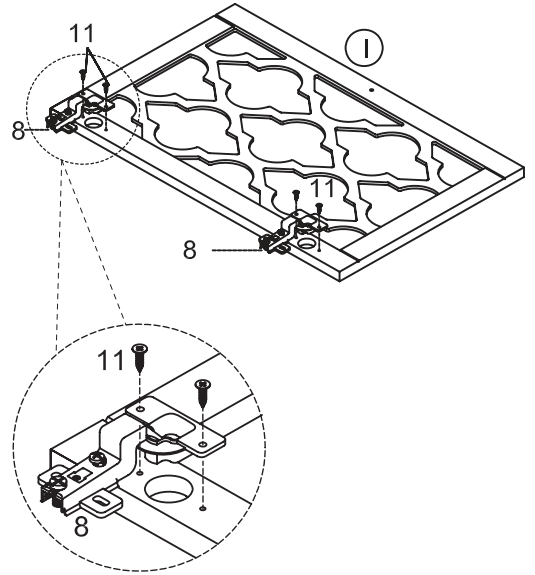


How to assemble:

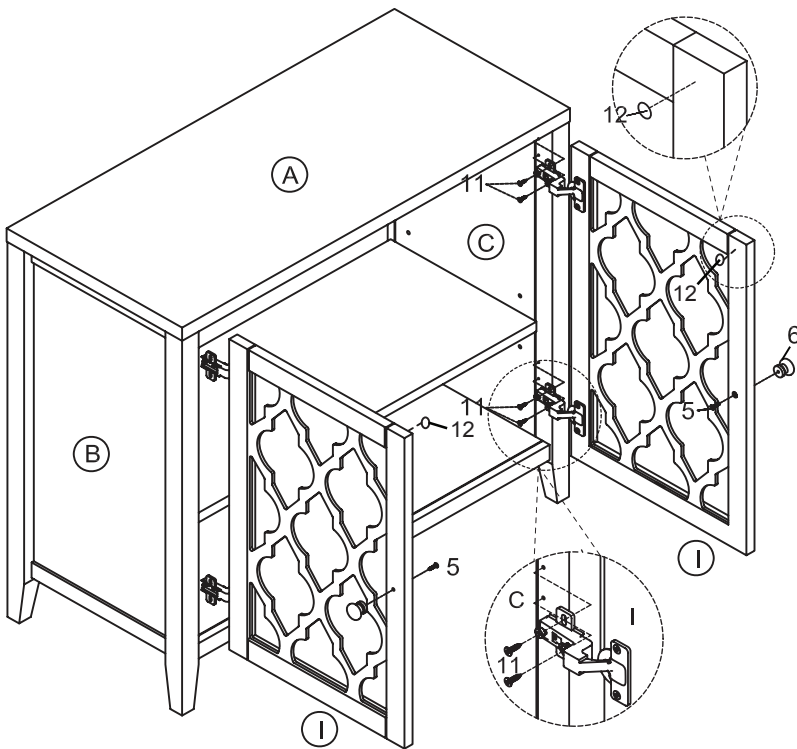
Step 8



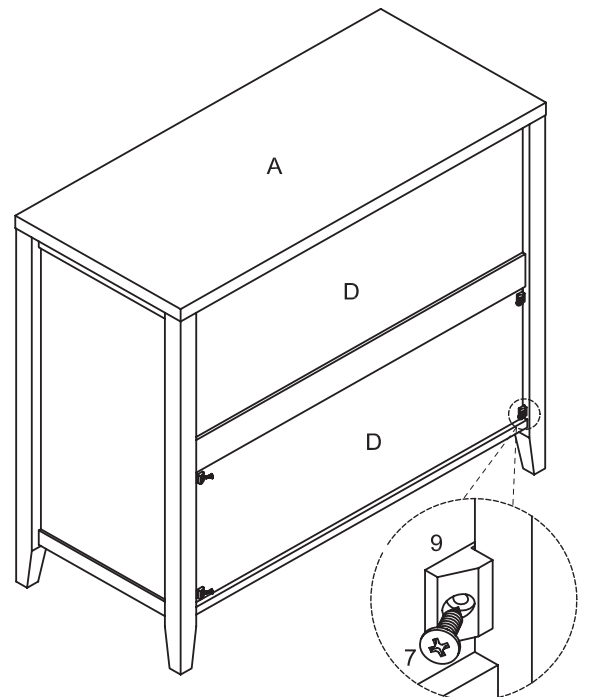
Step 9



Step 10

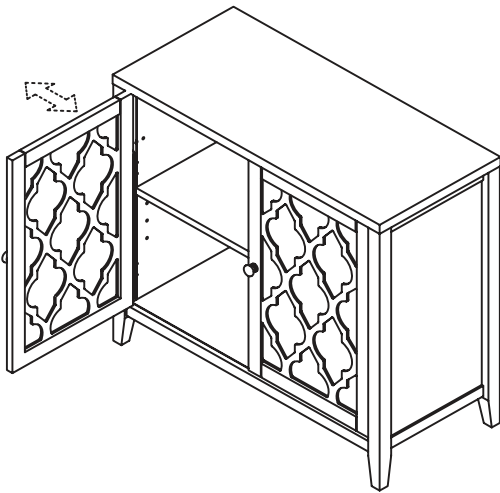


Step 11

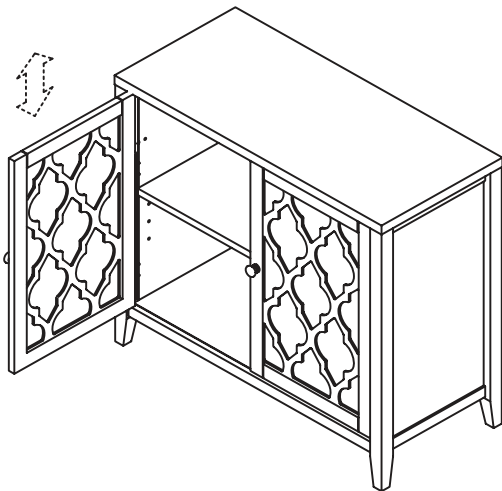
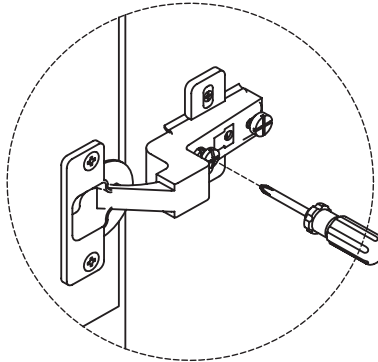


How to assemble:

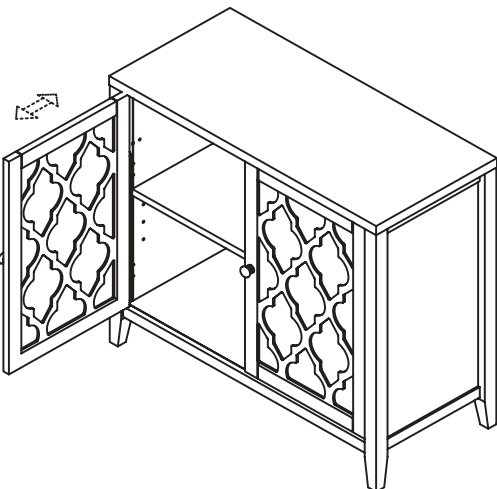
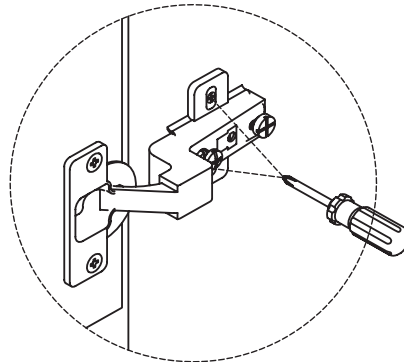
Step 12



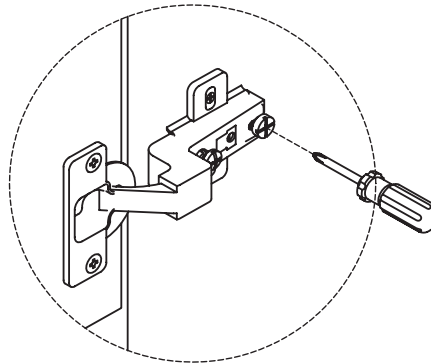
To move doors left or right, loosen screw as shown and move doors to suit. Re-tighten screw.



To move doors up or down, loosen screws as shown and move doors to suit. Re-tighten screws.



To move doors in or out, loosen screw as shown and move doors to suit. Re-tighten screw.



How to assemble:

Step 13

