

RUSTIC 2 DRAWER DESK

ASSEMBLY INSTRUCTION

ITEM#: ZS007R/ZS007B/ZS007W

SKU#: 810343918/810534674/810534673

Need help? We are here for you!
www.biglots.com/help/contact-us

GENERAL BEST PRACTICES FOR ASSEMBLY:

Read all instructions before starting

Clear a flat covered space to assemble

We recommend two people for assembly.

Note that hardware required is provided for every step

Pay attention to orientation

Letter of the part corresponds to a sticker on the product

Number of the hardware corresponds to its number in the package

Helpful hints provided along the way

Note: This product includes a tube of glue. The glue is not required for assembly but can help the products durability and structural soundness and extend the life of the product. Please follow these instructions to use the glue. It is important to note that if glue is used for assembly, the product will no longer have the ability to be disassembled.

1. Place a small dab of glue into the hole just prior to placing the wood dowel into position. DO NOT fill the hole with glue.

2. Wipe up any excess glue up with a damp paper towel.

3. Repeat this for all holes where a wood dowel is inserted.

Hint: If too much glue is placed into a hole, Q-tip can be used to remove excess glue and transfer it to the next hole. Be certain to wipe up any excess glue immediately with a damp paper towel.

MAINTENANCE:

Regularly check hardware and tighten if necessary

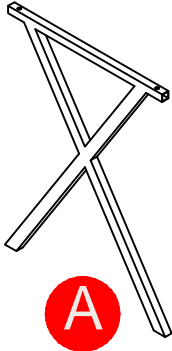
CARE AND CLEANING:

Clean periodically by wiping the product with a soft clean cloth

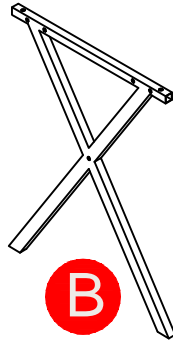
DO NOT use abrasive chemicals for cleaning.



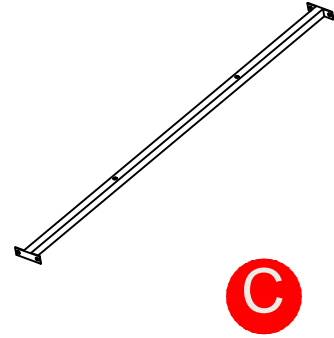
PARTS LIST



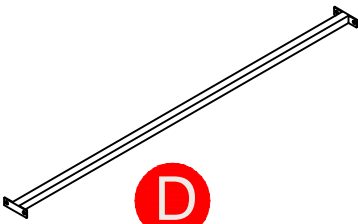
A
x1
LEFT LEG



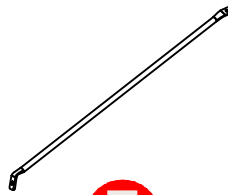
B
x1
RIGHT LEG



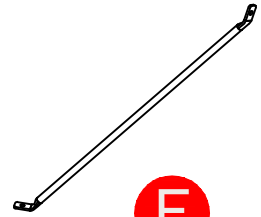
C
x1
BACK SUPPORT BAR



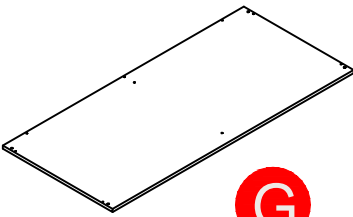
D
x1
FRONT SUPPORT BAR



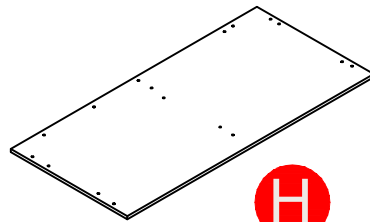
E
x1
REAR RIGHT SUPPORT BAR



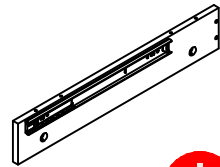
F
x1
REAR LEFT SUPPORT BAR



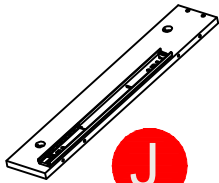
G
x1
BOTTOM PANEL



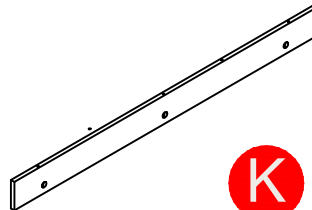
H
x1
TOP PANEL



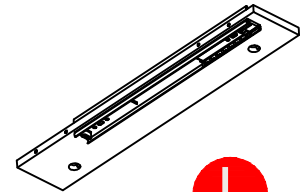
I
x1
RIGHT SIDE PANEL



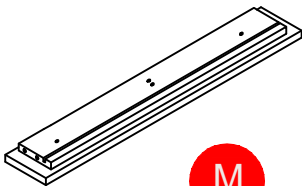
J
x1
LEFT SIDE PANEL



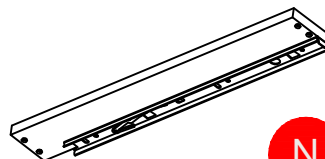
K
x1
BACK PANEL



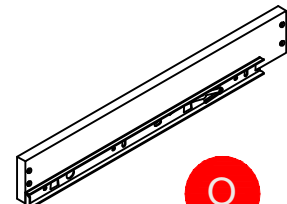
L
x1
MIDDLE PANEL



M
x2
DRAWER FRONT PANEL

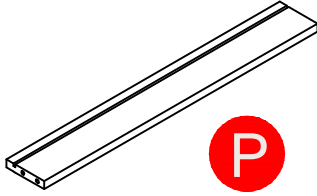


N
x2
LEFT SIDE PANEL OF DRAWER



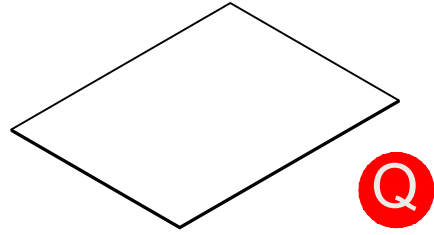
O
x2
RIGHT SIDE PANEL OF DRAWER

PARTS LIST



x2

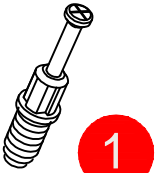
BACK PANEL OF DRAWER



x2

BOTTOM PANEL OF DRAWER

HARDWARE LIST



1

x9

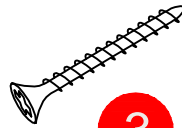
CAM



2

x9

CAM LOCK



3

x25

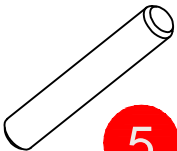
PHILLIPS SCREW



4

x2

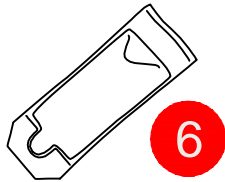
UMBRELLA HEAD BOLT



5

x20

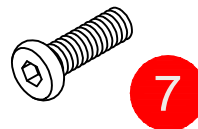
WOOD DOWEL



6

x1

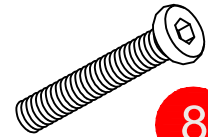
GLUE



7

x12

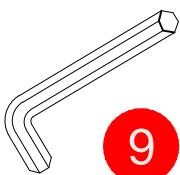
ALLEN BOLT



8

x4

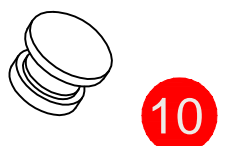
ALLEN BOLT



9

x1

ALLEN WRENCH

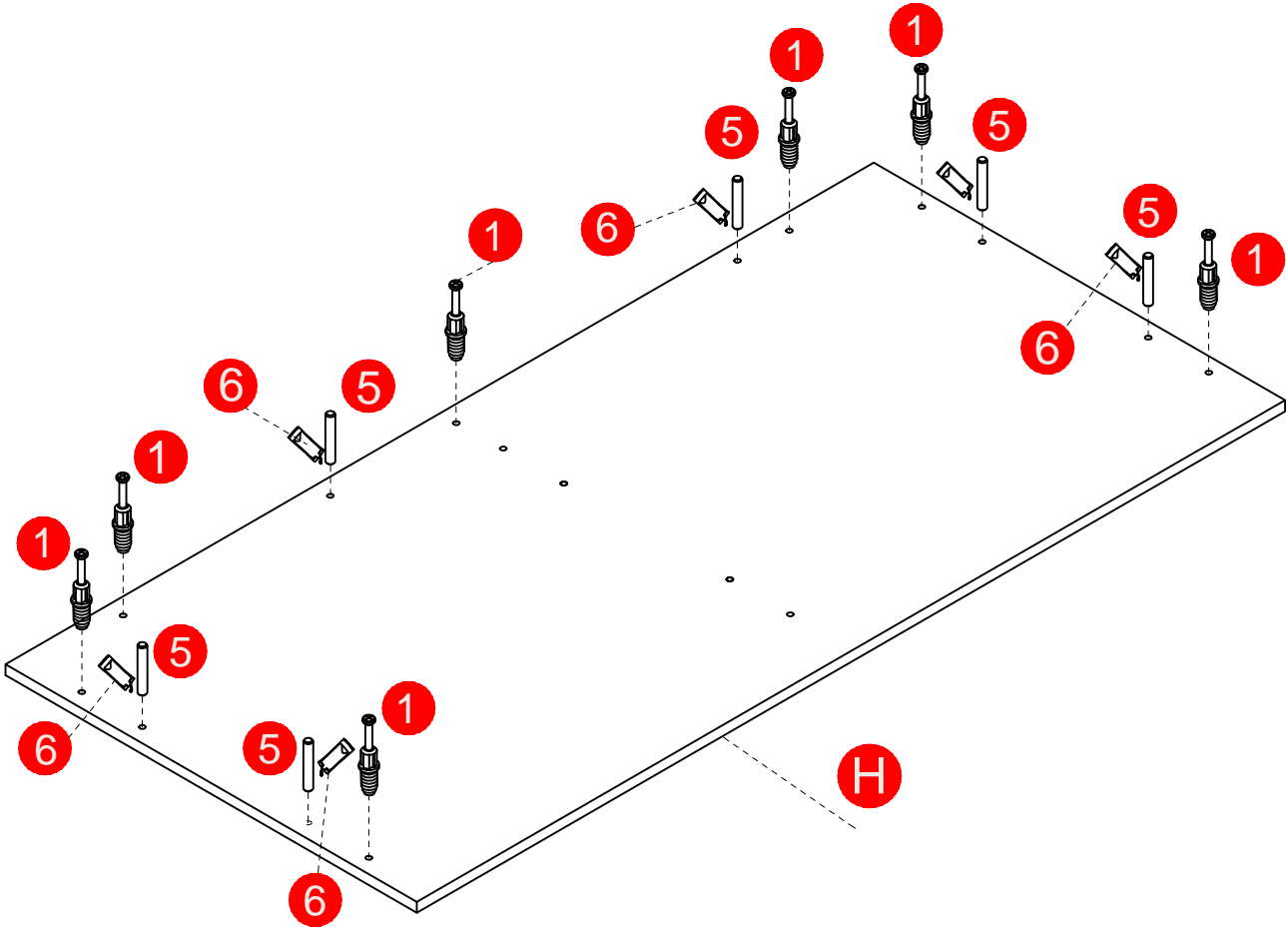
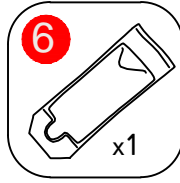


10

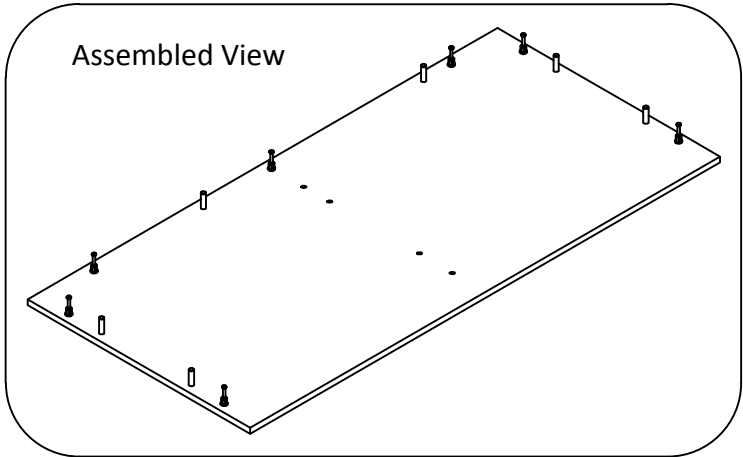
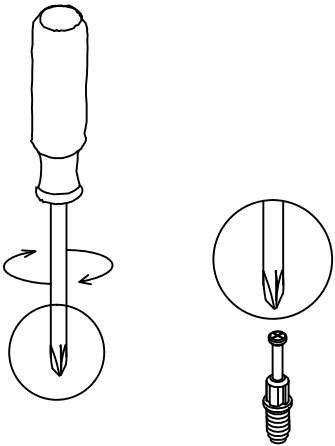
x2

HANDLE

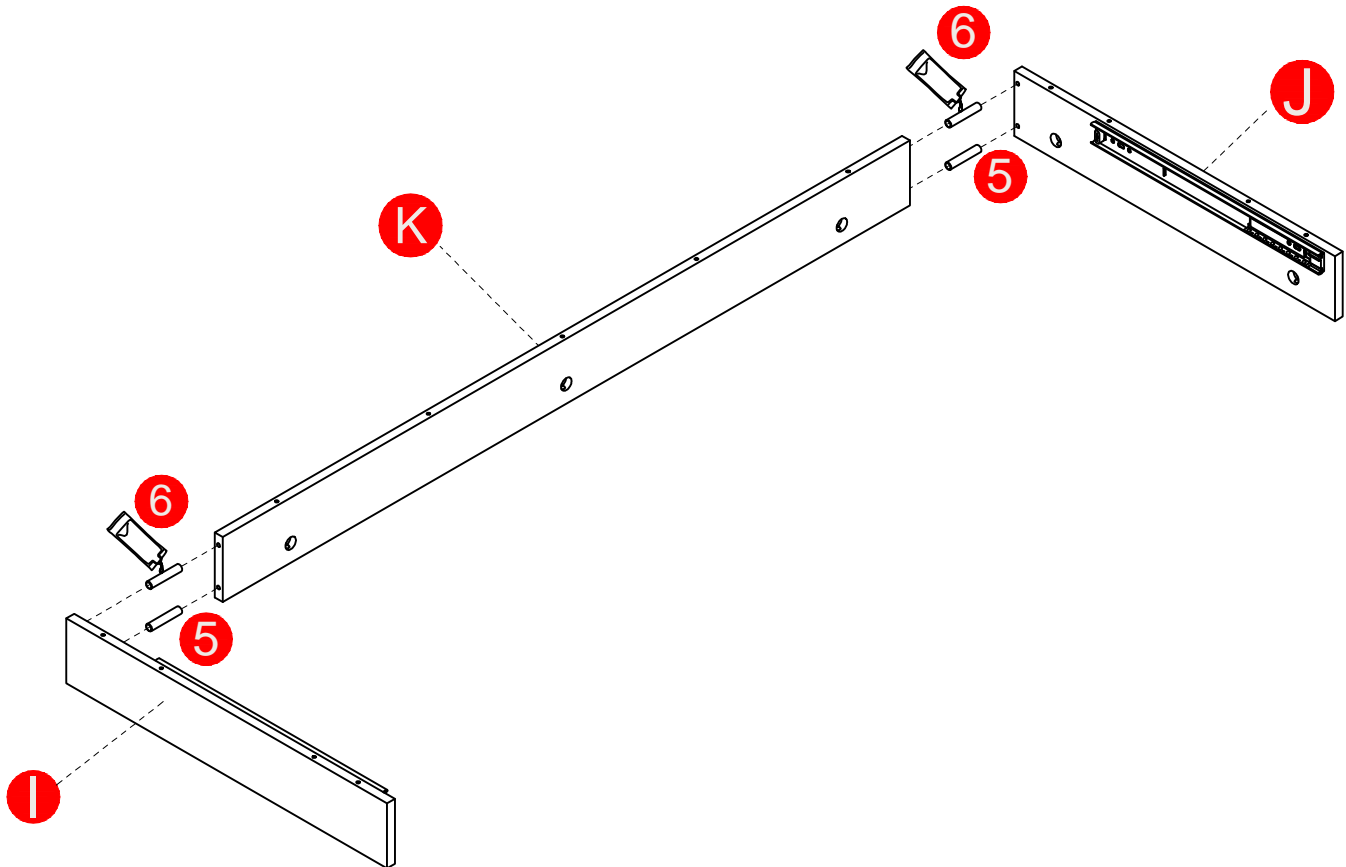
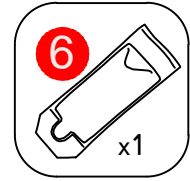
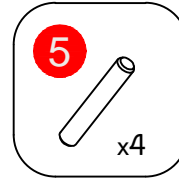
STEP 1



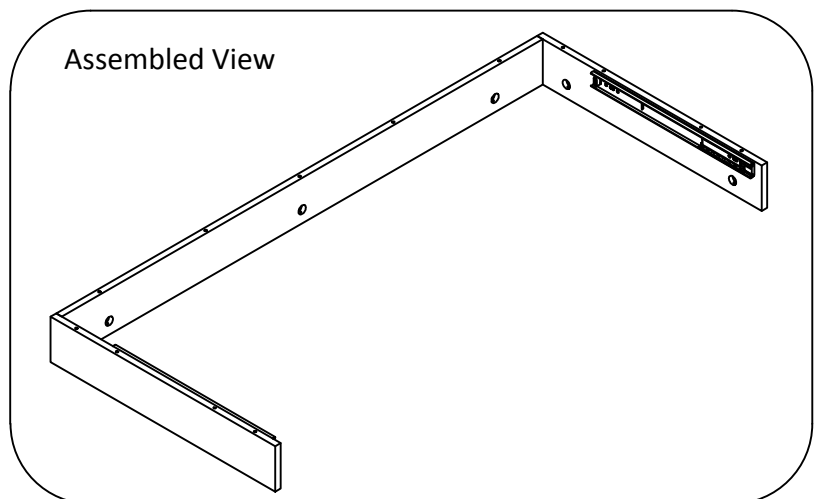
Insert cam (1) into top panel (H) using a Phillips screwdriver (not provided) and full tighten. Insert Wood dowel (5) into top panel (H) using glue (6) as directed in GENERAL BEST PRACTICES section of page 2.



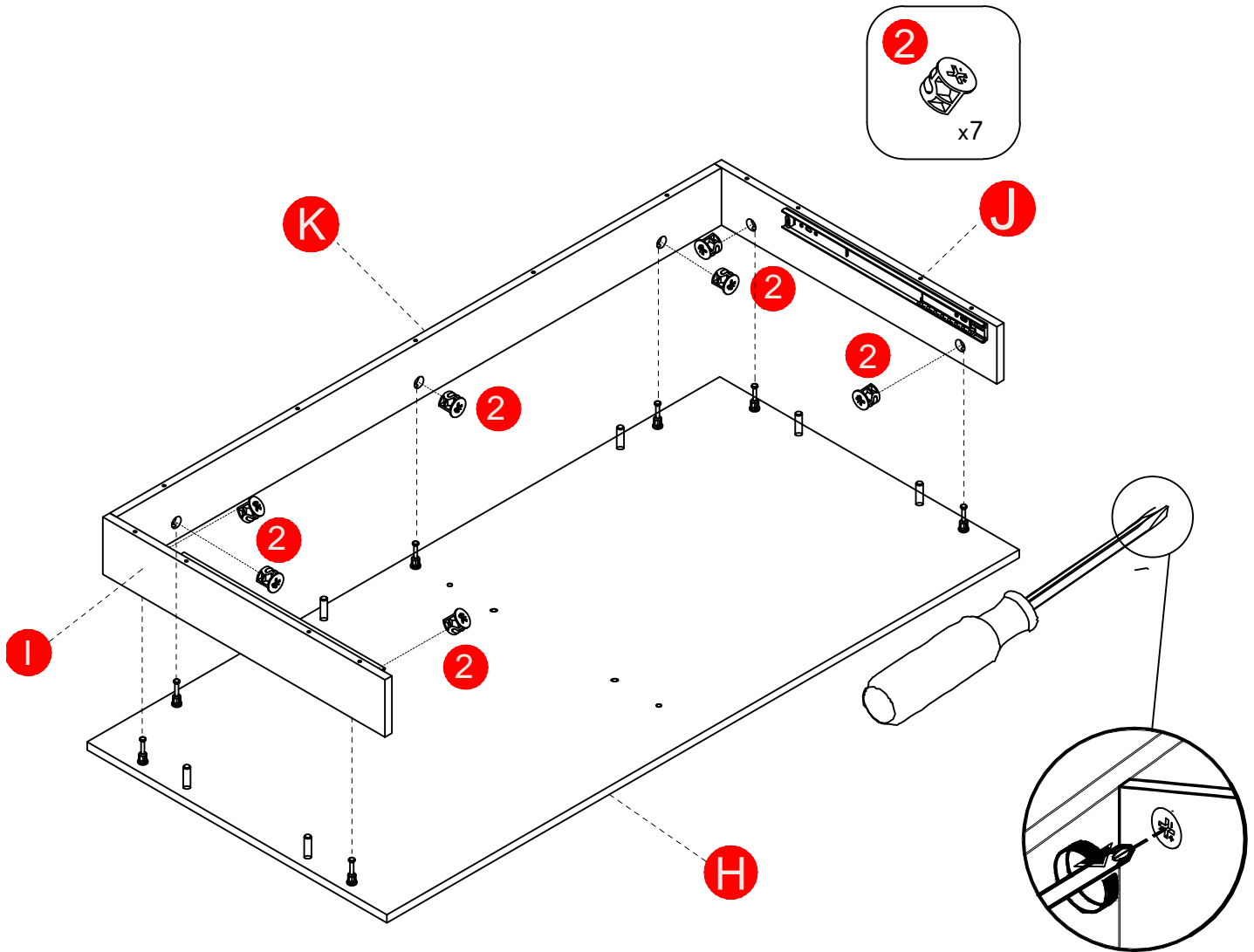
STEP 2



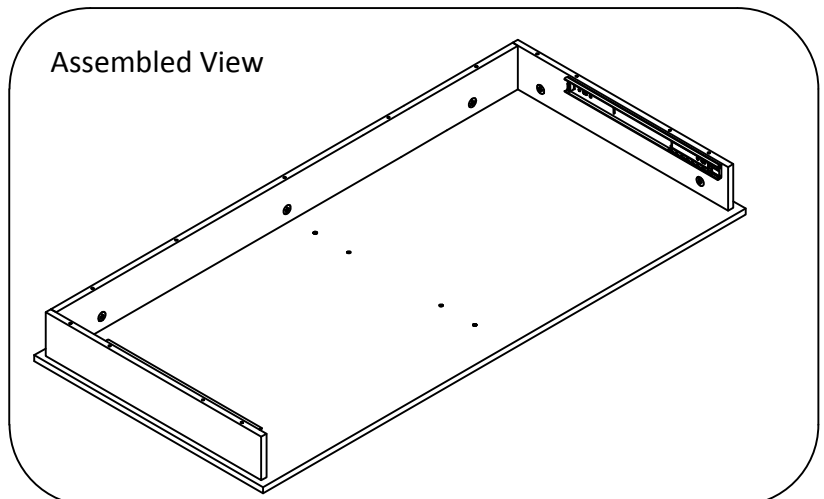
Assemble left side panel (I) and right side panel (J) to back panel (K) using wood dowels (5) and glue (6) as directed in GENERAL BEST PRACTICES section of page 2 .



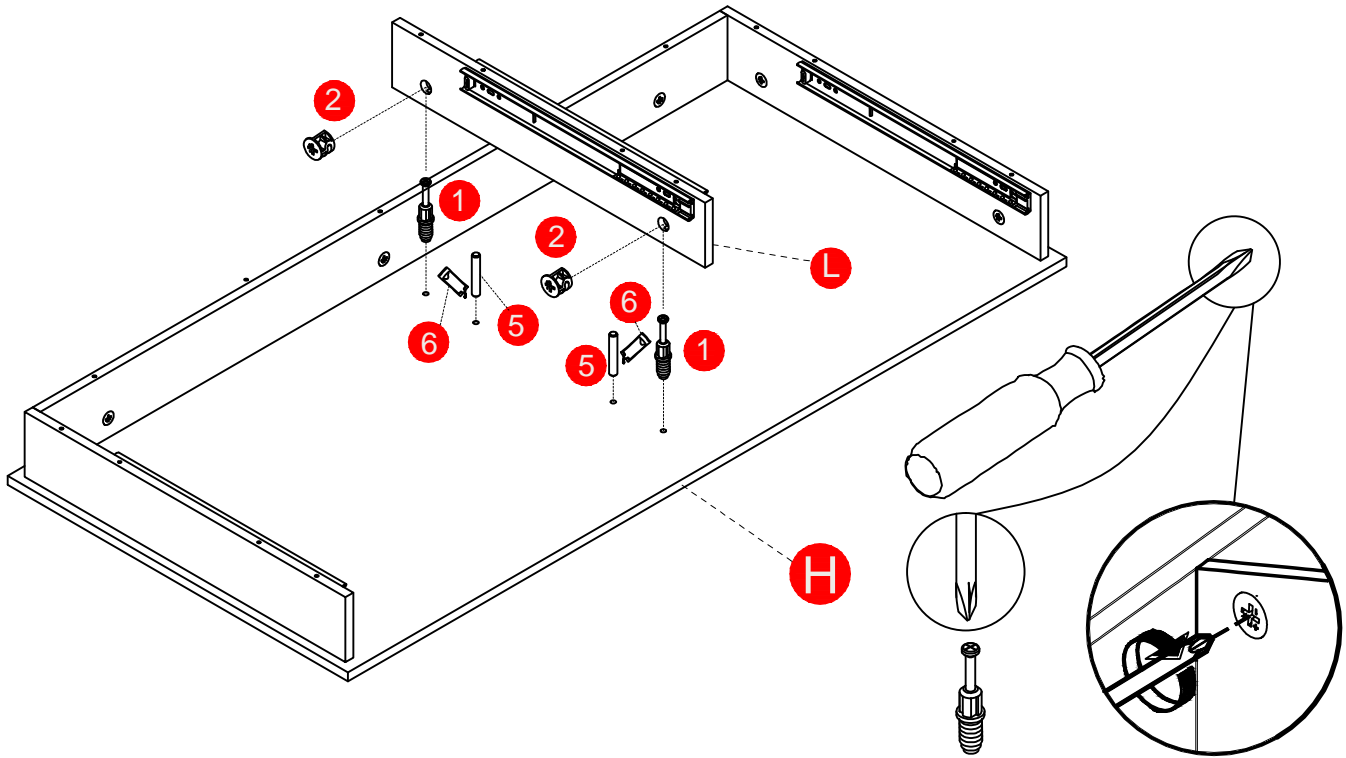
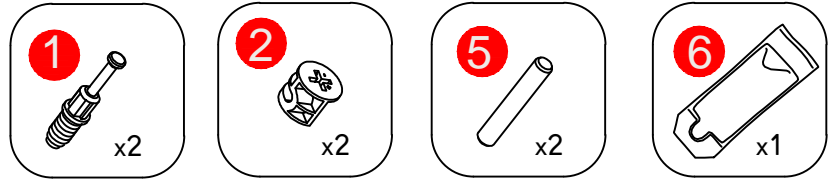
STEP 3



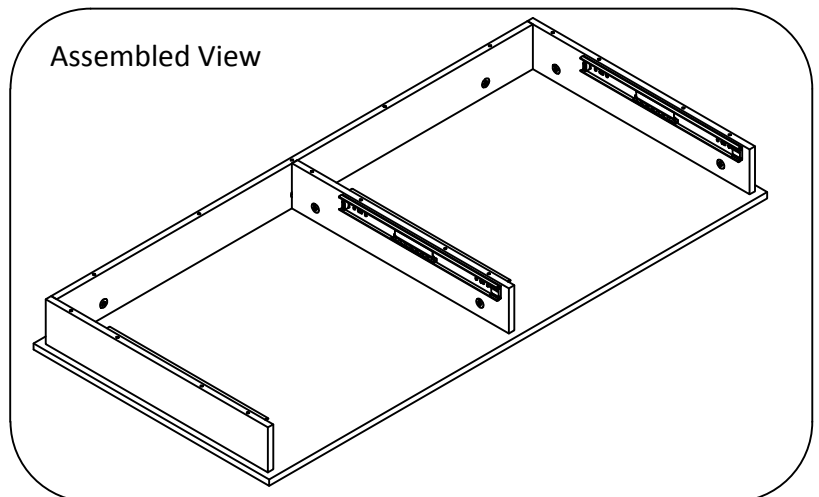
Insert cam lock (2) into holes of side panel (I), side panel (J) and back panel (K). Apply small dab of glue to top of wood dowels in top panel (H). Carefully place assembled side and back panels (I), (J) and (K) onto top panel (H) and tighten cam locks (2) with Phillips screwdriver (not provided). Wipe up any visible glue with a damp paper towel.



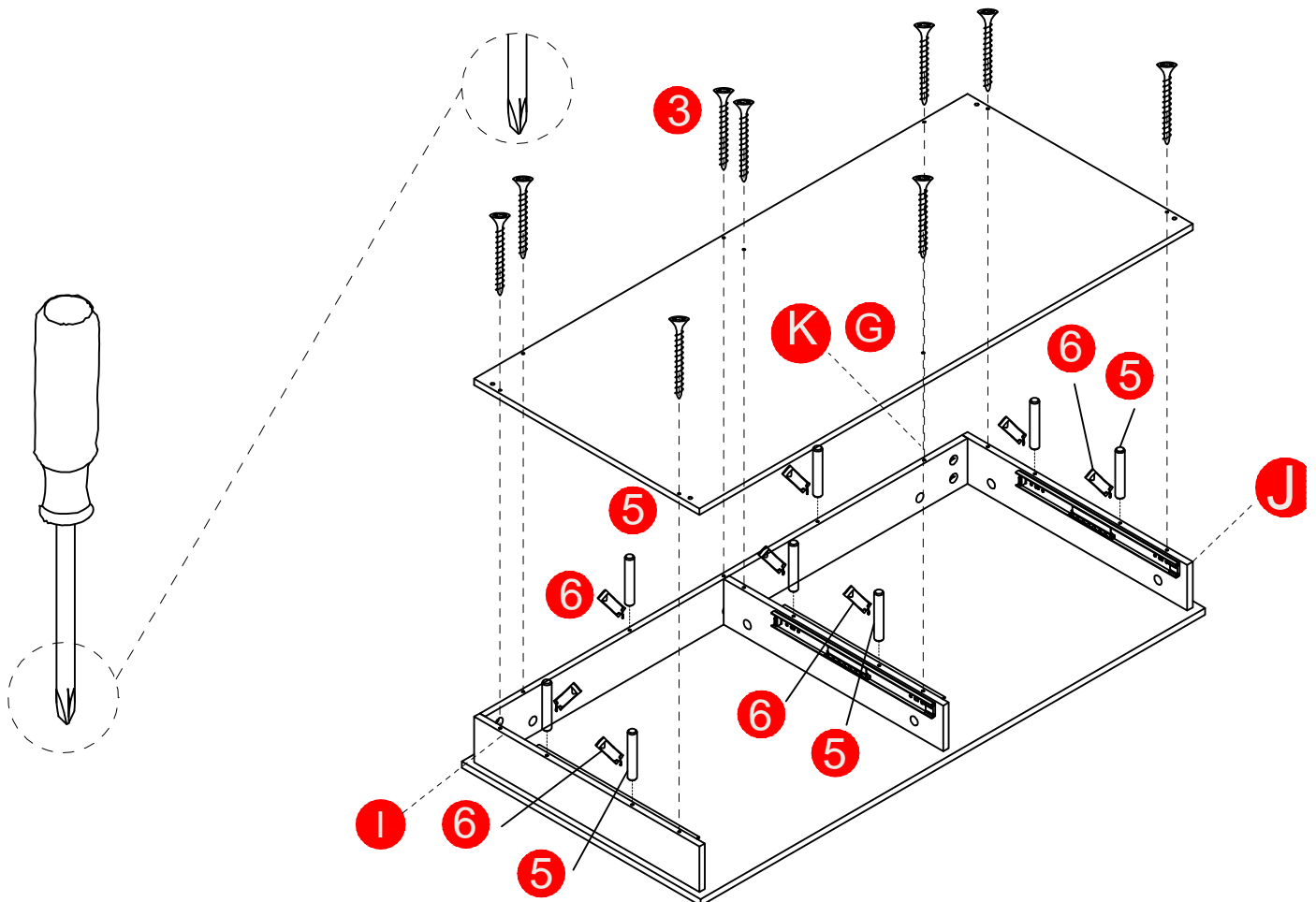
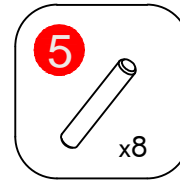
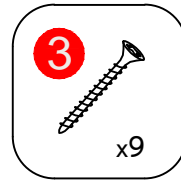
STEP 4



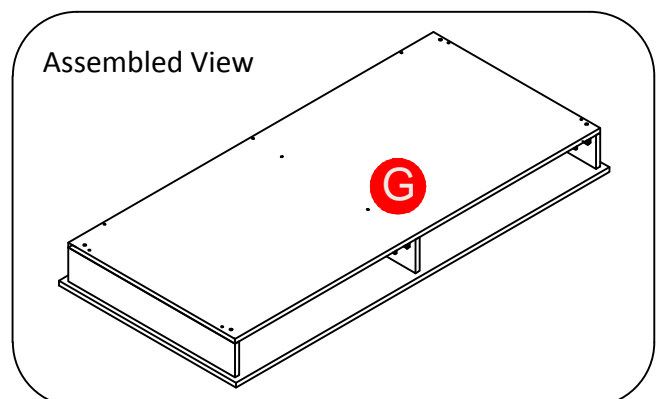
Insert cam (1) into top panel (H) using Phillips screwdriver (not provided). Insert wood dowel (5) into top panel (H) using glue (6) as directed in GENERAL BEST PRACTICES section of page 2. Insert cam lock (2) into holes of middle panel (L). Apply small dab of glue to top of wood dowels in top panel (H). Carefully place middle panel (L) onto top panel (H). Tighten cam locks (2) with Phillips screwdriver (not provided). Wipe up any visible glue with a damp paper towel.



STEP 5

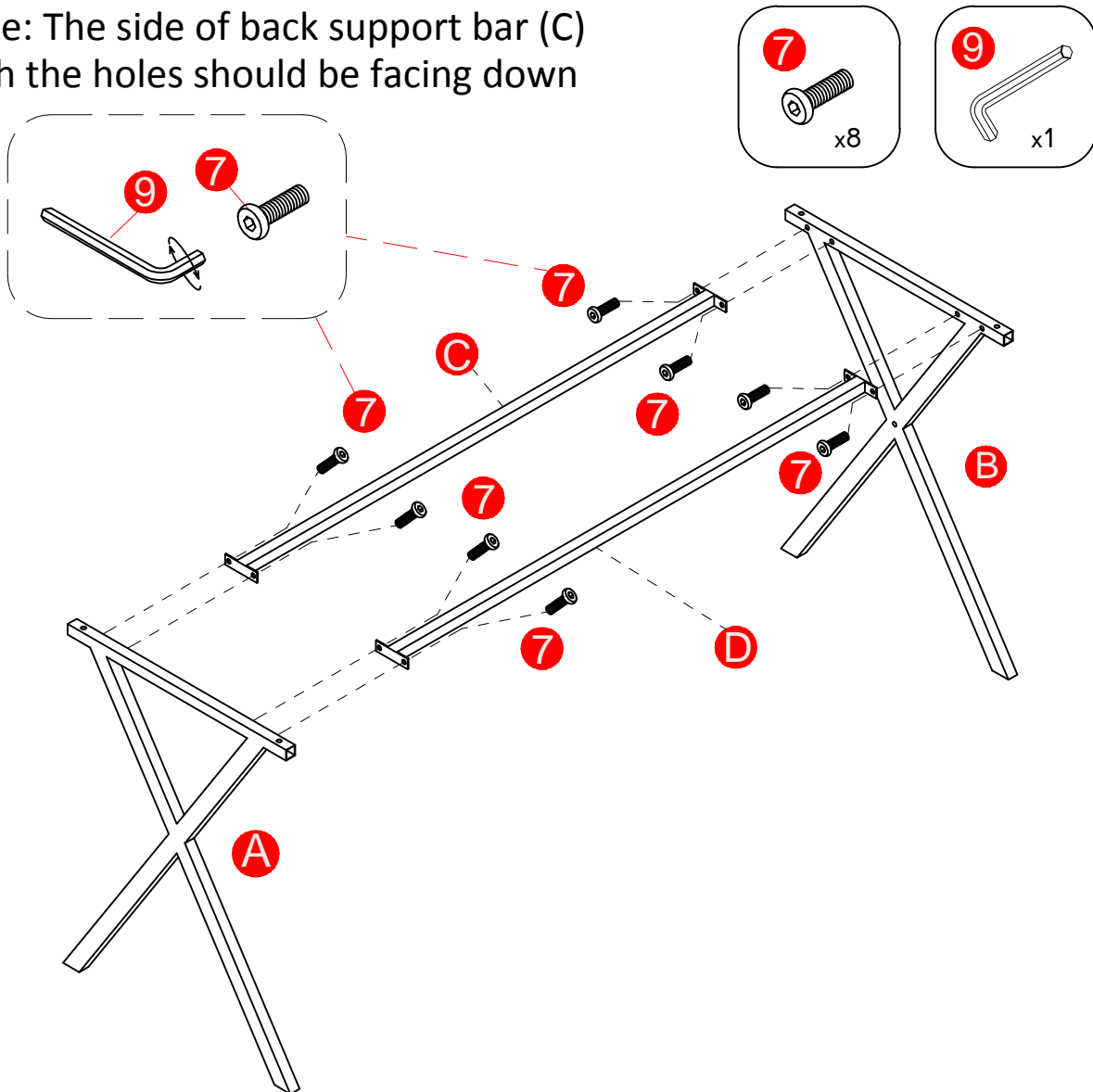


Insert wood dowel (5) into side and back panels (I), (J) and (K) using glue (6) as directed in GENERAL BEST PRACTICES section of page 2. Apply small dab of glue to top of wood dowels in side and back panels (I), (J) and (K) using glue (6). Carefully place bottom panel (G) onto side and back panels (I), (J) and (K). Secure bottom panel in place with Phillips screw (3) using Phillips screwdriver (not provided). Fully tighten all screws. Wipe up any visible glue with a damp paper towel.

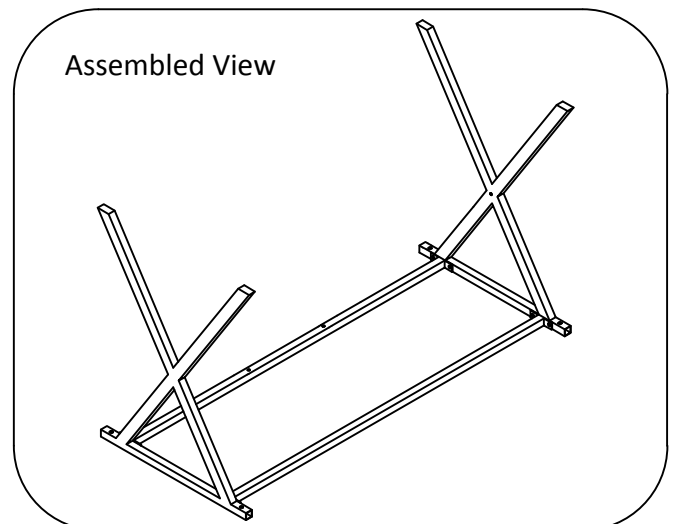


STEP 6

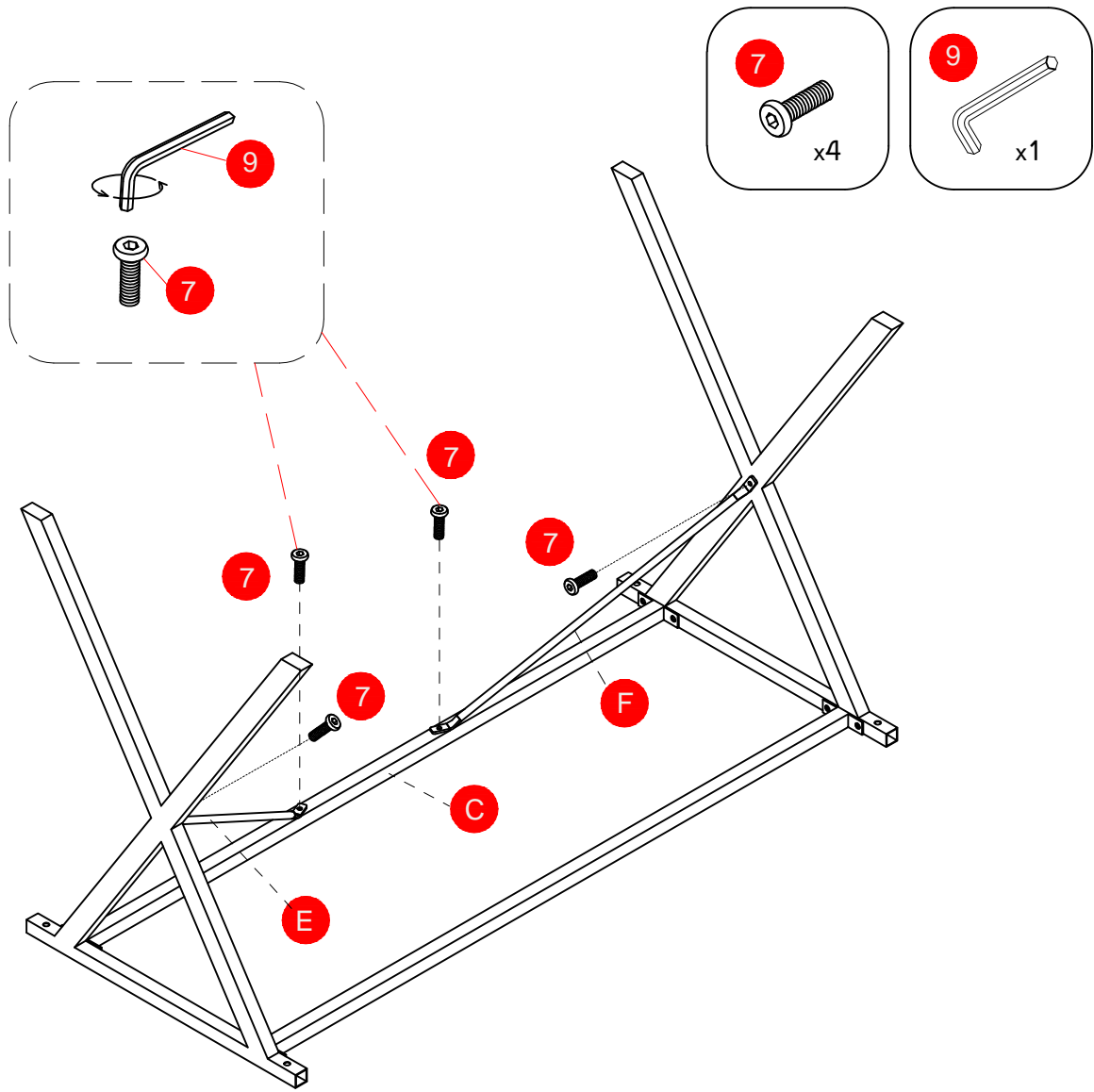
Note: The side of back support bar (C) with the holes should be facing down



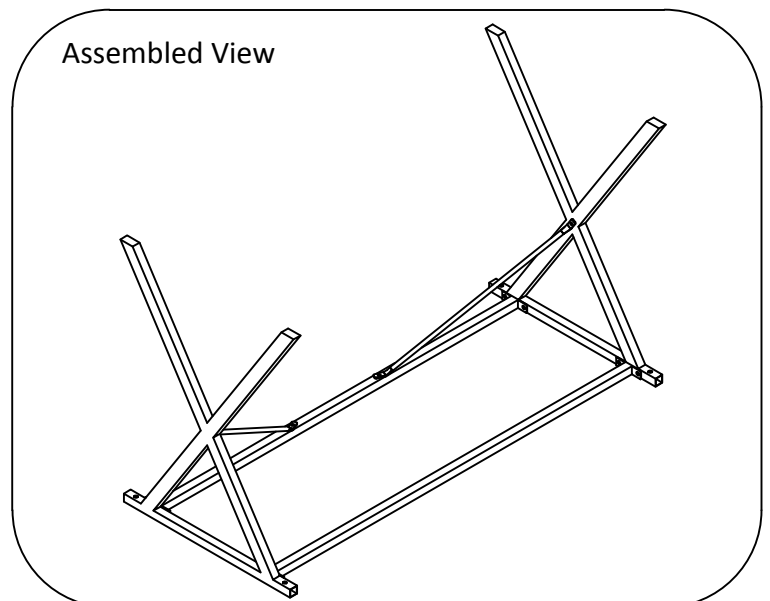
Assemble front support bar (D) & back support bar (C) on left leg (A) and right leg (B) with Allen bolts (7) by using Allen wrench (9).



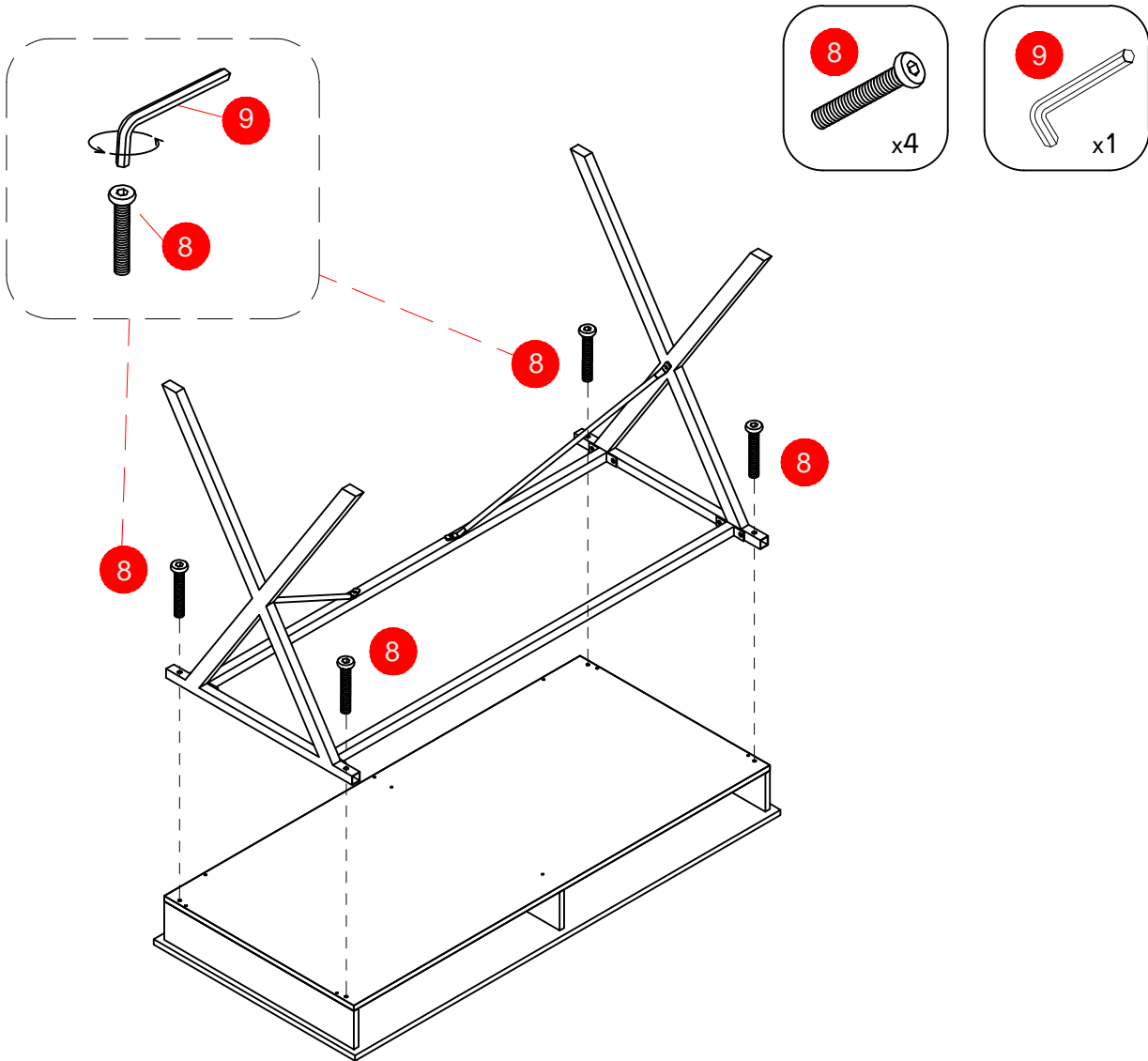
STEP 7



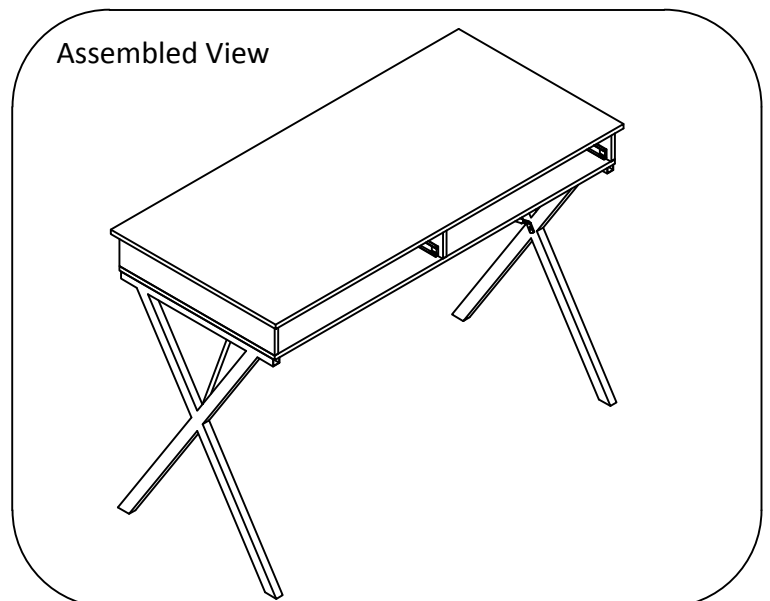
Assemble rear right cross bar (E) and rear left cross bar (F) with Allen bolts (7) by using Allen wrench (9).



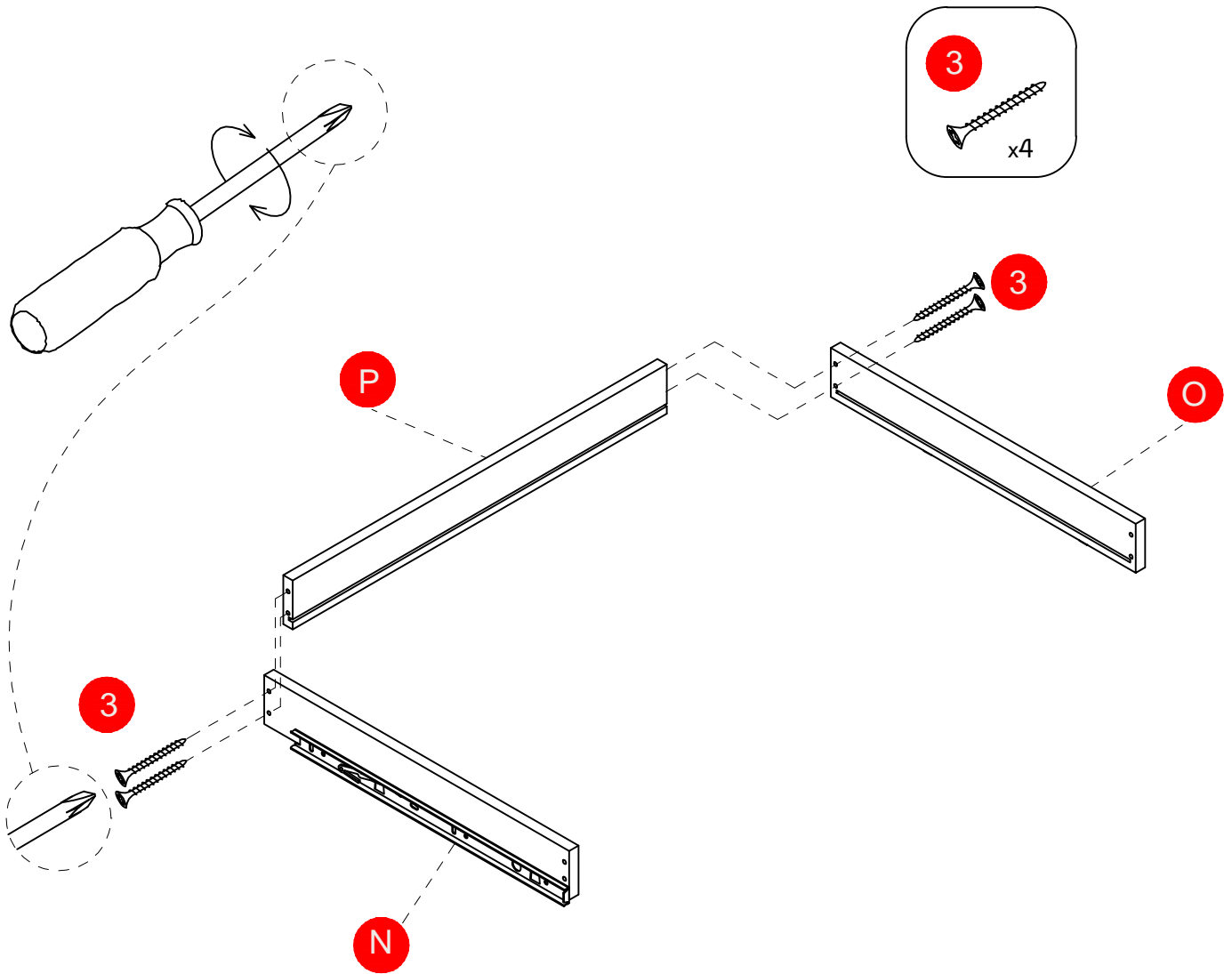
STEP 8



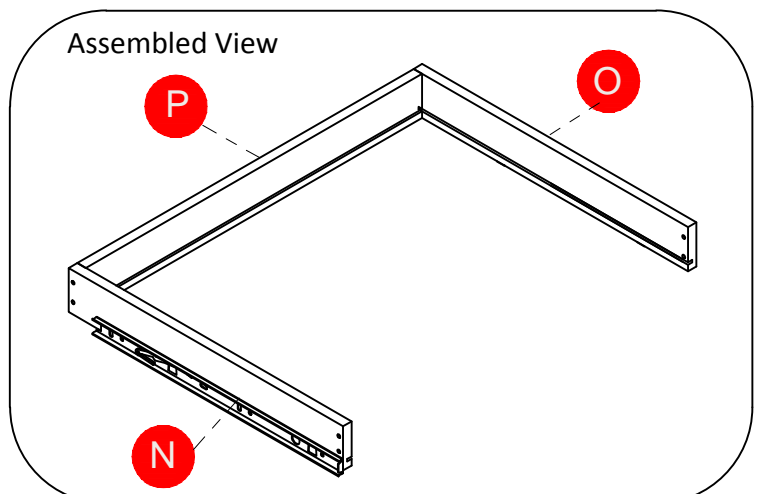
Carefully place the assembled metal frame onto the bottom panel (G) and attach with Allen bolts (8) using Allen wrench (9).



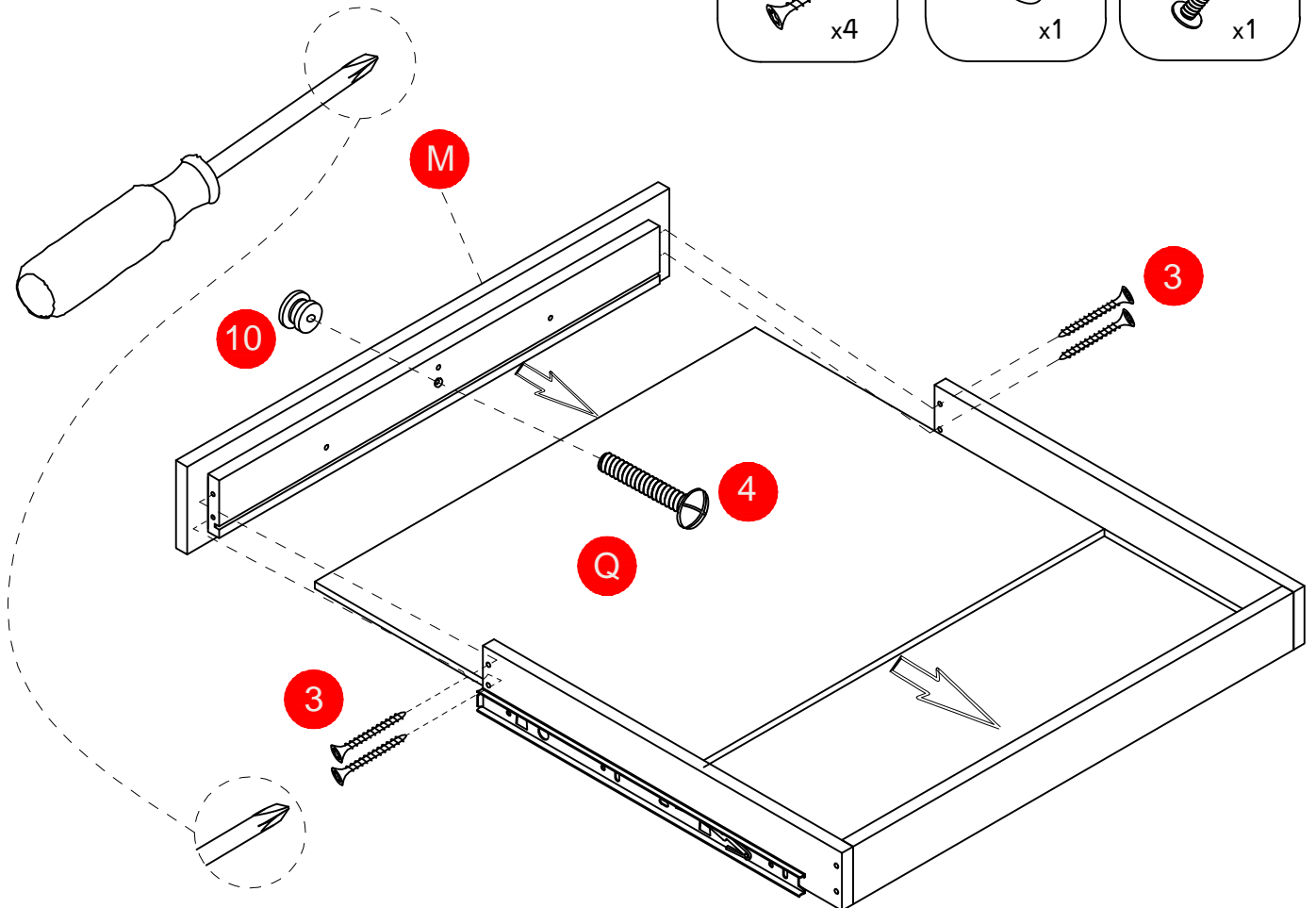
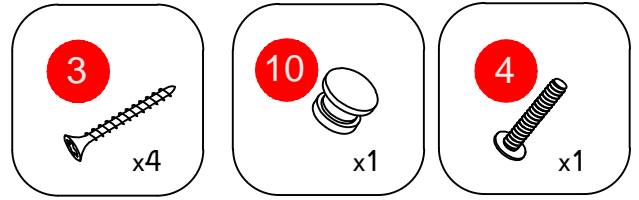
STEP 9



Assemble right side panel of drawer (O) and left side panel of drawer (N) to back panel of drawer (P) with Phillips screws (3) using Phillips screwdriver (not provided).

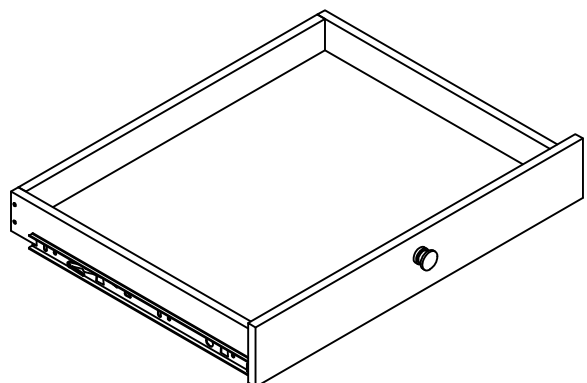


STEP 10



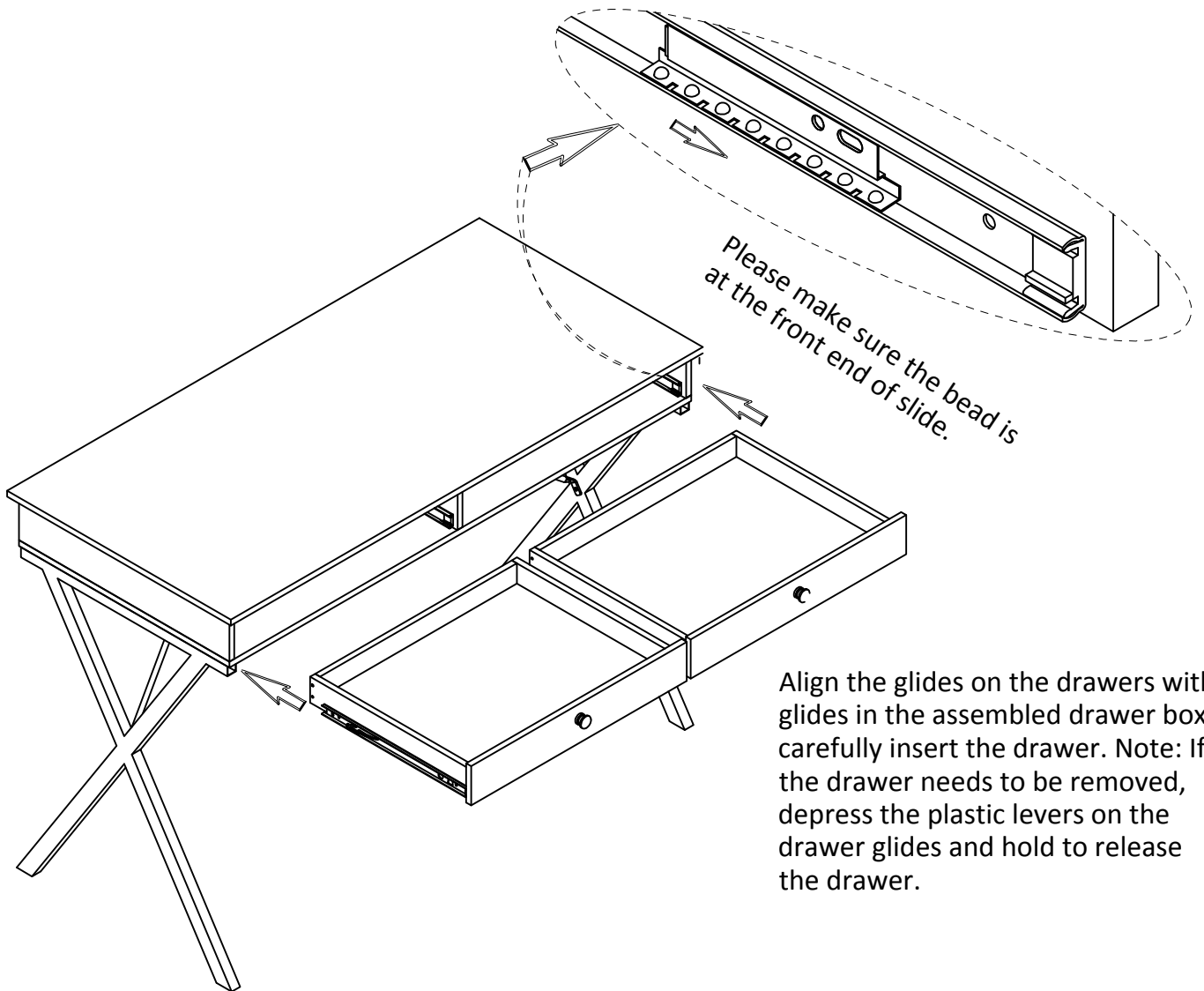
Slide bottom panel of drawer (Q) into grooves of assembled side and back panels of drawer. Attach drawer front panel (M) to left and right side panels of drawer using Phillips screws (3) and Phillips screwdriver (not provided). Attach handle (10) to drawer front panel (M) with umbrella head bolts (4) using Phillips screwdriver (not provided).

Assembled View



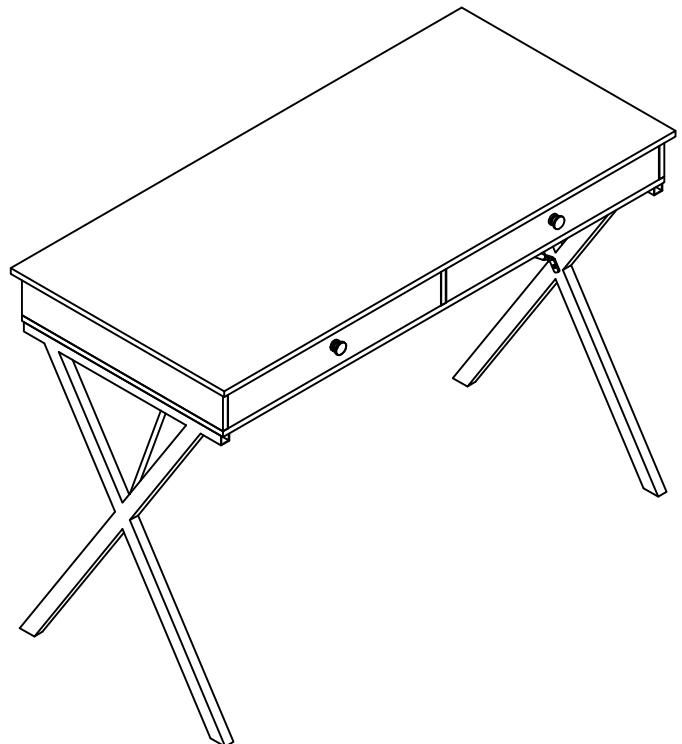
Repeat STEPS 9 through 10 to assemble remaining drawer.

STEP 11



Align the glides on the drawers with glides in the assembled drawer box. carefully insert the drawer. Note: If the drawer needs to be removed, depress the plastic levers on the drawer glides and hold to release the drawer.

PLEASE NOTE: The drawers should slide completely into desk. If drawers jam or bind, remove them, realign the glides and reinsert.



Assembly is now complete.