

WHITE CHEVAL MIRROR ARMOIRE

ASSEMBLY INSTRUCTIONS

ITEM# BL20201103-1WH

SKU# 810536906

Need help? We are here for you!
www.biglots.com/help/contact-us

GENERAL BEST PRACTICES FOR ASSEMBLY:

Read all instructions before starting

Clear a flat covered space to begin

We recommend 2 people for assembly

Note that hardware required is provided for every step

Pay attention to orientation

Letter of the part corresponds to a sticker on the product

Number of the hardware corresponds to its number in the package

Helpful hints provided along the way

MAINTENANCE:

Check bolts/screws periodically and tighten if necessary.

WARNING: Should this produce become damaged, and/or components are broken or missing, DO NOT USE.

CARE AND CLEANING:

DO NOT scratch or chip the finish.

DO NOT use abrasive chemicals for cleaning.

Clean with mild soap on a soft rag.

Rinse and dry thoroughly.

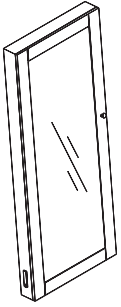
WARNINGS:

SUGGEST 2 ADULTS TO ASSEMBLE THIS PRODUCT IN AN OPEN AREA.



DO NOT USE POWER TOOLS TO ASSEMBLE.

PARTS LIST



A

x1pc
MIRROR



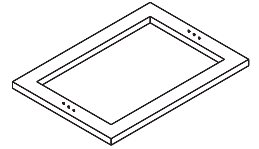
B

x2PCS
LEG



C

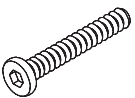
x1PC
CROSS BAR



D

x1PC
BASE

HARDWARE LIST



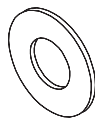
1

x6pcs
Bolt



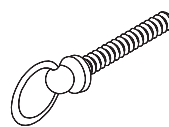
2

x2pcs
Bolt



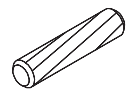
3

x2pcs
Flat Washer



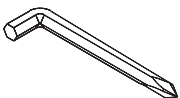
4

x2pcs
Bolt



5

x4pcs
Wooden dowel



6

x1pc
Wrench



7

x1pc
Bolt

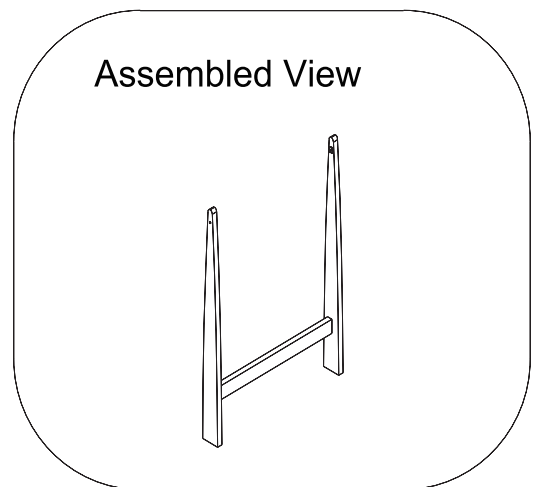
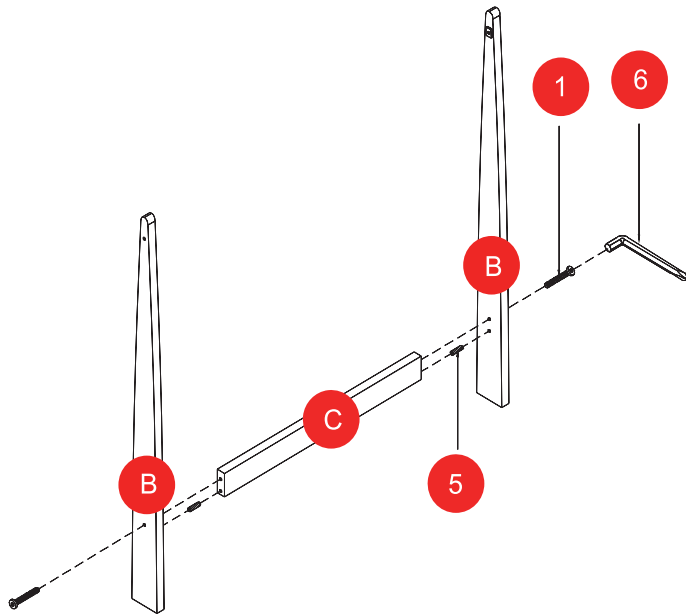
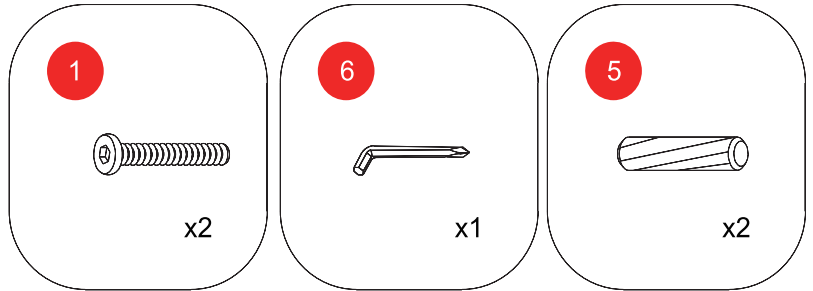


8

x1pc
Knob

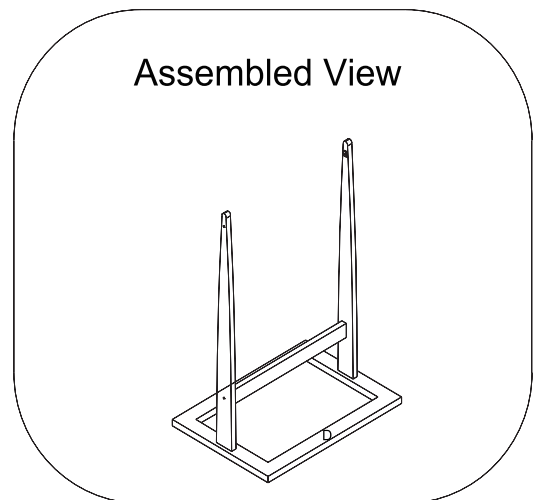
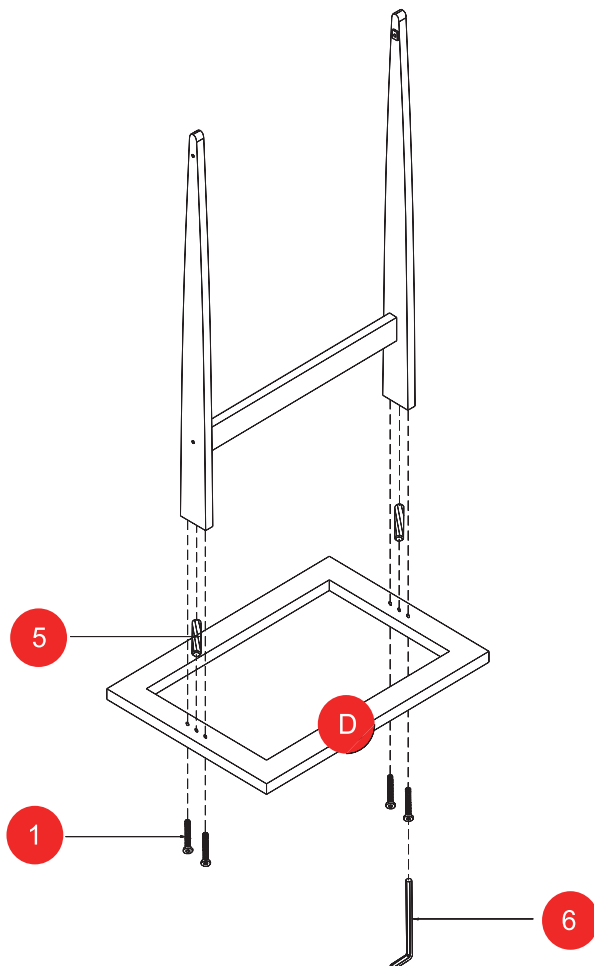
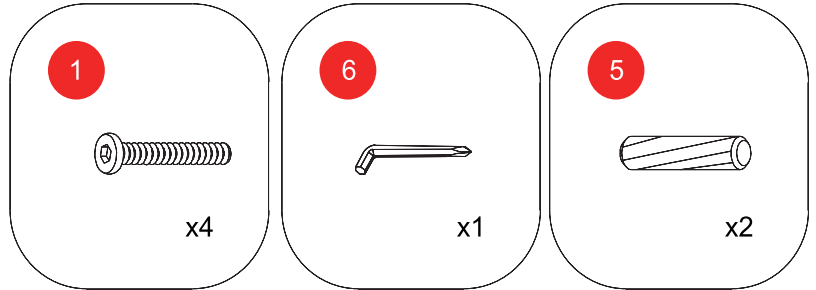
STEP 1

Insert Wood Dowel (5) into the nonthreaded holes in the ends of Cross Bar (C). Align the holes in Legs (B) with the Wood Dowel (5) in Cross Bar (C) and slide into place. Secure Legs (B) to Cross Bar (C) with Bolt (1) using Wrench (6). Fully tighten bolts.



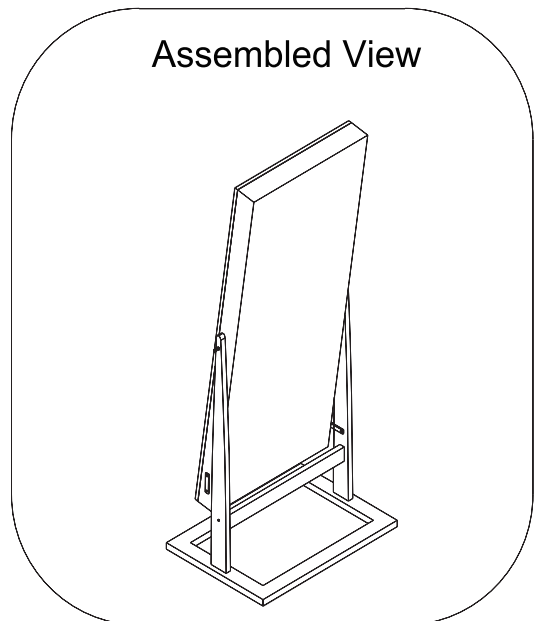
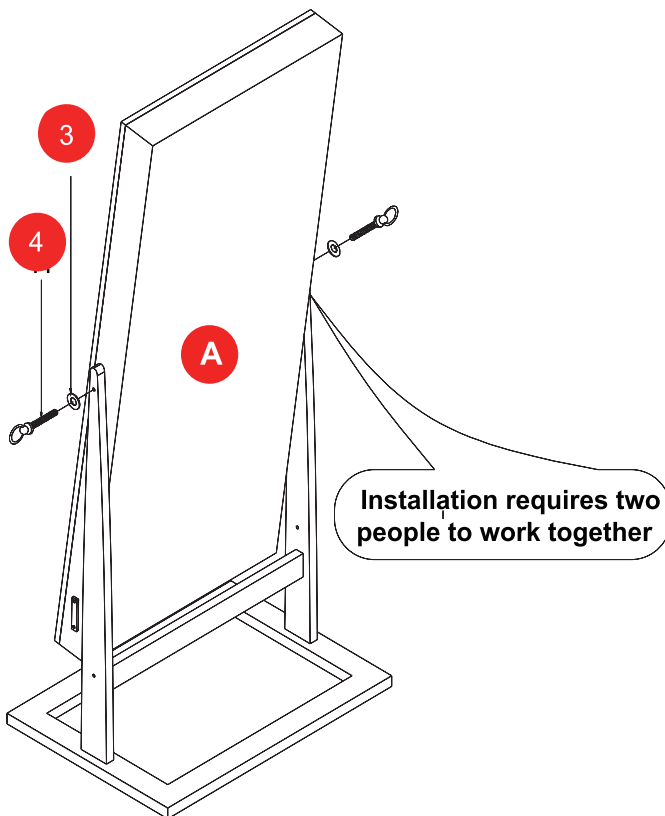
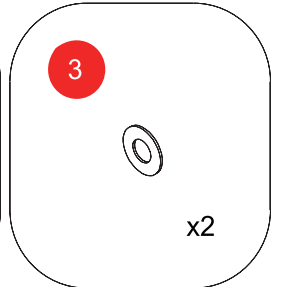
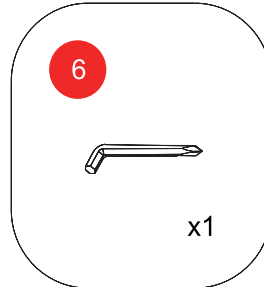
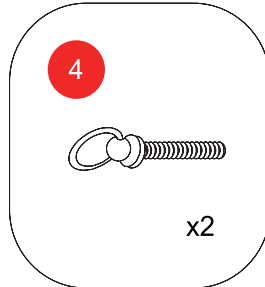
STEP 2

Insert Wood Dowel (5) into the center holes in Base (D) as shown. Align the center holes in Legs (B) with the wood Dowel (5) in Base (D) and slide into place. Secure Legs (B) to Base (D) with Bolt (1) using Wrench (6). Fully tighten bolts.



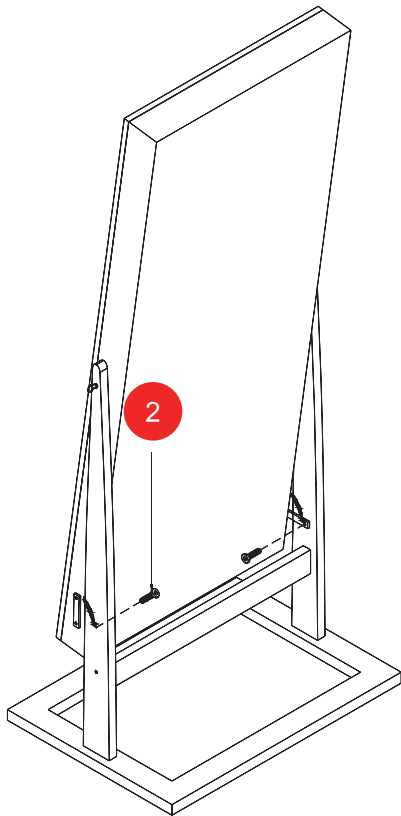
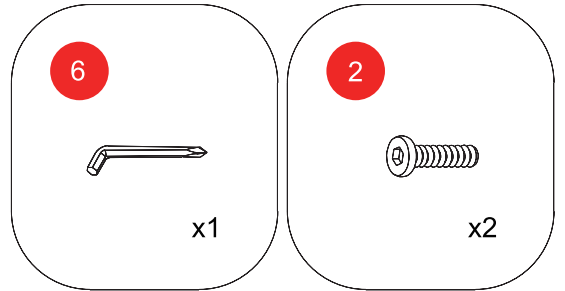
STEP 3

With assistance from another adult, Align the holes at the top of Leg (B) with the threaded holes in the side of Mirror (A). Secure Mirror (A) to Leg (B) with Bolt (4). Do not over tighten bolts.

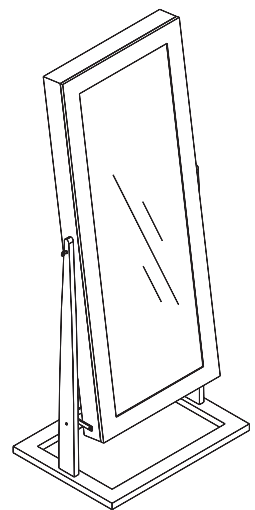


STEP 4

Align the ends of the bottom supports for Mirror (A) with the threaded holes in Leg (B). Secure the supports to the Leg (B) with Bolt (2) using Wrench (6).



Assembled View



STEP 5

Attach Knob (8) to the door of Mirror (A) with Bolt (7) using Wrench (6). Assembly is now complete.

