



ASSEMBLY INSTRUCTION

ITEM#: DE22748

SKU# 810546480

Manufactured for: Broyhill, LLC

P.O. Box 236; Summit Station, OH 43073

MADE IN CHINA

ASHEVILLE HIGH DINING CHAIR

STOP!

Missing A Part? No Need To Go Back To The Store!

The store where you made your purchase does not stock parts for this item.

If you need parts, whether they are missing or damaged.

Please email: support@aceevert.com along with proof of purchase.

Toll Free Customer Service Hotline at: (877) 980-6928

- Monday through Friday 7:30am until 4:30pm PST -

GENERAL BEST PRACTICES FOR ASSEMBLY:

Read all instructions before starting

To avoid damaging this product, assemble it on a soft, non-abrasive surface such as carpet or cardboard



Please keep children out of the assembly area before assembly

Note that hardware required is provided for every step

Letter of the part corresponds to a sticker on the product number of the hardware corresponds to its letter in the package

Assemble step by step with the instructions provided

WARNINGS:

-  This patio set was made for the explicit purpose of providing outdoor functions and is not to be used as a toy. This product is intended for normal outdoor use. However, the manufacturer recommends storing and / or covering this set when any formidable / severe weather is approaching. This product is NOT intended for commercial use and will void the warranty.
-  Do not locate this product near any heat source. Do not use this product as a support. Do not place heavy objects on the table. Do not shake, lean or climb on the product. Close supervision is necessary when this product is used by or near children, or disabled persons, if applicable. Use this furnishing only for its intended use as described in these instructions. Do not use attachments not recommended by the manufacturer.

MAINTENANCE:

Regularly check hardware and tighten if necessary

For best results, clean the chair with a damp cloth and dry thoroughly.

Do not clean with abrasive materials, bleach, or solvents.

Store the chair in a dry, sheltered place when not in use.

NOTE: The max load is 250 lbs (113kg) EACH chair.

PARTS LIST



A

x1
Left arm



B

x1
Right arm



C

x1
Seat



D

x1
Back



E

x1
Foot support



J

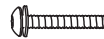
x1
Cushion

HARDWARE LIST



F

x8
Bolt M6 x 15mm



G

x4
Bolt M6 x 30mm



H

x2
Bolt M6 x 60mm

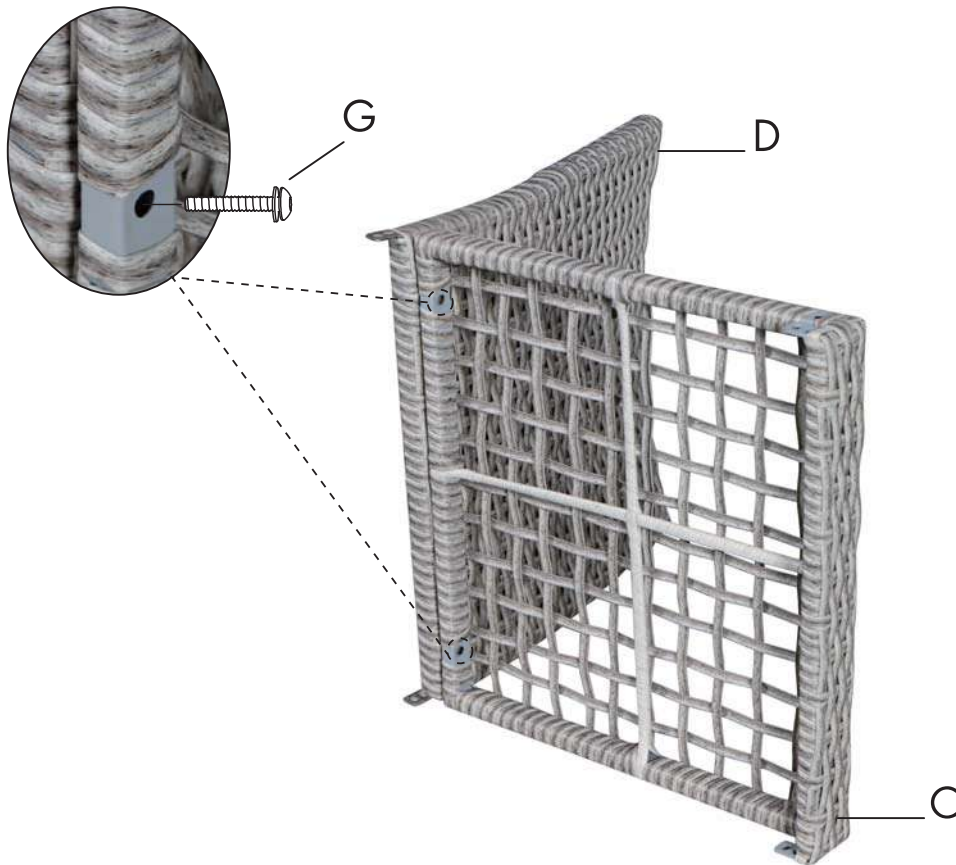
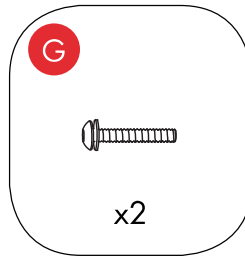
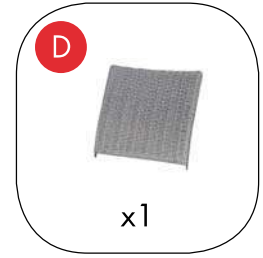
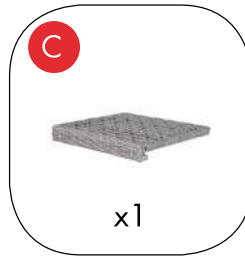


I

x1
Allen Key

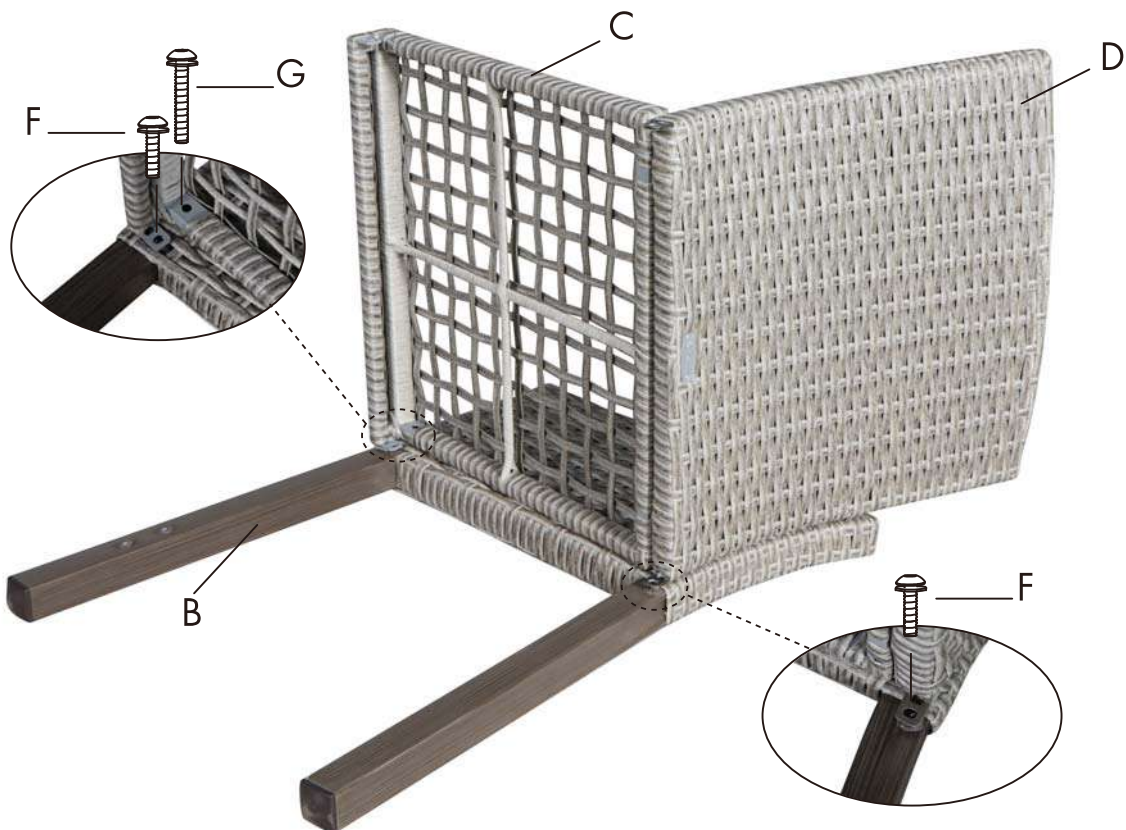
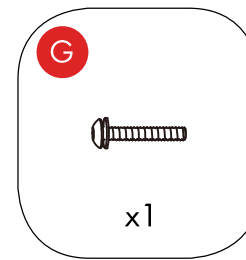
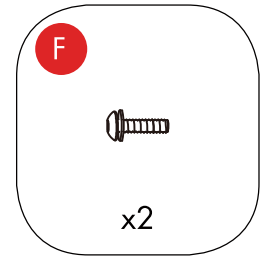
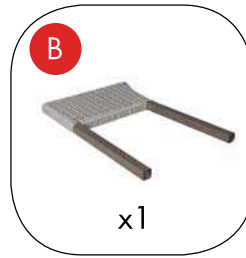
STEP 1

- Attach the seat (C) to the back (D) by using 2 bolts M6 x 30mm (G).
- Do not tighten bolts until all parts are connected.



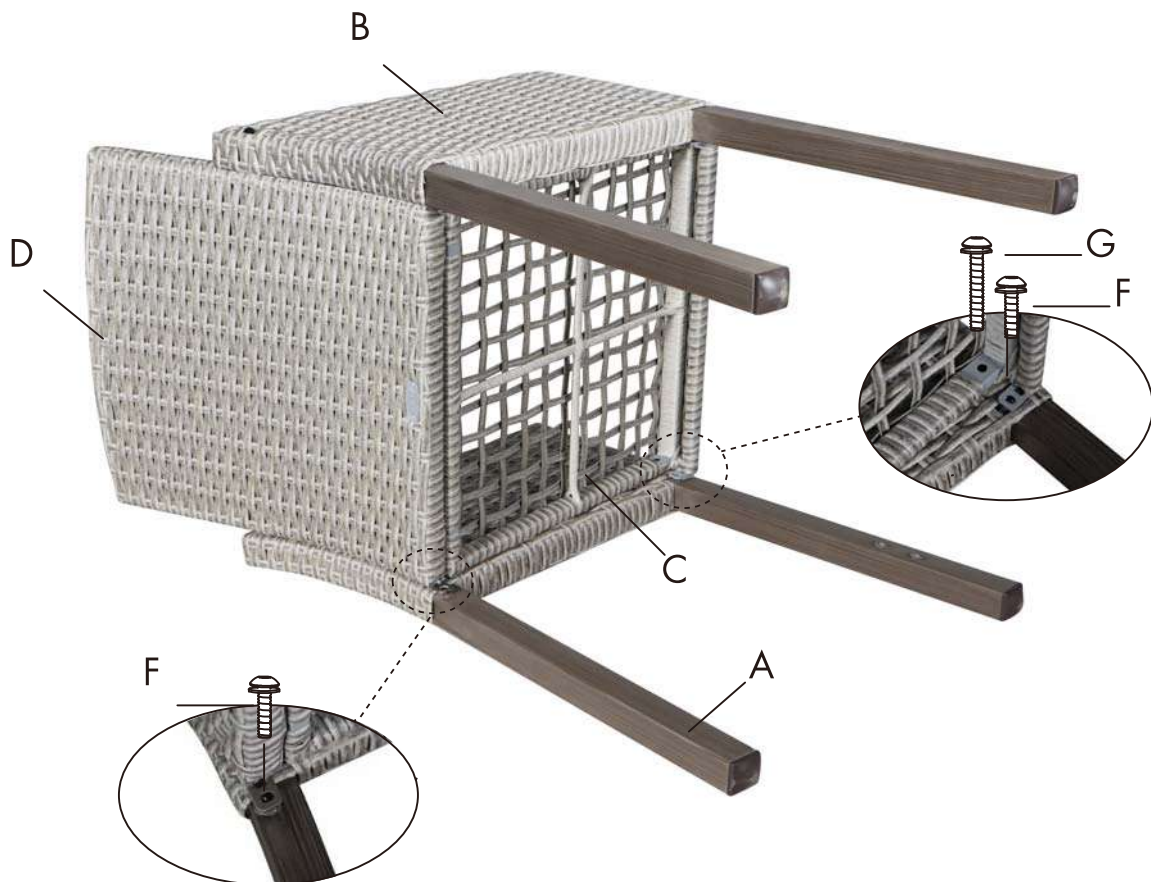
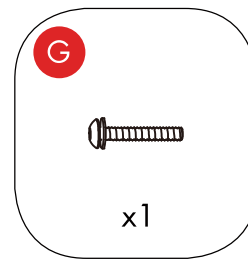
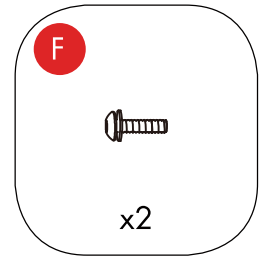
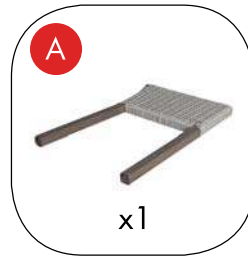
STEP 2

- Attach the right arm (B) to the seat (C) and back (D) by using 2 bolts M6 x 15mm (F) and 1 bolt M6 x 30mm (G).



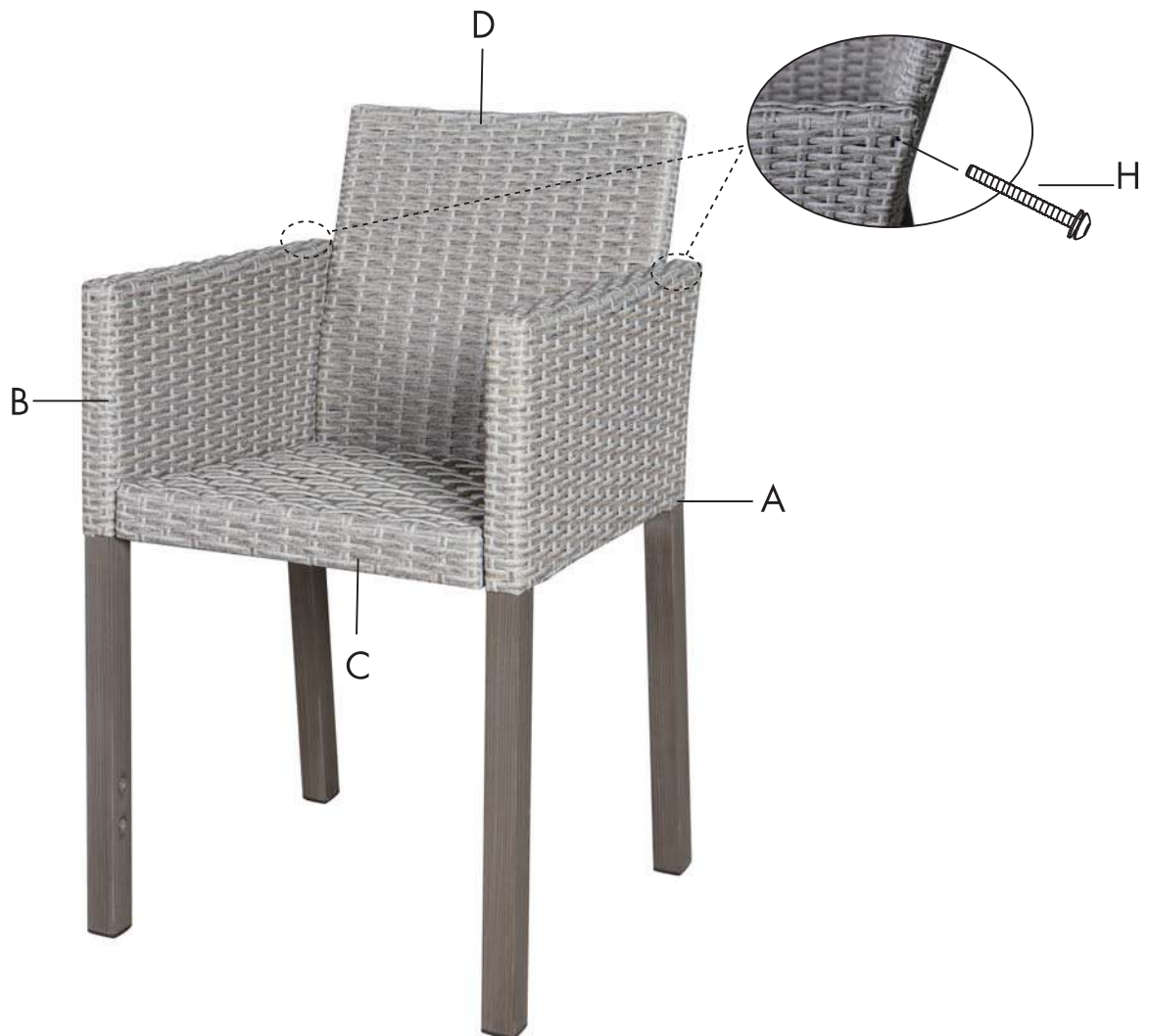
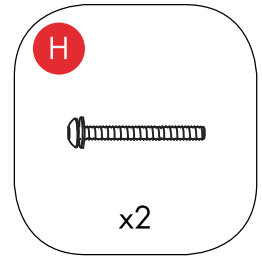
STEP 3

- Attach the left arm (A) to the seat (C) and back (D) by using 2 bolts M6 x 15mm (F) and 1 bolt M6 x 30mm (G).



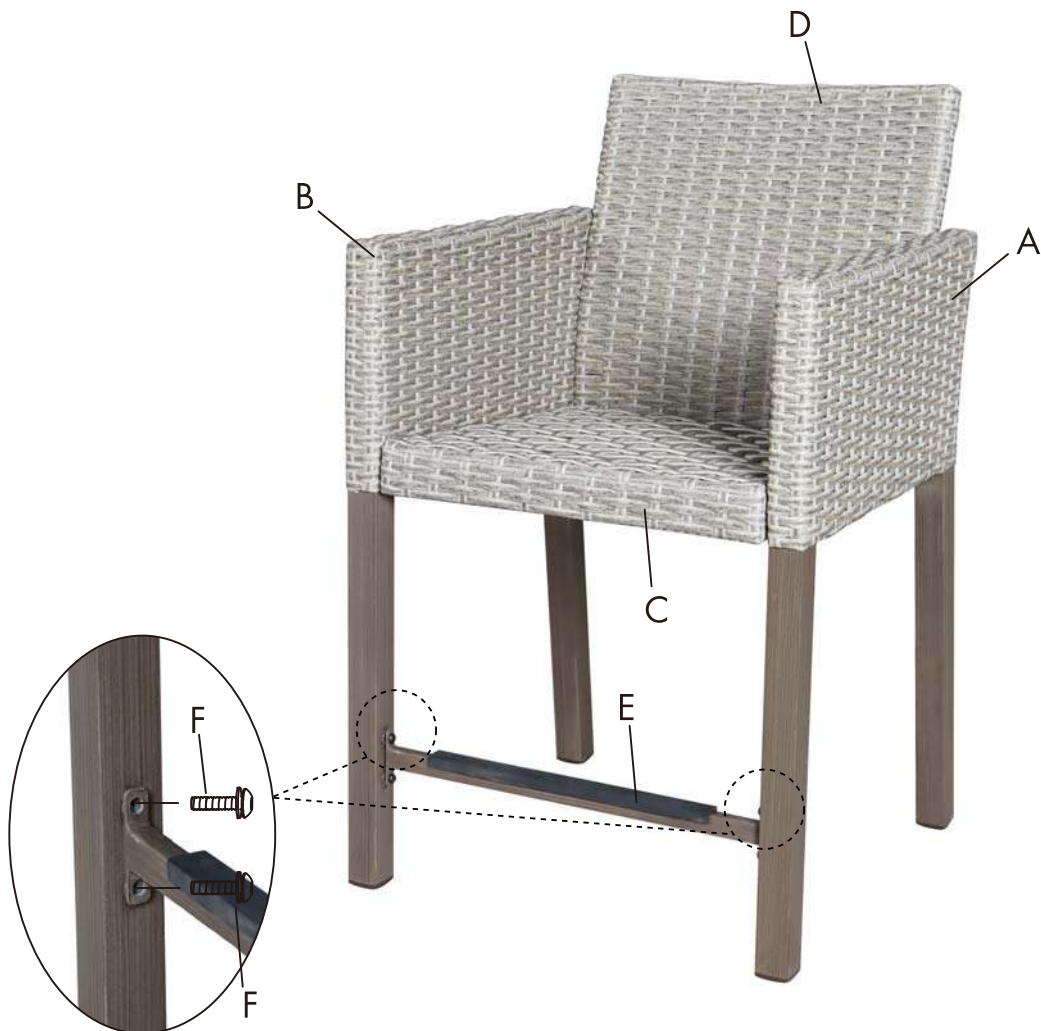
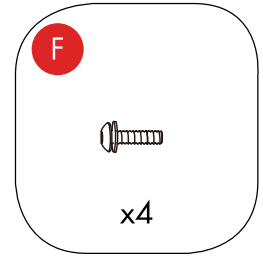
STEP 4

- Tighten the left arm (A) and right arm (B) to the back (D) by using 2 bolts M6 x 60mm (H).



STEP 5

- Attach the foot support (E) to the left arm (A) and right arm (B) by using 4 bolts M6 x 15mm (F).



STEP 6

- Fully tighten all bolts.
- Place the cushion on the chair.



WARRANTY

1 YEAR LIMITED WARRANTY

For a period of one (1) year after date of purchase, the Manufacturer will either repair or replace defective components in accordance with this Limited Warranty. This warranty is between the Manufacturer and the original purchaser and is valid only when accompanied by the original purchaser's sales receipt showing original date of purchase and location of purchase. Replacements under this warranty revert back to the date of original purchase for future warranty.

The Manufacturer or its authorized dealer can accept or reject warranty claims based on its findings. This warranty applies in normal residential use only and is not intended for commercial use. The Manufacturer can make substitutions as required of materials, components, and subcomponents of comparable value and utility. This warranty is limited to product repair or replacement (to be determined solely by the Manufacturer). Warranty return is limited to only the single affected component. It remains the customer's responsibility for freight and packaging charge to and from out service center.

This limited warranty covers only manufacturing defects and does not cover normal wear and tear, damage due to acts of nature (such as, but not limited to freezing or high winds), abuse or misuse, including chemical damage from suntan oil or other chemicals, exposure to extreme heat or cold, abrasion or excessive weight. This product is intended to be used in standard installations only.

Proper maintenance of your product is required to support the benefits of this warranty. This warranty is void if the product is not used for its intended purpose. The Manufacturer disclaims liability for any aspect of installation and any inconvenience caused by a defective part of a component. Certain items are not covered by this warranty. These include, but are not limited to the following:

1. Components subjected to abuse, including abuse intended to simulate failure.
2. Damages caused by retailer, shipper or installation crew (such as scratches, dents, tears, chips, etc.).
3. Any part which merely exhibits normal wear yet functions essentially as new, including chips, scratches or stretching of materials and stitching.
4. Tears, punctures, scratches or any damage caused by improper installation or use.
5. Damage to frames/welds resulting from improper assembly or exposure to water and/or sub-freezing temperatures is not covered. General frame rusting is not covered.
6. Fading and/or discoloration of fabrics/cushions/straps/wicker and mildew resulting from exposure to the elements, chemicals, oils, fluids or any other cause are not covered.
7. Items sold "as is" or floor models.

To make a claim, e-mail and/or call the toll-free number in this manual. Please have available a copy of the original sales receipt along with a brief description of the problem as well as photographs of the defect and/ or damage item(s) may required. Please also provide your email address and daytime telephone or cell phone number. Repairs or replacement will be made at the Manufacturer's option.

THIS IS THE ENTIRE EXCLUSIVE EXPRESS LIMITED LIABILITY. THE MANUFACTURER NEITHER MAKES NOR IS RESPONSIBLE FOR ANY OTHER WARRANTIES, EITHER EXPRESS OR IMPLIED, INCLUDING THOSE OF RETAILING DEALERS. THIS EXCLUSIVE REMEDY IS LIMITED TO RECEIPT OF A CREDIT IN CONNECTION WITH THE REPAIR OR REPLACEMENT OF ANY PRODUCT OR COMPONENT DEEMED TO BE DEFECTIVE UNDER THE TERMS AND CONDITIONS AS STATED IN THIS WARRANTY. NEITHER THE PRODUCT MANUFACTURER NOR ITS AGENTS SHALL BE LIABLE IN ANY CASE FOR INCIDENTAL, INDIRECT, SPECIAL OR CONSEQUENTIAL DAMAGES RESULTING FROM THE USE OF THIS PRODUCT OR ARISING OUT OF ANY BREACH OF THIS WARRANTY OR NEGLIGENCE EVEN IF IT HAS BEEN ADVISED OF THE POSSIBILITY OF SUCH DAMAGES. EXCEPT AS OTHERWISE MAY BE REQUIRED BY LAW, THERE ARE NO OTHER EXPRESS OR IMPLIED WARRANTIES OTHER THAN THE WARRANTY DESCRIBED HEREIN, AND ALL OTHER WARRANTIES, INCLUDING ANY IMPLIED WARRANTY OF MERCHANTABILITY OR FITNESS FOR A PARTICULAR PURPOSE ARE EXPRESSLY DISCLAIMED.