



ASSEMBLY INSTRUCTIONS

ITEM#: D201036610

SKU#: 810550289

BROYHILL FLOOR LAMP

Need help? We are here for you! 1(866)578.6569 24/7 • Toll Free

GENERAL BEST PRACTICES FOR ASSEMBLY:

- Please read and understand this entire manual before attempting to assemble or install the product.
- Before beginning assembly of product, make sure all parts are present. Compare parts with package contents list and hardware contents list. If any part is missing or damaged, do not attempt to assemble the product.
- Do not place the product on a damp or conductive subsurface.

WARNINGS:

- The manufacturer does not accept any responsibility for injuries or damage resulting from improper use of the product. If in doubt, consult a qualified electrician.
- Do not mix old and new batteries. Do not mix alkaline, standard (Carbon - Zinc), or rechargeable (Nickel - Cadmium) batteries. If you find any noise, excessive temperature or leakage from a battery, please discard. When not using the unit for a considerable period of time, disconnect the batteries from the unit for storage. If battery power is weak during use, switch off the device and dispose of batteries.
- Do not dispose of batteries in fire, batteries may explode or leak.

This device complies with part 15 of the FCC Rules. Operation is subject to the following two conditions: (1) This device may not cause harmful interference, and (2) this device must accept any interference received, including interference that many cause undesired operation.

Any Changes or modifications not expressly approved by the party responsible for compliance could void the user's authority to operate the equipment.

Note: This equipment has been tested and found to comply with the limits for a class B digital device, pursuant to part 15 of the FCC Rules. These limit are designed to provide reasonable protection against harmful interference in a residential installation. This equipment generates uses and can radiated radio frequency energy and, if not installed and used in accordance with the instructions, may cause harmful interference to radio communications. However, there is no guarantee that interference will not occur in a particular installation. If this equipment does cause harmful interference to radio or television reception, which can be determined by turning the equipment off and on, the user is encouraged to try to correct the interference by one or more of the following measures:

- Reorient or relocate the receiving antenna.
 - ncrease the separation between the equipment and receiver.
 - Connect the equipment into and outlet on a circuit different from that to which the receiver is connected.
 - Consult the dealer or an experienced radio/TV technician for help.
- The device has been evaluated to meet general RF exposure requirement. The device can be used in portable exposure condition without restriction.

WARRANTY:

WHAT IS COVERED?

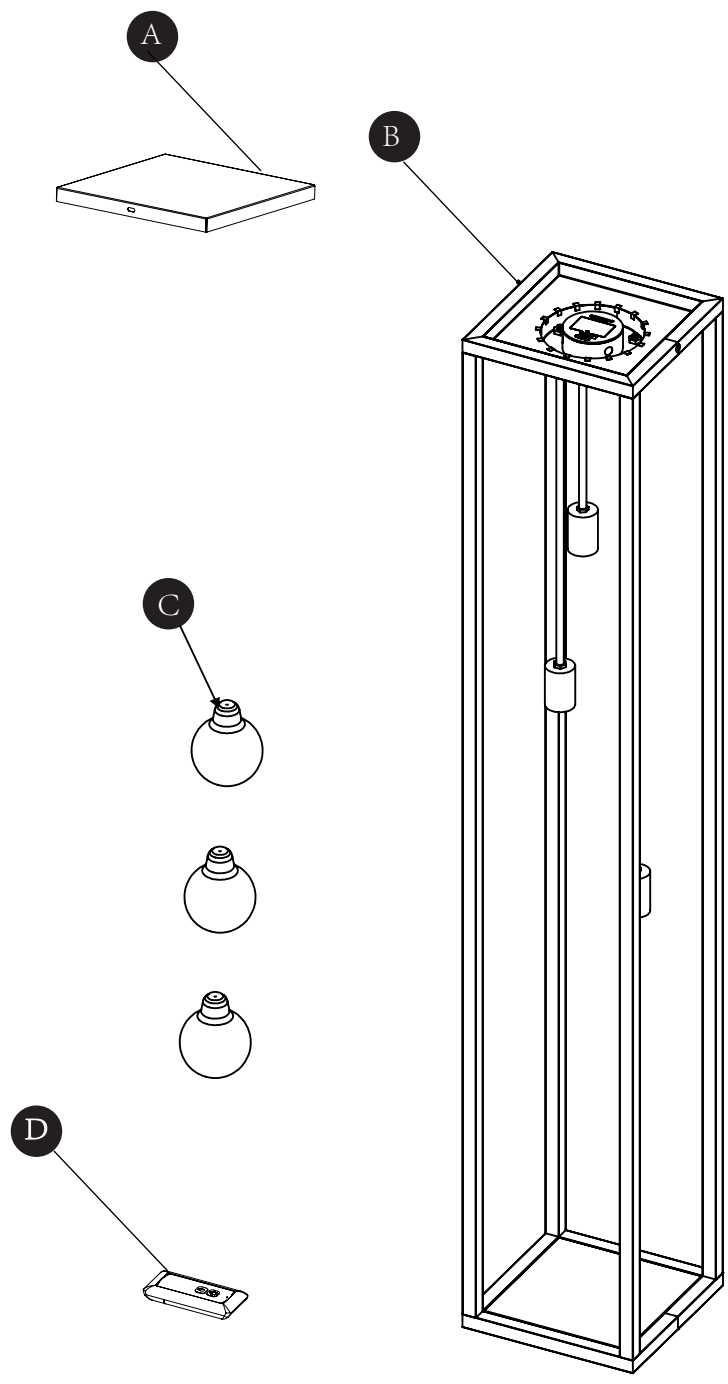
The limited warranty is extended to the original purchaser and applies to material and manufacturer's defect provided the item is maintained with care and used only for personal, residential purposes.

Warranty: 6 months



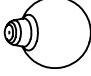
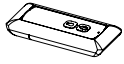
MAINTENANCE:

- Place 3 AA batteries into the battery case. Batteries not included.
- Maintenance/cleaning of the lights is limited to the surface exterior, using a dry cloth only.
- Steel components for this table are treated with rust inhibiting paint that protects it from rusting. However, due to the nature of steel, surface oxidation (rusting) will occur if these protective coatings are scratched. This is not a defect and thus not covered by the warranty.

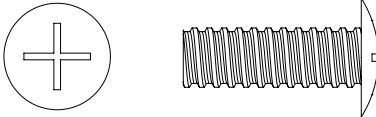
EXPLODED DRAWING



PARTS LIST

Label	Part Number	Description	Qty	Part Image
A	P00090018101	Cap	1	
B	P00500069301	Lamp	1	
C	P00760019401	Bulb	3	
D	P00760019501	Remote	1	

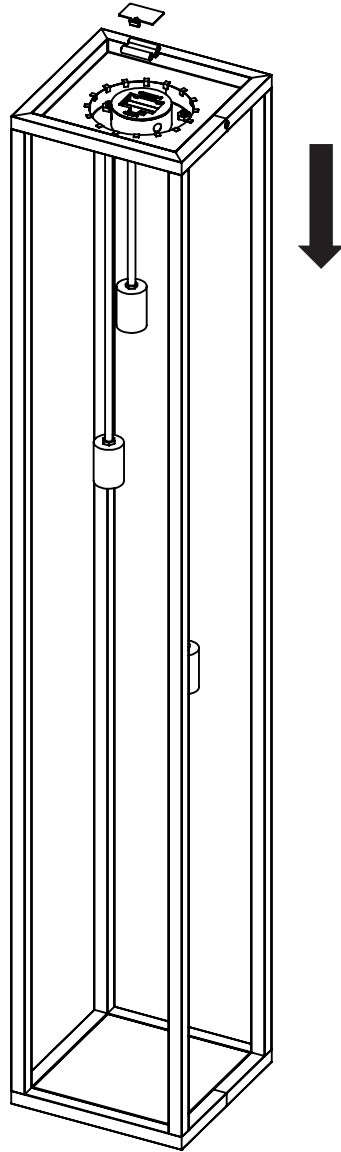
HARDWARE LIST

Label	Part Number	Description	Qty	Add	Part Image
H1	H010110007	Bolt M4*12	2	1	

How many people are needed for the installation

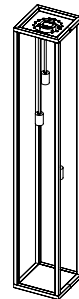


STEP 1

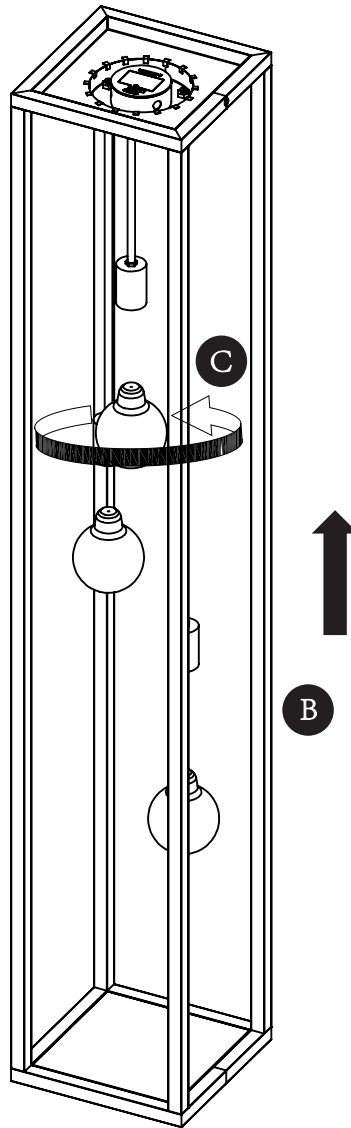
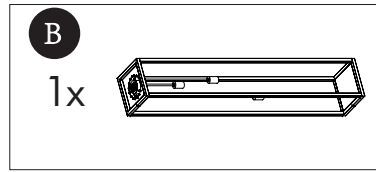
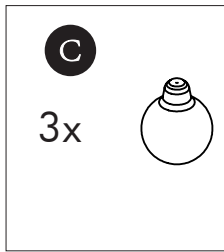


Take off the pre-assembled cap(A), Insert 3 AA batteries into battery case with correct polarity as indicated.

Assembled View:

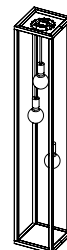


STEP 2

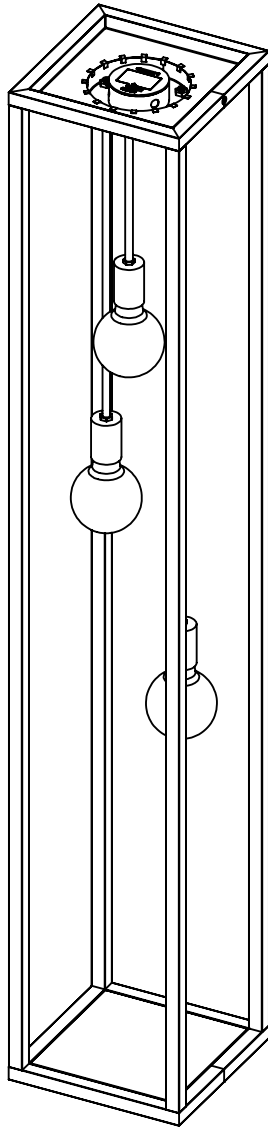
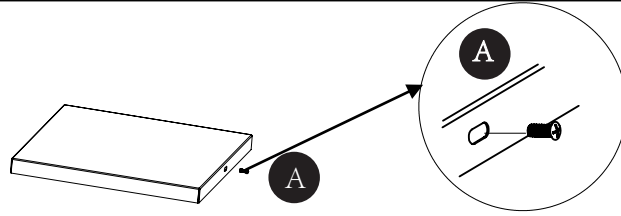
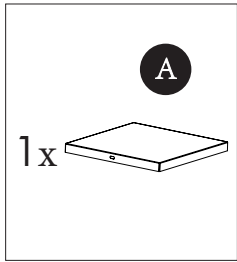


Screw three bulb(C) on the lamp holder

Assembled View:



STEP 3



B

Assembled Cap(A) on the lamp top
with Bolt(H1)

Assembled View:

