

SANDPOINTE



## **ASSEMBLY INSTRUCTIONS**

ITEM#: A208000306

SKU#: 810554376

---

# **SANDPOINTE RECTANGLE DINING TABLE**

---

Need help? We are here for you! 1(866)578.6569 24/7 · Toll Free

---

---

# GENERAL BEST PRACTICES FOR ASSEMBLY:

---

---

- Please read and understand this entire manual before attempting to assemble or install the product.
- Before beginning assembly of product, make sure all parts are present. Compare parts with package contents list and hardware contents list. If any part is missing or damaged, do not attempt to assemble the product.
- Do not place the product on a damp or conductive subsurface.

---

---

## WARNINGS:

---

---

- Standing on or misuse of this table may result in damage and injury. Read and follow mfg. assembly and use instructions. Not intended for commercial use.
- Keep all children and pets away from assembly area.
- Children and pets should be supervised when they are in the area of the table construction.
- Keep assembly area at least 6 feet from any obstruction such as a fence, garage, house, overhanging branches, laundry line or electrical wires.
- Check all bolts for tightness before use. IMPORTANT - check and tighten bolts often to keep them secure!

---

---

## WARRANTY:

---

---

### WHAT IS COVERED ?

The limited warranty is extended to the original purchaser and applies to material and manufacturer's defect provided the item is maintained with care and used only for personal, residential purposes.

Warranty: 12 months

---

---

## MAINTENANCE:

---

---

- Steel components for this table are treated with rust inhibiting paint that protects it from rusting. However, due to the nature of steel, surface oxidation (rusting) will occur if these protective coatings are scratched. This is not a defect and thus not covered by the warranty.
- Do not use bleach, acid, or other abrasive cleaners on the roof or frame parts.
- Keep instruction manual for future reference.
- Surface rust can also be easily removed with a very light application of regular cooking oil or WD-40. If surface oxidation (rusting) occurs and if no measure is taken to prevent this, the oxidation may start dripping onto deck or patio and caused damaging stains, which may be difficult to remove. This can be prevented if the above-mentioned measures are taken to keep the product from oxidizing.

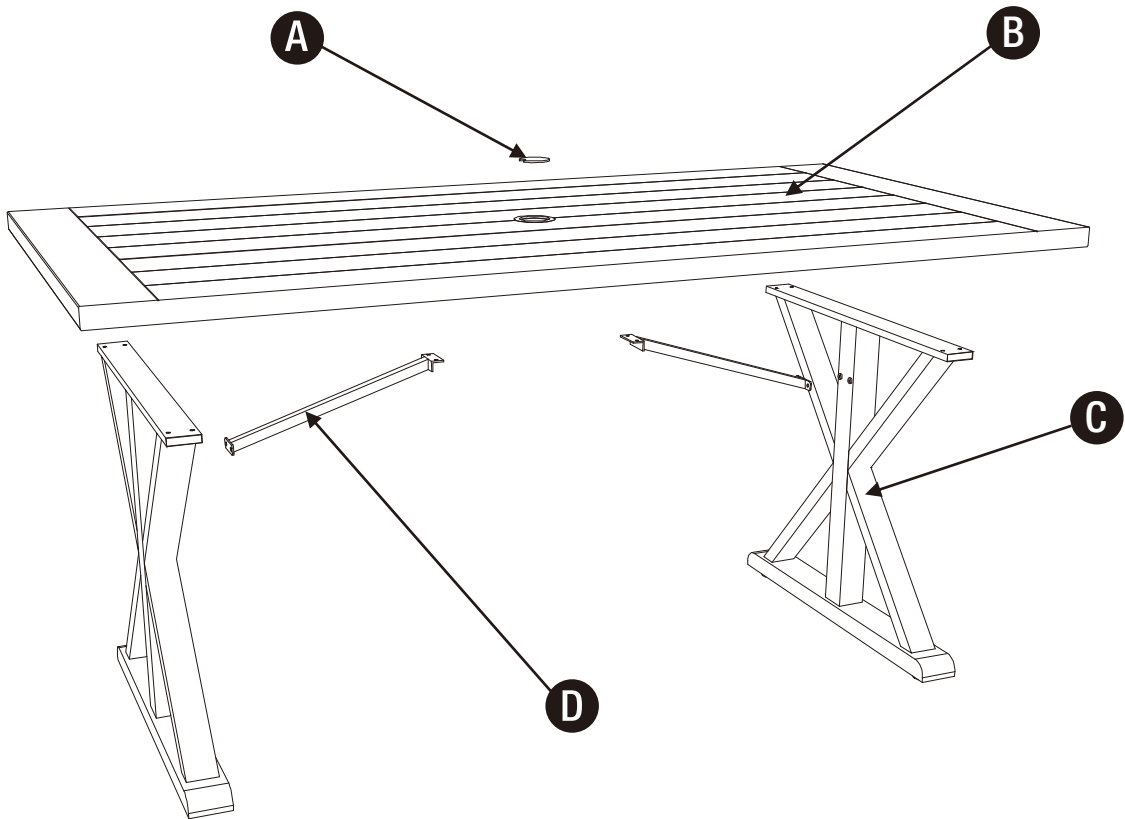
---

---



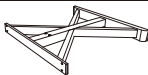

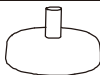
# EXPLODED DRAWING

---

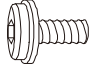
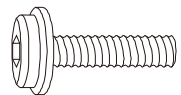

---



# PARTS LIST

Label	Part Number	Description	Qty	Part Image
A	P00650003802	Umbrella cap	1	
B	P00210042602	Table top	1	
C	P00540051901	Leg	2	
D	P00500054601	Connect bar	2	
E	P005300021	Foot pad Pre-assembled	4	

# HARDWARE LIST

Label	Part Number	Description	Qty	Add	Part Image
AA	H100010004	Bolt M6*15	8	1	
BB	H100010005	Bolt M8*30	8	1	
CC	H090030002	Allen Key M6	1	0	

---

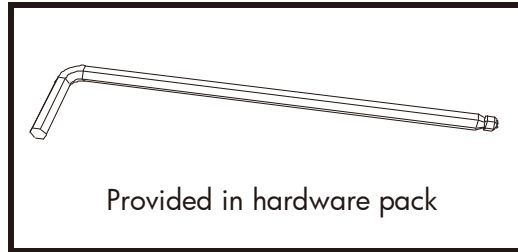
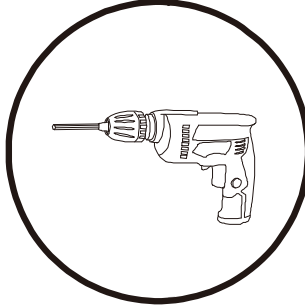
---

## HELPFUL HINTS

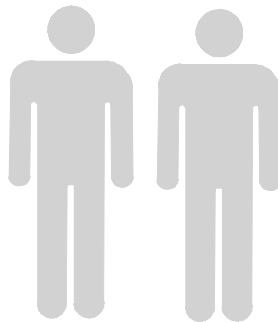
---

---

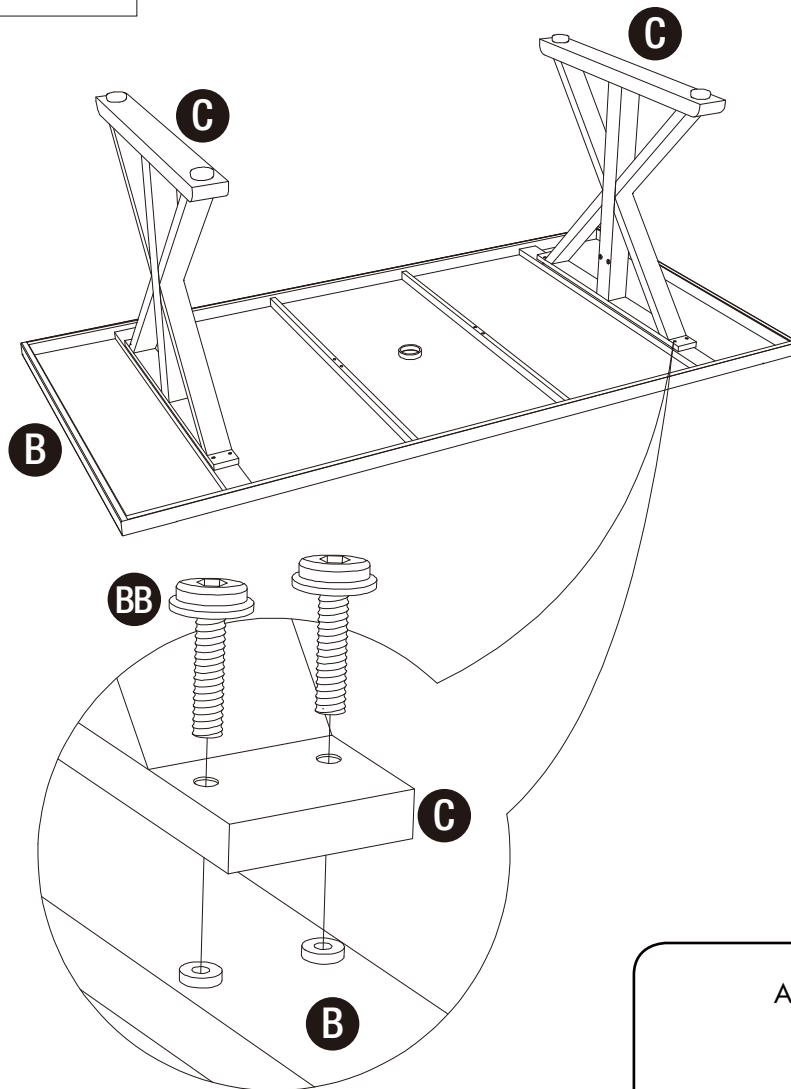
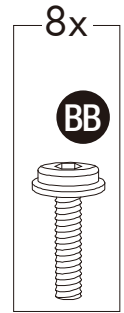
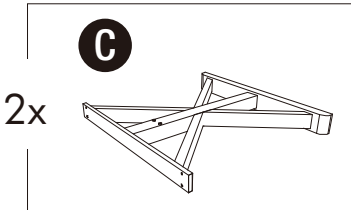
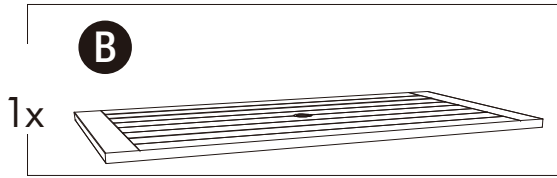
- Tools needed and not included
- Separating parts before starting



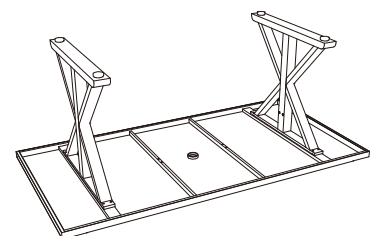
**How many people needed for the installation work**



# STEP 1

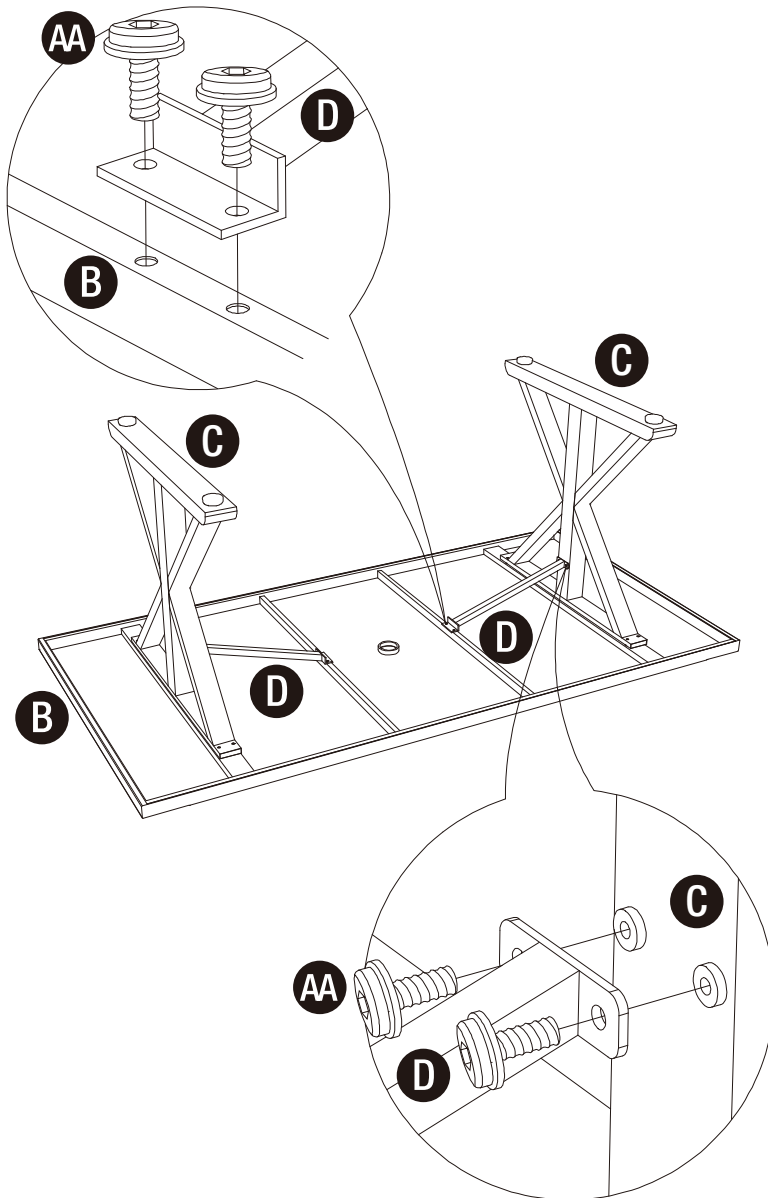
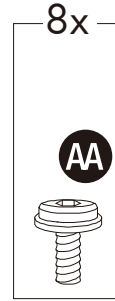
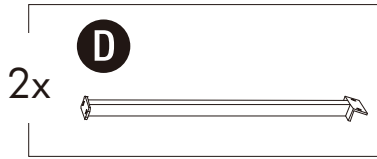


Assembled View:



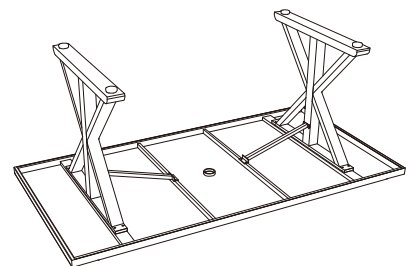
Attached Table top (B) to Leg(C) with Bolt(BB), tighten the Bolt(BB) to 80% depth with Wrench(CC).

# STEP 2

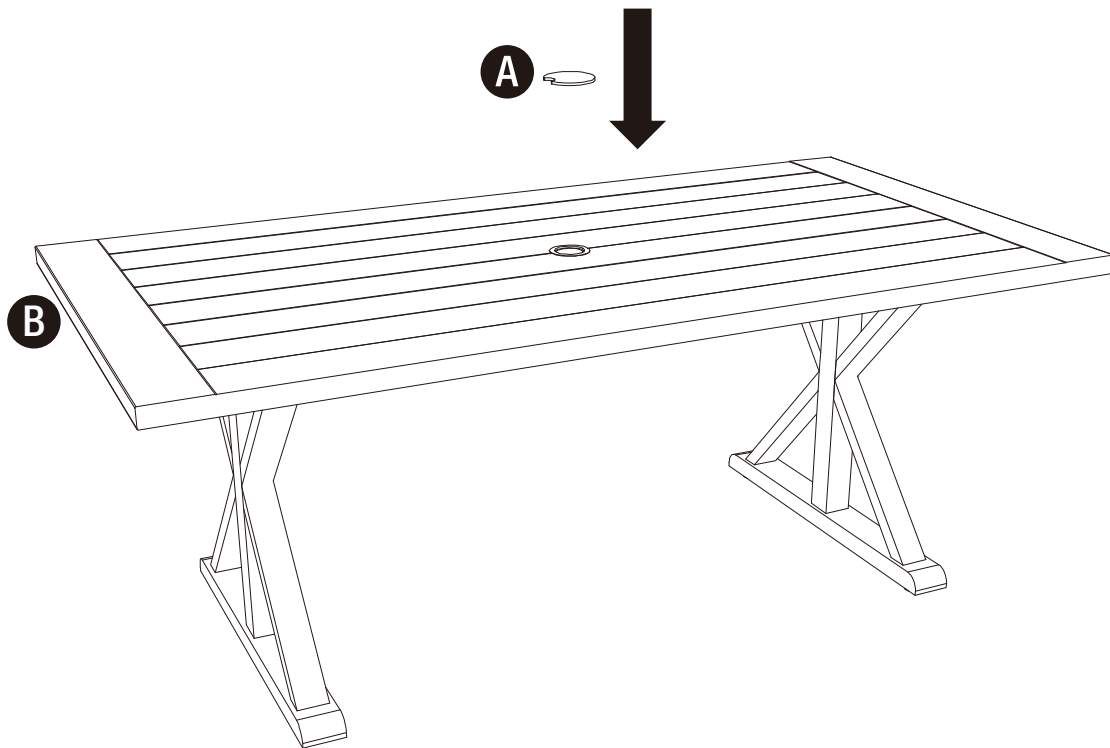
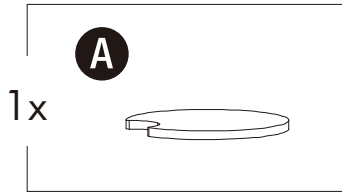


Attached Connect bar (D) and Table top(B) to Leg(C) with Bolt(AA), tighten all the Bolt to 100% depth with Wrench(CC) at last.

Assembled View:



# STEP 3



Put the Umbrella cap(A) on the Table top(B).

Assembled View:

