



**ROCKBRIDGE 5PC ALL WEATHER WICKER SET  
1 SOFA AND 2 OTTOMAN**

**ASSEMBLY INSTRUCTIONS**

ITEM# : GBO22-019-2 / GBO22-019-2NAVY / GBO22-019-2B

SKU# : 810544462 / 810555261 / 810555287

Need help? We are here for you! 1-888-733-8169 Toll Free

Or email us at [customerservice\\_01@yeah.net](mailto:customerservice_01@yeah.net), [customerservice\\_02@yeah.net](mailto:customerservice_02@yeah.net)

[customerservice\\_03@yeah.net](mailto:customerservice_03@yeah.net)

## GENERAL BEST PRACTICES FOR ASSEMBLY:

Read all instructions before starting

Clear a flat covered space to begin assembly

Always best to do it with a friend

Note that hardware required is provided for every step

Pay attention to orientation

Number of the hardware corresponds to its letter in the package

Helpful hints provided along the way

## WARNINGS:

**Use the correct screws as indicated. All screws should be hand tightened until the complete piece is assembled ( This will make the assembly process much easier ). Once the piece is fully assembled, then go back and tighten all screws with provided tool.**

Keep all children and pets away from assembly area. Children and pets should be supervised when they are in the area of the product construction.

Keep assembly area at least 6 feet from any obstruction such as a fence, garage, house, overhanging branches, laundry line or electrical wires.

Some parts may contain sharp edges. When assembling and using this product, basic safety precautions should always be followed to reduce the risk of personal injury and damage to the product. Please read all instructions before assembly and use.

The sofa and ottomans are not to be used for standing purposes and will not function as a stool or step-ladder. Use on even surfaces only.

**The sofa is used at weight of 600lb (270kg), the ottoman is used at weight of 250lb(113kg). Improper use of the products or failure to use as directed may result in injury. Not intended for commercial use.**

## MAINTENANCE

**STAIN RESISTANT CUSHIONS CARE — KEEP THE CUSHIONS IN STORAGE ON RAINY DAYS.**

**SPILLS:** Immediately wipe up the spill using a white damp cloth. Repeat process if necessary until stain is gone.  
Allow cushions to air dry.

**FABRIC CARE:** Hand wash cold, non-chlorine bleach when needed, lay flat to dry. Cool iron if necessary. Do not dry clean.

### ALL WEATHER WICKER PRODUCT CARE

Before using, clean the product completely with a soft dry towel. When not in use, wipe free of any dirt or loose objects, wash with a mild solution of soap and water, rinse thoroughly and dry completely. Do not use strong detergent or abrasive cleaners. Screws can be loosen over a peirod of usage, please check the screws occasionally and re-tighten if necessary.

## PARTS LIST



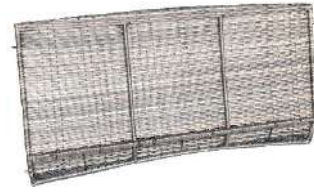
**A1**

1PC Left Arm



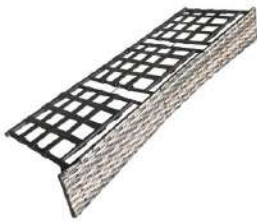
**A2**

1PC Right Arm



**B**

1PC Sofa back



**C**

1PC Seat Panel



**H**

3PC Seat Cushion



**I**

3PC Back Cushion

## HARDWARE LIST



**D**

12PC Washer



**E**

4PC Screw( $\phi$ 6x20mm)



**F**

8PC Screw( $\phi$ 6x32mm)

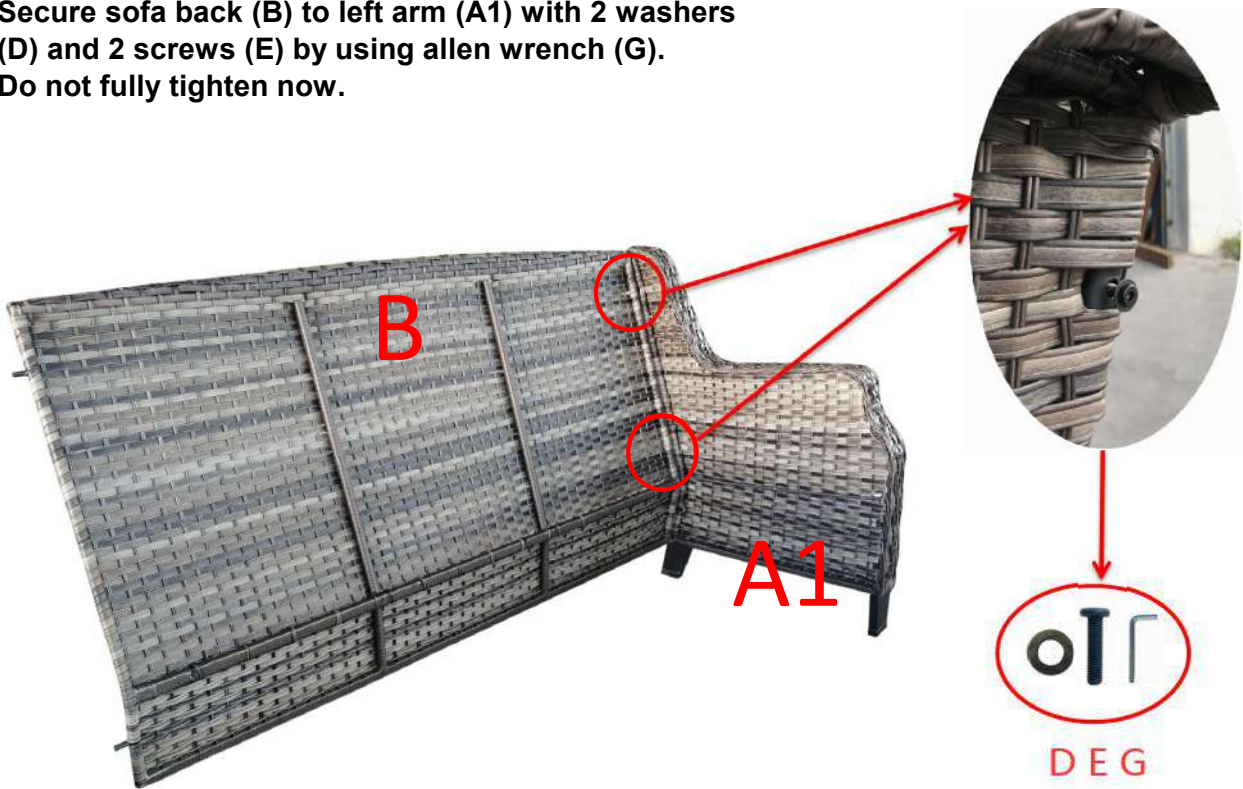


**G**

1PC Allen Wrench

## STEP 1

Secure sofa back (B) to left arm (A1) with 2 washers (D) and 2 screws (E) by using allen wrench (G). Do not fully tighten now.



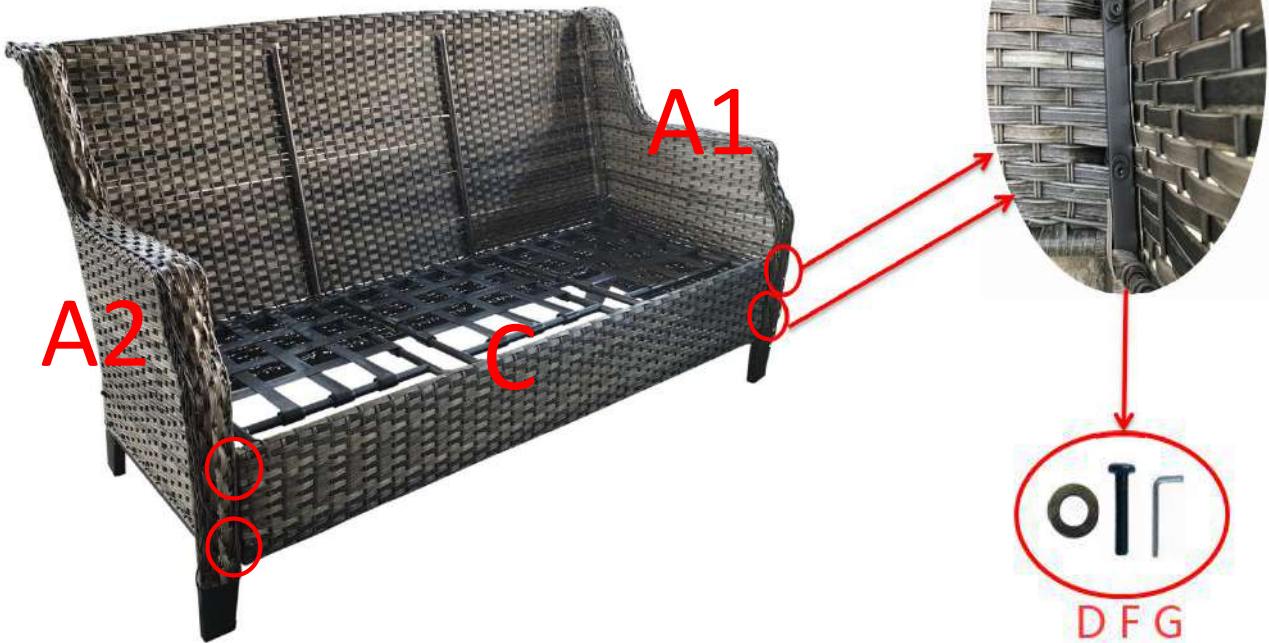
## STEP 2

Secure right arm (A2) to assembled sofa back (B) with 2 washers (D) and 2 screws (E) by using allen wrench (G). Do not fully tighten now.



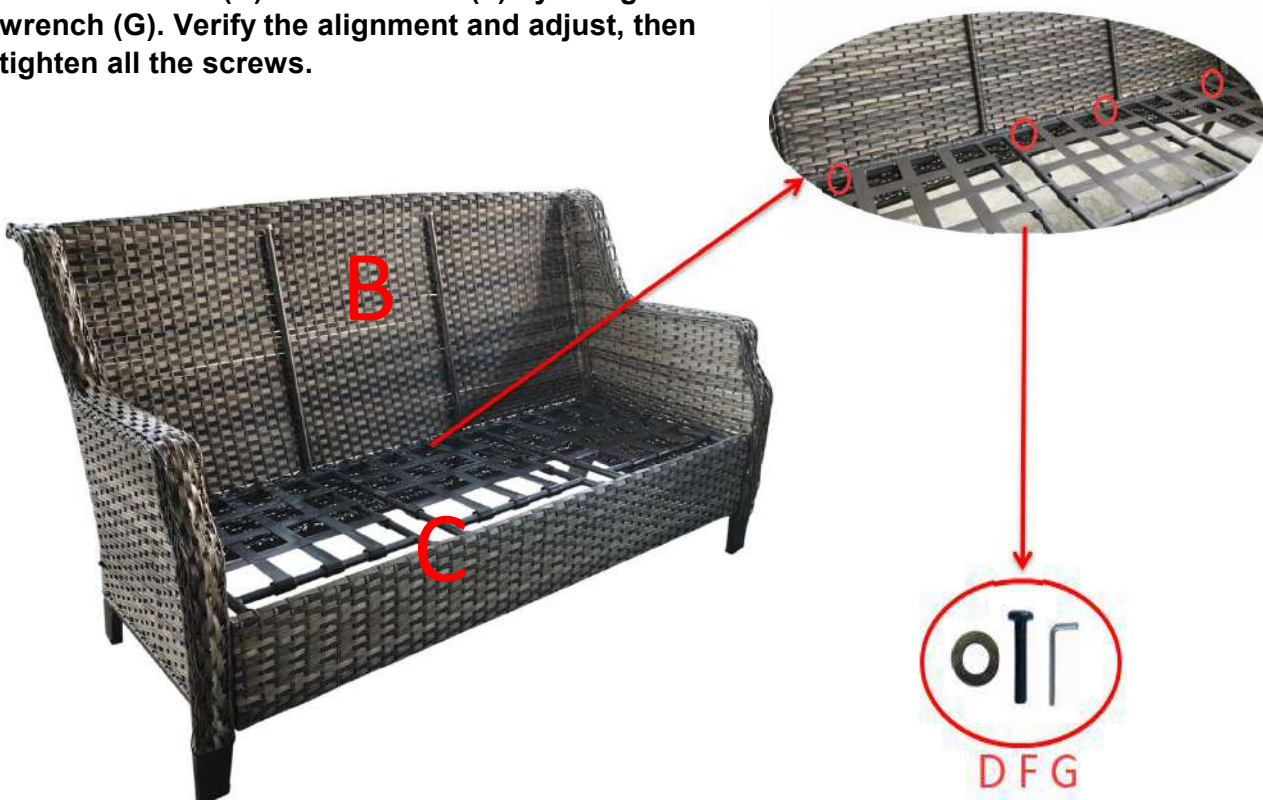
### STEP 3

Secure seat panel (C) to assembled sofa arms (A1, A2) with 4 washers (D) and 4 screws (F) by using allen wrench (G). Do not fully tighten now.



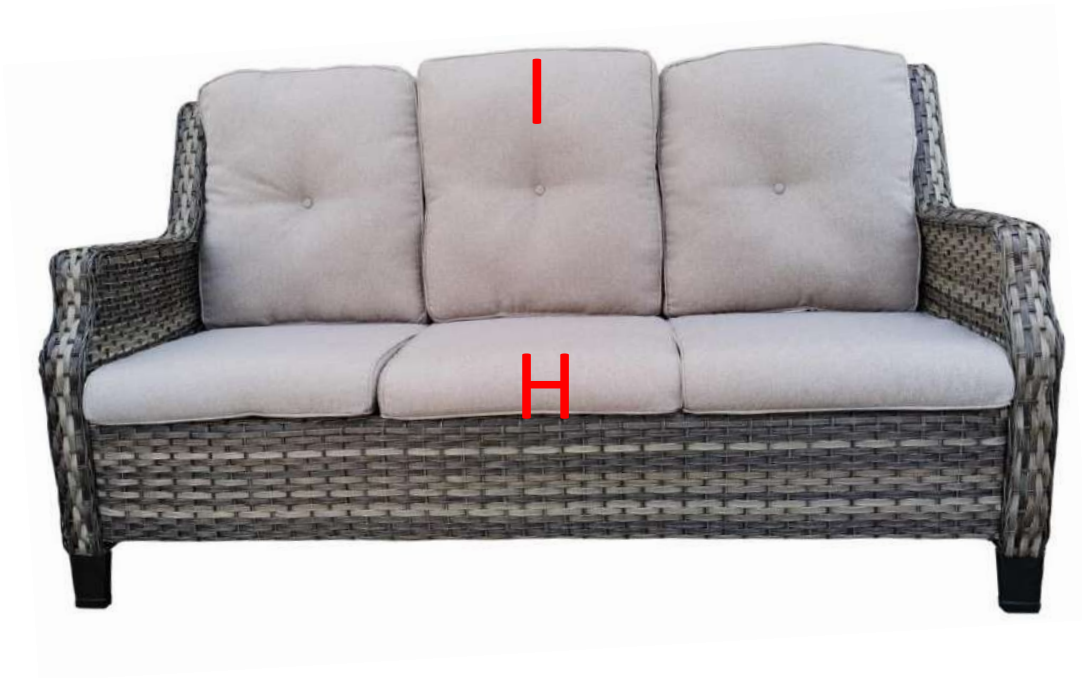
### STEP 4

Secure seat panel (C) to assembled sofa back (B) with 4 washers (D) and 4 screws (F) by using allen wrench (G). Verify the alignment and adjust, then tighten all the screws.

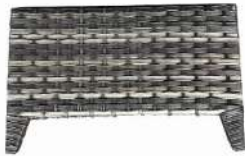


## STEP 5

Put seat cushions (H) and back cushions (I) on the sofa. The sofa is assembled.



# PARTS LIST



**J**

2PC Ottoman Leg



**K**

2PC Side Panel



**L**

1PC Ottoman Top



**M**

1PC Cushion

# HARDWARE LIST



**D**

12PC Washer



**N**

12PC Screw(φ6x30mm)

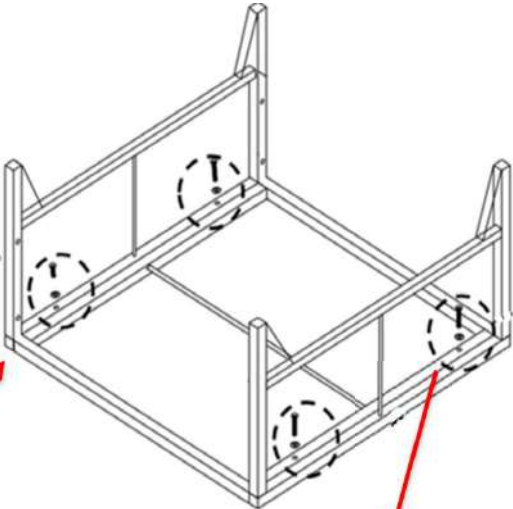
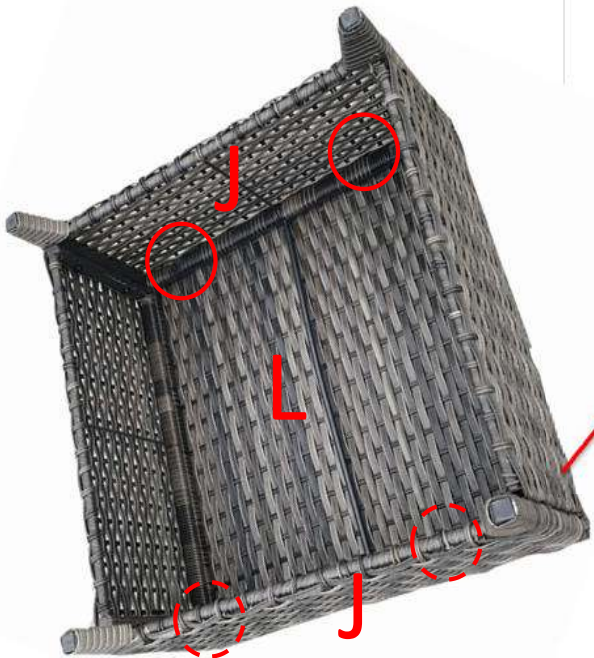


**G**

1PC Allen Wrench

# STEP 1

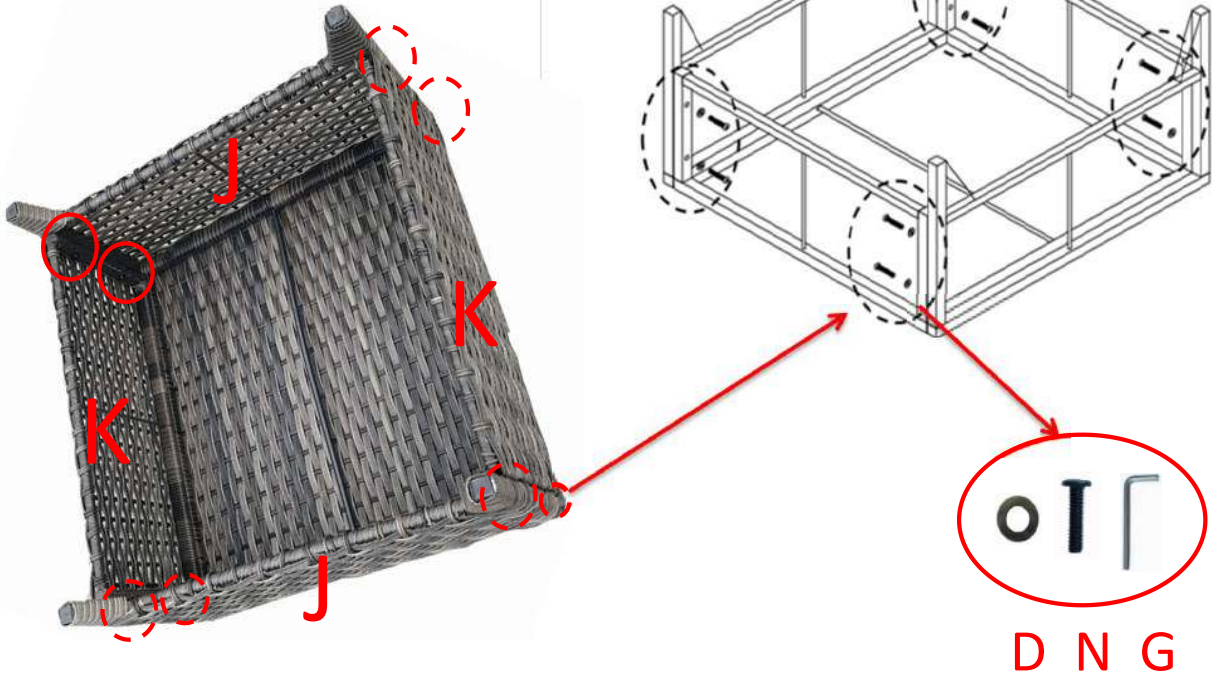
Attached 2 ottoman legs (J) to top (L) by using 4 screws (N) and 4 washers (D) with allen wrench (G). Do not fully tighten now.



**D N G**

## STEP 2

Attached 2 side panels (K) to 2 pcs ottoman legs (J) by using 8 screws (N) and 8 washers (D) with allen wrench (G). Do not fully tighten now.



## STEP 3

Place the ottoman upside down and fully tighten all screws after making sure it is stable. Then put cushion (M) on it. Finished!

