

 **real**
living™

13" 2 CUBE STORAGE

ASSEMBLY INSTRUCTIONS

ITEM# BG-102116

SKU# 810559083

Need help? We are here for you!
www.biglots.com/help/contact-us

GENERAL BEST PRACTICES FOR ASSEMBLY:

Read all instructions before starting
Clear a flat covered space to assemble
We recommend two people for assembly
Note that hardware required is provided for every step
Pay attention to orientation
Letter of the part corresponds to a sticker on the product
Number of the hardware corresponds to its number in the package
Helpful hints provided along the way

MAINTENANCE:

Regularly check hardware and tighten if necessary

CARE AND CLEANING:

Clean periodically by wiping the product with a soft clean cloth

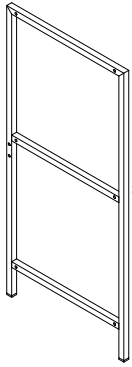
DO NOT use abrasive chemicals for cleaning

WARNINGS:

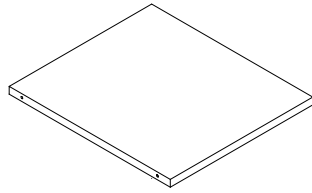
Do not tighten the screws until all of them are in place

DO NOT use power tools

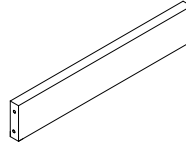
PARTS LIST



A
x2
Side Frame



B
x3
Shelf



C
x1
Back Panel

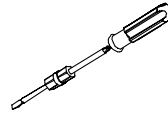
HARDWARE LIST



1
x4
Adjuster



2
x16
Phillips Screw



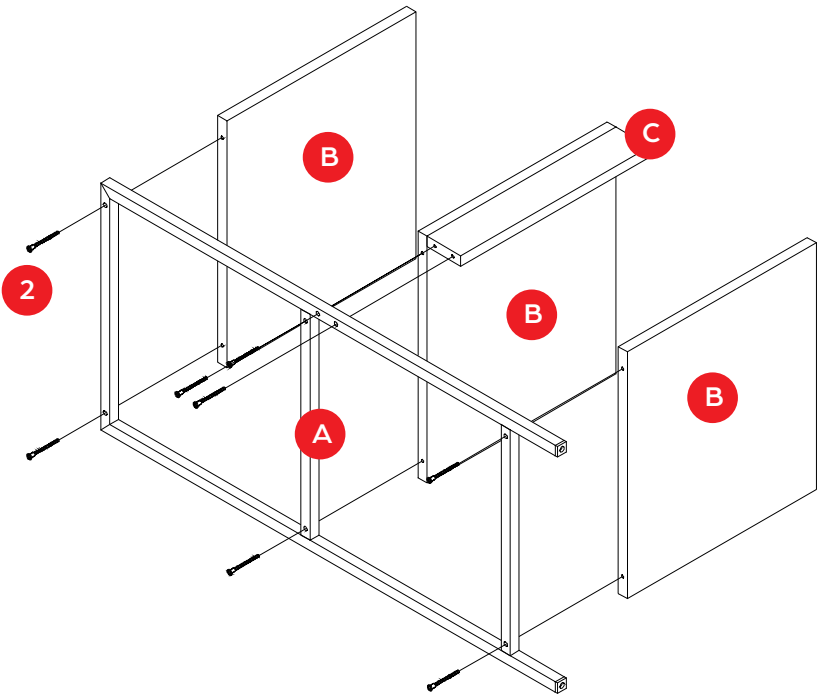
3
x1
Phillips head screw Driver

HELPFUL HINTS

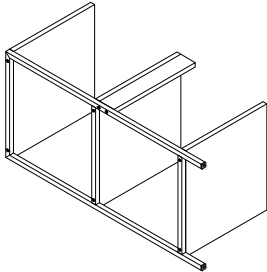
- Separate parts before starting

STEP 1

Attach Shelf (B) and Back Panel (C) to Side Frame (A) with Phillips Screws (2).

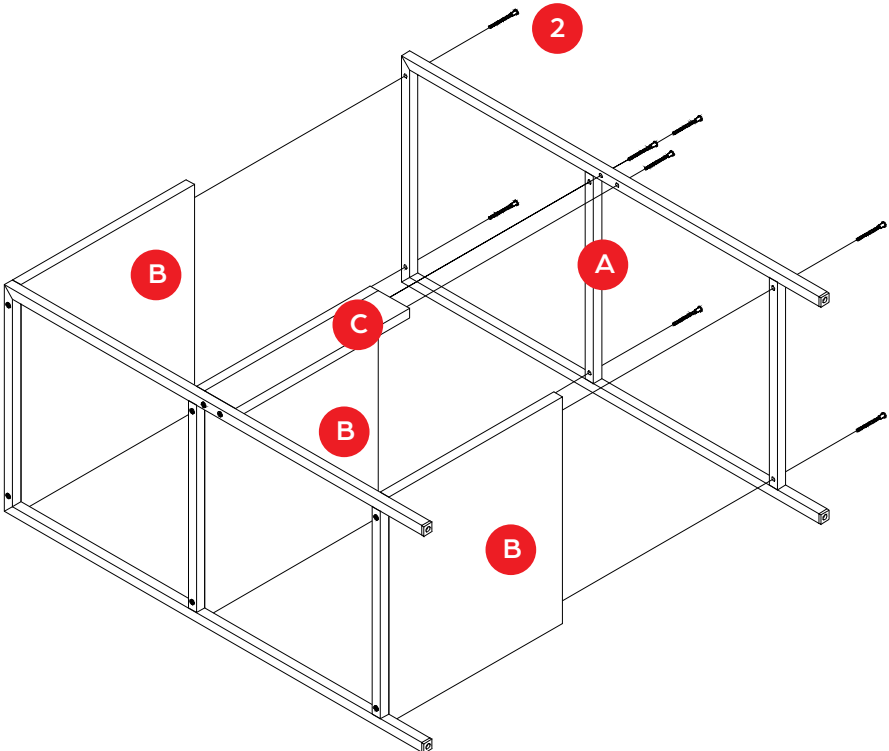


Assembled View:

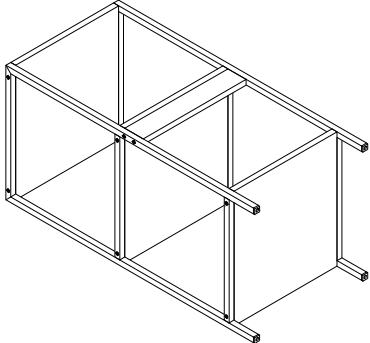


STEP 2

Attach Shelf (B) and Back Panel (C) to Side Frame (A) with Phillips Screws (2).

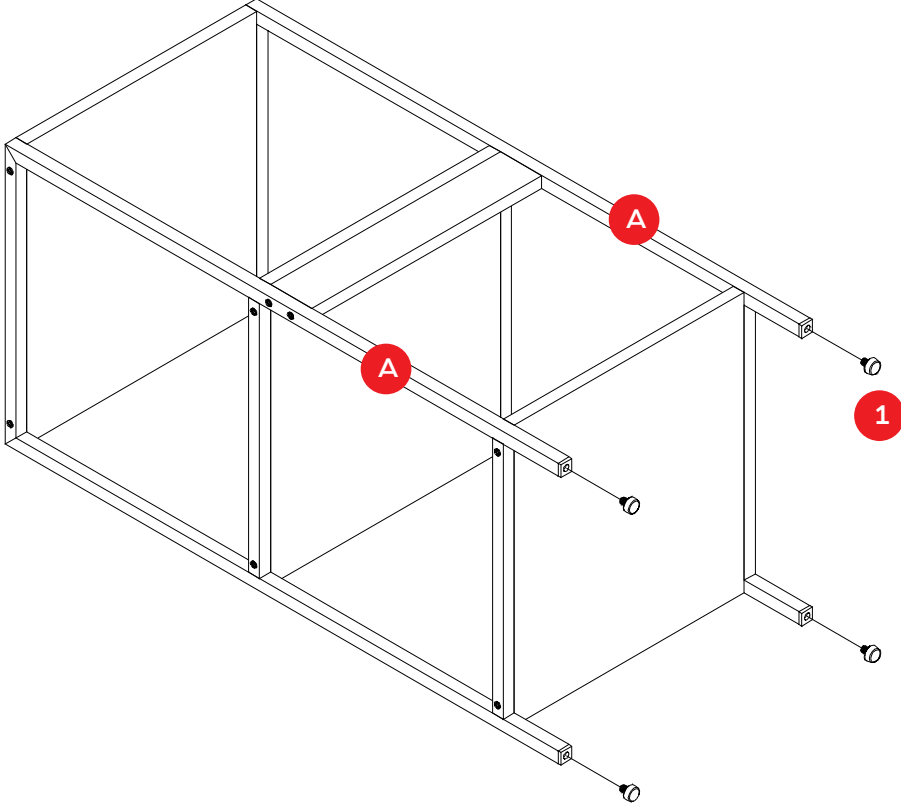
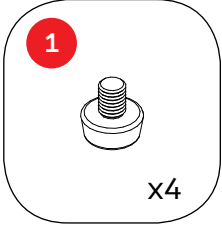


Assembled View:



STEP 3

Insert Adjuster (1) into Side Frame (A).



Assembly is now complete.

Assembled View:

