

## 4 SHELF BOOKCASE

ASSEMBLY INSTRUCTIONS

ITEM# BG-102110

SKU# 810559115

Need help? We are here for you!  
[www.biglots.com/help/contact-us](http://www.biglots.com/help/contact-us)

## **GENERAL BEST PRACTICES FOR ASSEMBLY:**

Read all instructions before starting  
Clear a flat covered space to assemble  
We recommend two people for assembly  
Note that hardware required is provided for every step  
Pay attention to orientation  
Letter of the part corresponds to a sticker on the product  
Number of the hardware corresponds to its number in the package  
Helpful hints provided along the way

## **MAINTENANCE:**

Regularly check hardware and tighten if necessary

## **CARE AND CLEANING:**

Clean periodically by wiping the product with a soft clean cloth

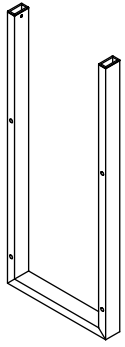
DO NOT use abrasive chemicals for cleaning

## **WARNINGS:**

Do not tighten the screws until all of them are in place

DO NOT use power tools

# PARTS LIST



**A**

x2

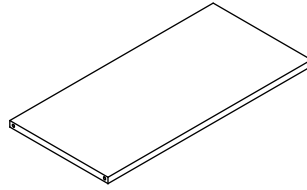
Bottom Side Frame



**B**

x4

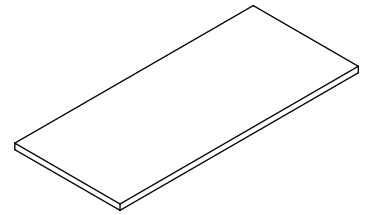
Upper Side Frame



**C**

x4

Shelf



**D**

x1

Top Shelf

# HARDWARE LIST



**1**

x16

Allen Bolt



**2**

x4

Phillips Screw



**3**

x4

Allen Bolt



**4**

x4

Adjuster



**5**

x16

Screw Cap



**6**

x1

Phillips Screw



**7**

x2

Washer



**8**

x1

Wall Strap



**9**

x1

Wall Plug



**10**

x1

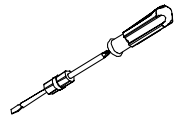
Phillips Screw



**11**

x1

Allen Wrench



**12**

x1

Phillips head screw Driver

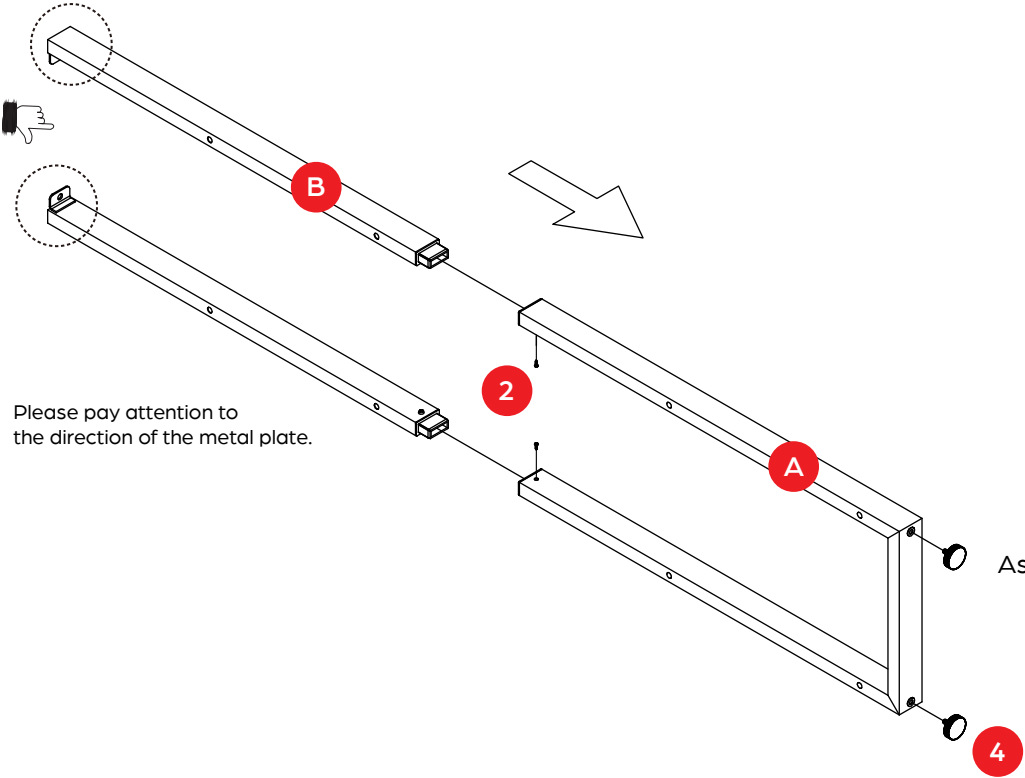
# HELPFUL HINTS

- Separate parts before starting

# STEP 1

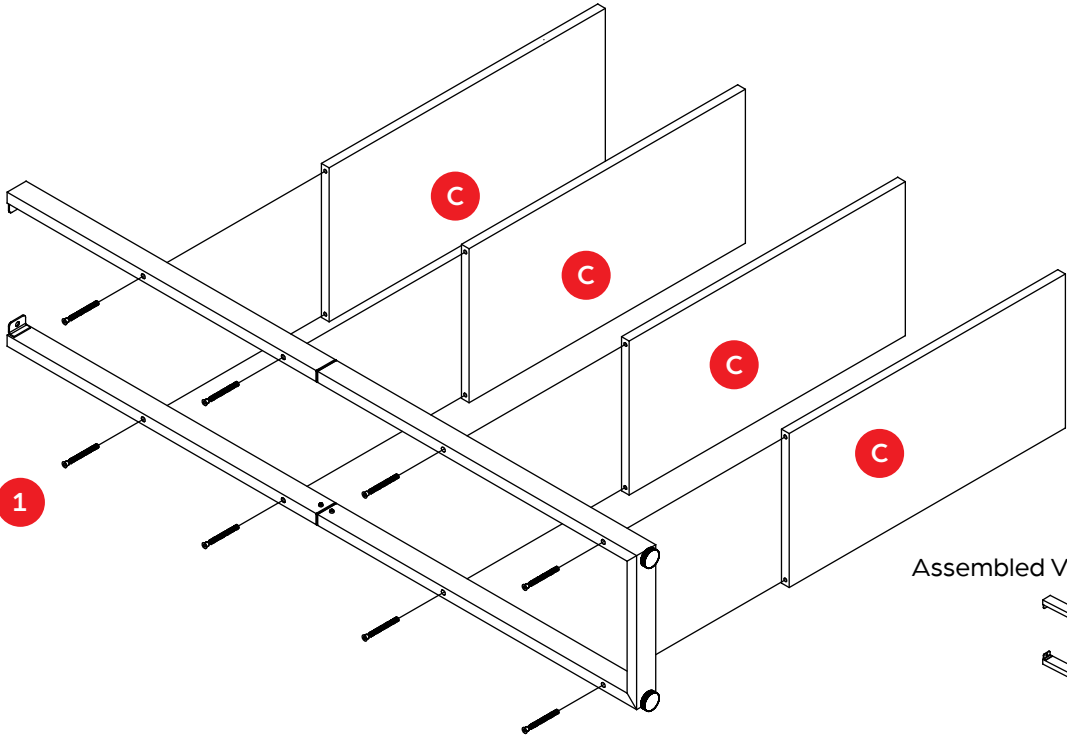
Insert Adjuster (4) into Bottom Side Frame (A).  
Attach Upper Side Frame (B) to Bottom Side Frame (A) with Phillips Screw (2). Fully tighten.

2PCS



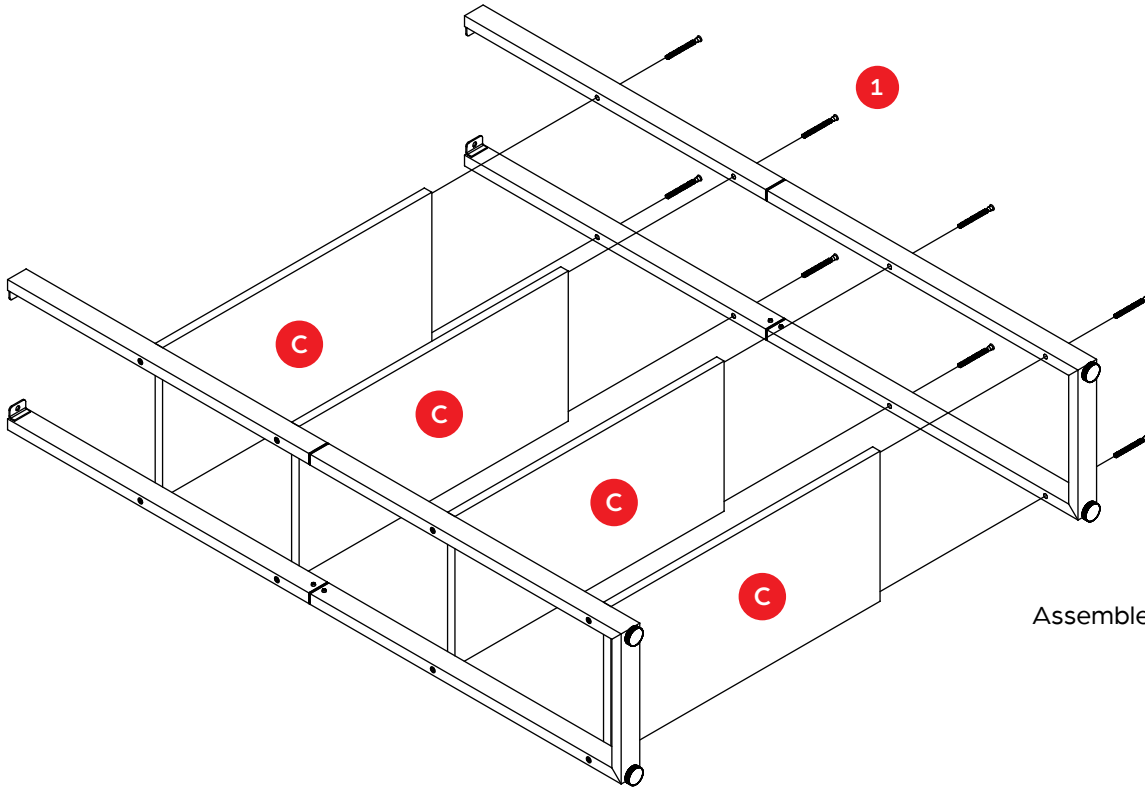
# STEP 2

Attach Shelf (C) to Side Frame assembled in Step 1 with Allen Bolt (1).

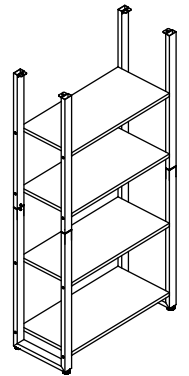


# STEP 3

Attach the other Side Frame assembled in Step 1 to Shelf (C) with Allen Bolt (1).

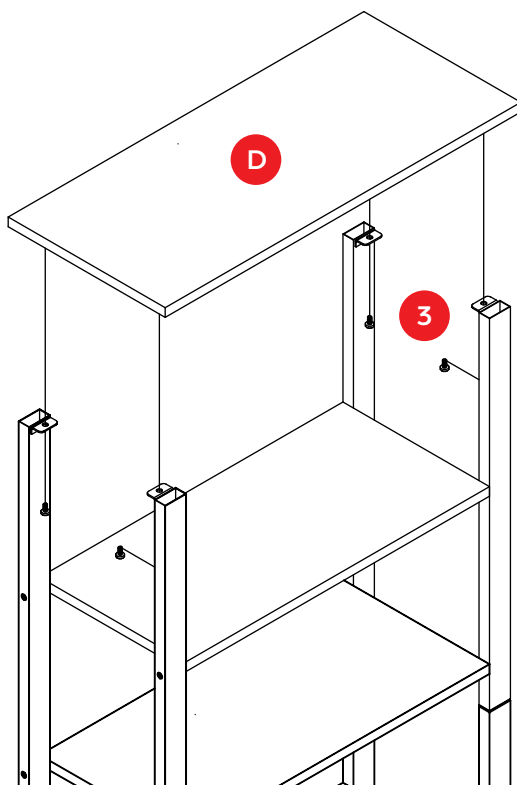


Assembled View:

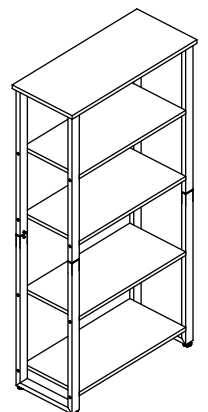


# STEP 4

Attach Top Shelf (D) to the Frame assembled in Step 3 with Allen Bolt (3). Fully tighten.



Assembled View:



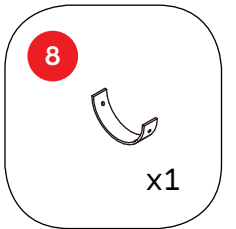
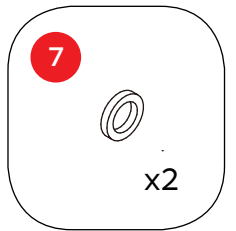
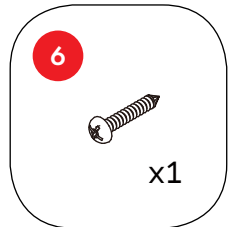
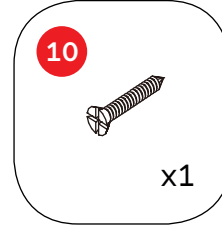
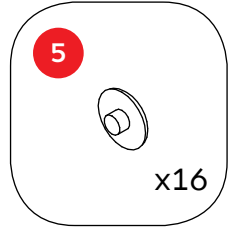
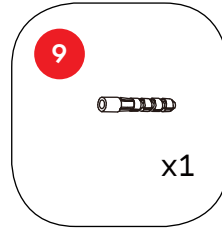
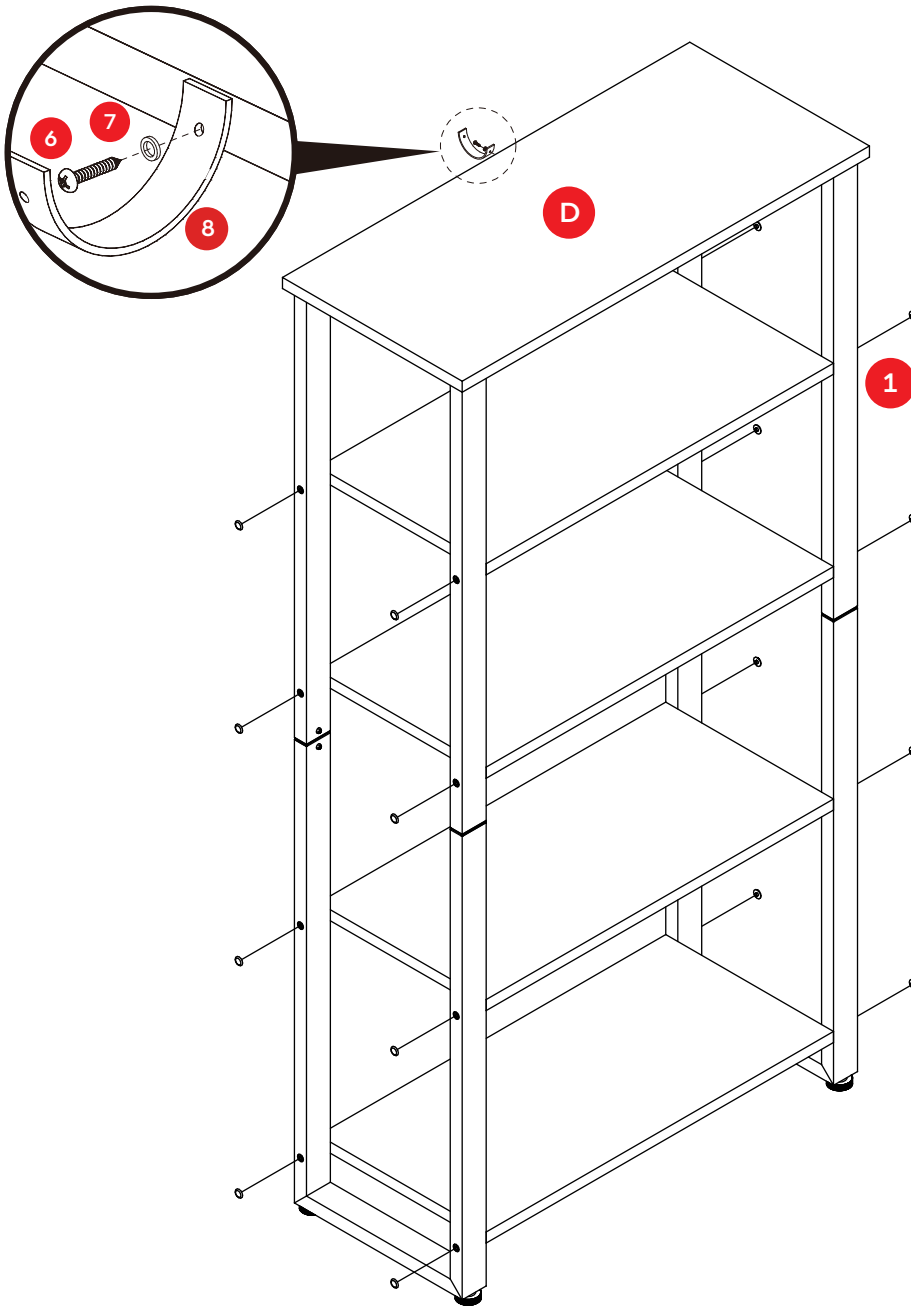
# STEP 5

Place Screw Cap (5) onto Allen Bolt (1) and firmly press into place.

To prevent serious injury or death, this product is equipped with a wall anchoring system. Before this product can be used, the wall anchoring system must be installed as directed in the assembly instructions.

Attach Wall Strap (8) to Top Shelf (D) with Phillips Screw (6) and Washer (7).

Place the bookcase in the desired position. Mark the wall just below the point where the Wall Strap (8) meets the wall. Remove the bookcase. Drill a hole at the marked location and insert Wall Plug (9). Place the bookcase back into position. Secure the bookcase to the Wall Plug (9) with Phillips Screw (10) and Washer (7). Fully tighten screw. Assembly is now complete.



Assembled View:

