

## **ASSEMBLY INSTRUCTION**

ITEM#: BL-TV-060-21A

SKU#:810566184

---

# **60 IN. PANETTERIE TV STAND**

---

### **Need help? We are here for you!**

- For missing hardware such as nuts & bolts, please contact BIG LOTS Customer Service at <https://www.biglots.com/help/contact-us>
- For issues with any wood parts, handles, etc. please email [Service@GrandArtFurniture.com](mailto:Service@GrandArtFurniture.com) . When emailing Grand Art you MUST include the following: your first and last name, shipping address, phone number, email address, item sku number (shown above), and part(s) letter you are requesting.

---

---

# GENERAL BEST PRACTICES FOR ASSEMBLY:

---

---

Determine you have adequate space for assembly.

Assembly by two adults is recommended.

Assemble on soft surfaces to prevent damage to product finish.

Keep children away during assembly. This item contains small parts which can be swallowed by children.

Do not discard any of packaging until you have checked that you have all parts and hardware.

Retain the assembly instructions for future reference.

The manufacturer will not accept responsibility for unauthorized repairs or modifications to this product.

This product is for residential use only, not for commercial use.

A Phillips head screwdriver is necessary for assembly but is not included.

---

---

## WARNINGS:

---

---

Should this product become damaged, and/or components are broken or missing,  
DO NOT USE.

This product will burn if left in contact with flame source.

To prevent serious injury or death, this product is equipped with a wall anchoring system. Before this product can be used, the wall anchoring system must be installed as directed in the assembly instructions.

WARNING: Changes or modifications not expressly approved by the party responsible for compliance could void the user's authority to operate the equipment.

WARNING - Death or serious injury may occur when children climb on audio and/or video equipment furniture. A remote control or toys placed on the furnishing may encourage a child to climb on the furnishing and as a result the furnishing may tip over on to the child.

WARNING - Relocating audio and/or video equipment to furniture not specifically designed to support audio and/or video equipment may result in death or serious injury due to the furnishing collapsing or over turning onto a child.

---

---

## MAINTENANCE:

---

---

Wipe with a damp cloth. Use Furniture polish or lemon oil on the wood as needed.

Avoid prolonged exposure to moisture.

Do not scratch or chip the finish.

Do not put hot objects which are more than 80 degrees Fahrenheit directly on the surface.

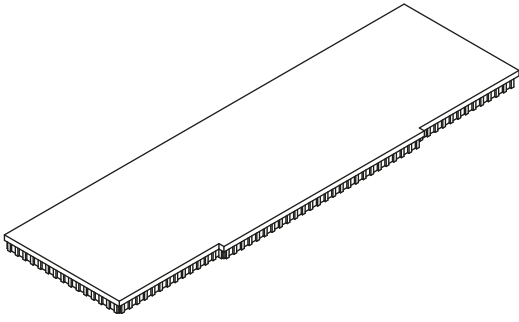
Check bolts/screws periodically and tighten if necessary.

To prolong the life of product we recommend storage in a dry area when not in use or during austere weather conditions.

---

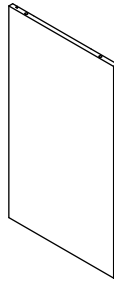
---

# PARTS LIST



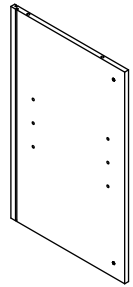
**A**

Top Panel  
x 1 pc



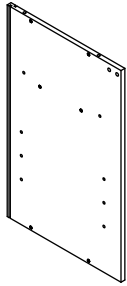
**B**

Left Side Panel  
x 1 pc



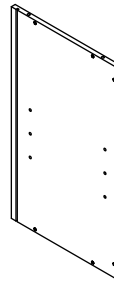
**C**

Left Middle Panel  
x 1 pc



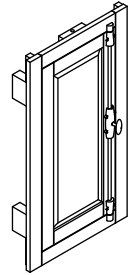
**D**

Right Middle Panel  
x 1 pc



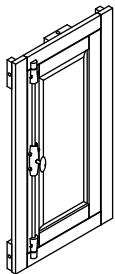
**E**

Right Side Panel  
x 1 pc



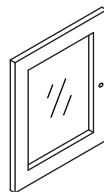
**F**

Left Door  
x 1 pc



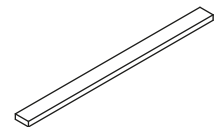
**G**

Right Door  
x 1 pc



**H**

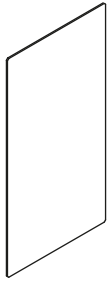
Middle Door  
x 2 pcs



**I**

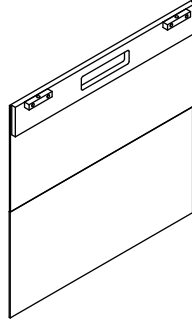
Center Crossbar  
x 1 pc

# PARTS LIST



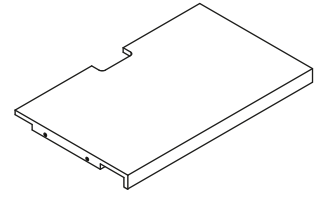
**J**

Side Back Panel  
x 2 pcs



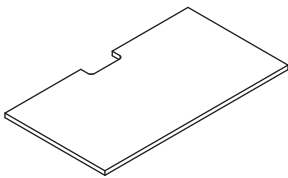
**K**

Center Back Panel  
x 1 pc



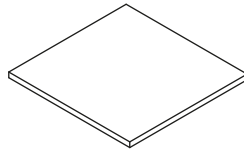
**L**

Center Middle Panel  
x 1 pc



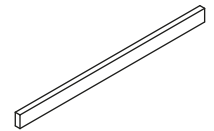
**M**

Center Adjustable Shelf  
x 1 pc



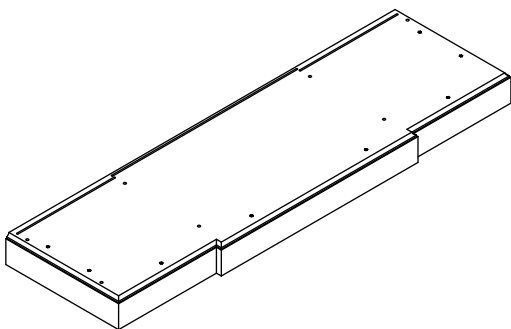
**N**

Adjustable shelves  
x 2 pcs



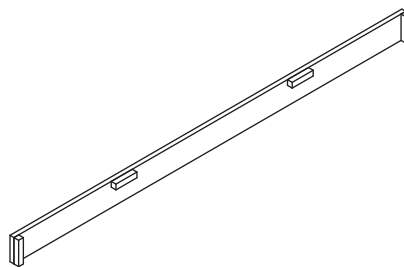
**O**

Bottom Crossbar  
x 1 pc



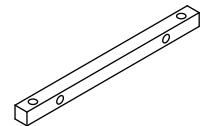
**P**

Bottom Panel  
x 1 pc



**Q**

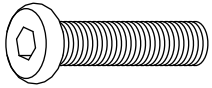
Back Crossbar  
x 1 pc



**R**

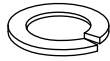
Connect Wood  
x 8 pcs

# HARDWARE LIST



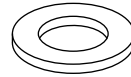
1

Allen Bolt x 56 pcs  
Ø1/4"\*32mm



2

Spring Washer x 56 pcs  
Ø1/4"



3

Flat Washer x 60 pcs  
Ø1/4"



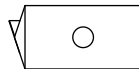
4

Allen Key x 1 pc  
4mm



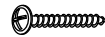
5

Wood Dowel x 28 pcs  
Ø8\*30mmL



6

Plastic Block x 8 pcs  
30\*14\*8mm



7

Screw x 8 pcs  
Ø7\*19mmL



8

Hinge x 4 pcs



9

Hinge Screw x 24 pcs  
Ø7\*16mmL



10

Knob Bolt x 2 pcs  
Ø5/32\*25mmL



11

Knob x 2 pcs



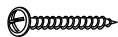
12

Shelf Pin x 12 pcs



13

Flat Head Screw x 4 pcs  
Ø7\*16mmL



14

Screw x 3 pcs  
Ø8\*25mmL



15

Anti-Tipping Strip x 2 pcs  
25\*230mmL



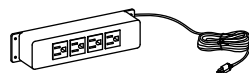
16

Wall Anchor x2 pcs  
Ø8.5\*30mmL



17

Screw x 4 pcs  
Ø8\*28mmL



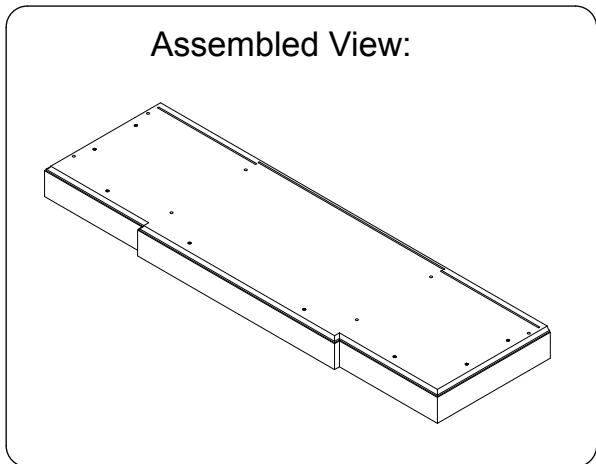
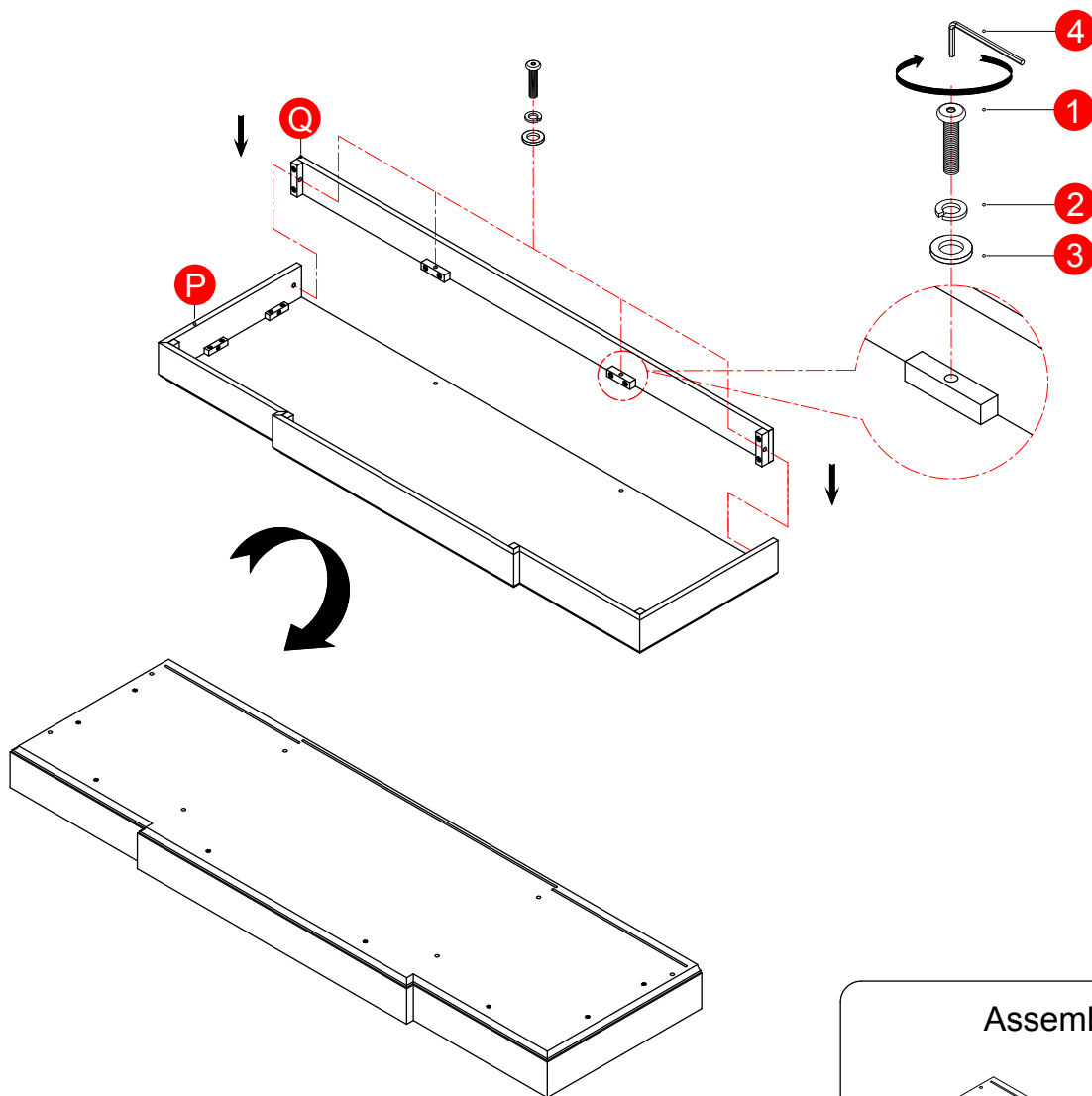
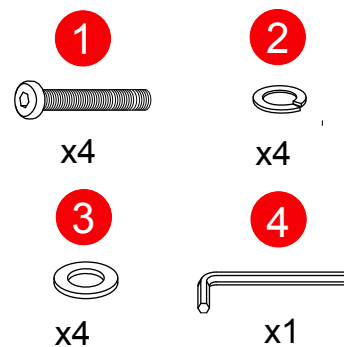
18

Power Strip x 1 pc

# STEP 1

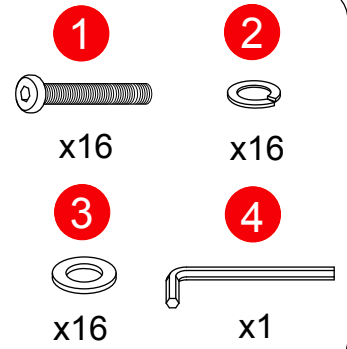
With assistance, place the Bottom Panel (P) upside down on a smooth surface. Attach the Back Crossbar (Q) to Bottom Panel (P) with Flat Washer (3), Spring Washer (2) and Allen Bolt (1) using Allen Key (4). Fully tighten all bolts. Return Bottom Panel (P) to upright position.

## Hardware needed

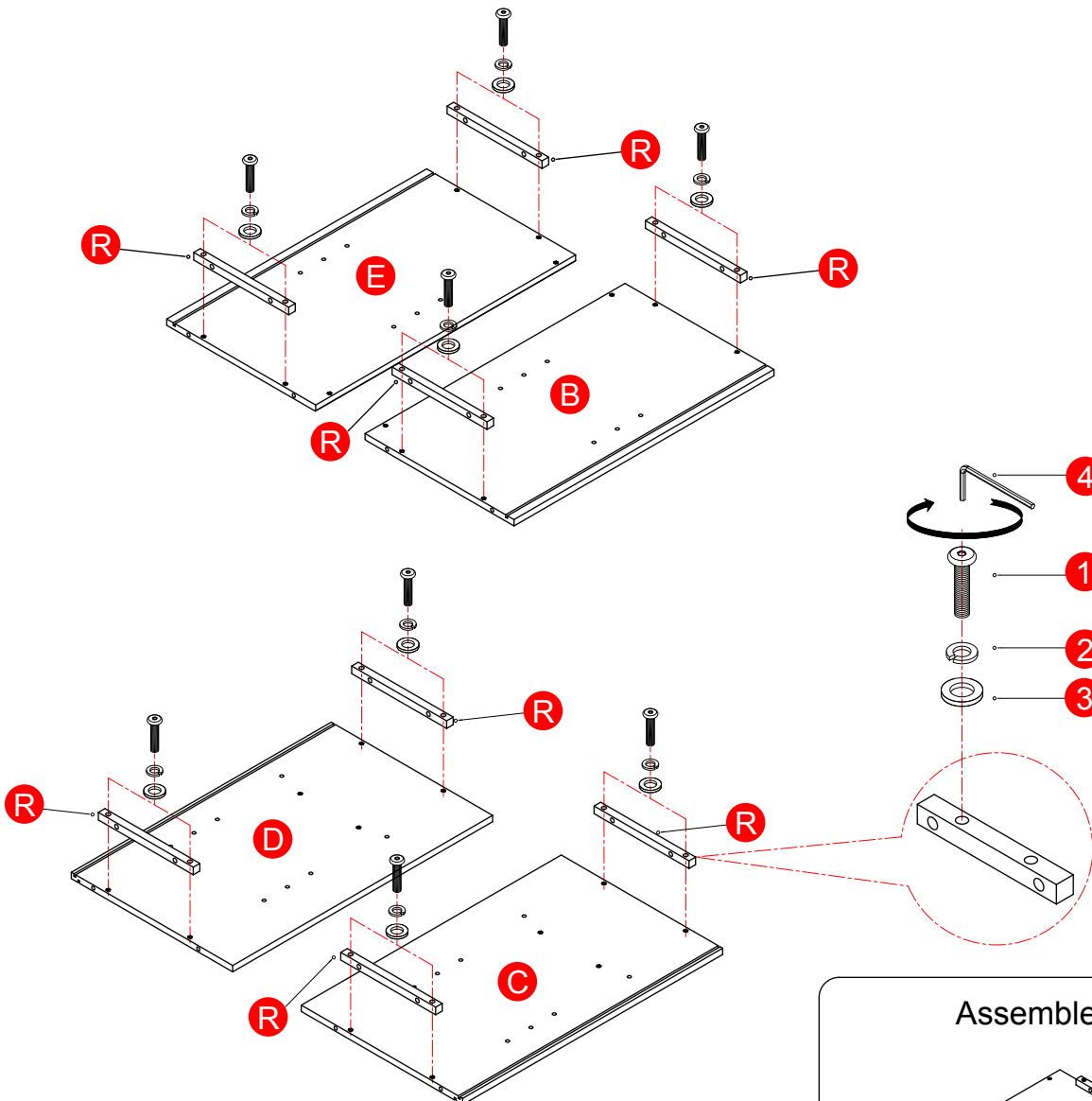


# STEP 2

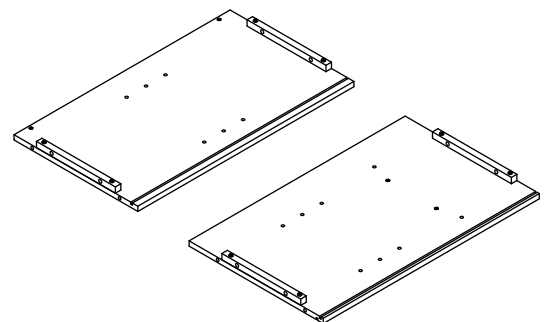
## Hardware needed



Place the Left Side Panel (B) upside down on a smooth surface. Align the holes in Connect Wood (R) with the holes in Left Side Panel (B) as shown. Secure Connect Wood (R) to Left Side Panel (B) with Flat Washer (3), Spring Washer (2) and Allen Bolt (1) using Allen Key (4). Note: The Connect Wood (R) should be flush with the edges of the panels. Repeat the process to attach Connect Wood (R) to Right Side Panel (E), Left Middle Panel (C) and Right Middle Panel (D).



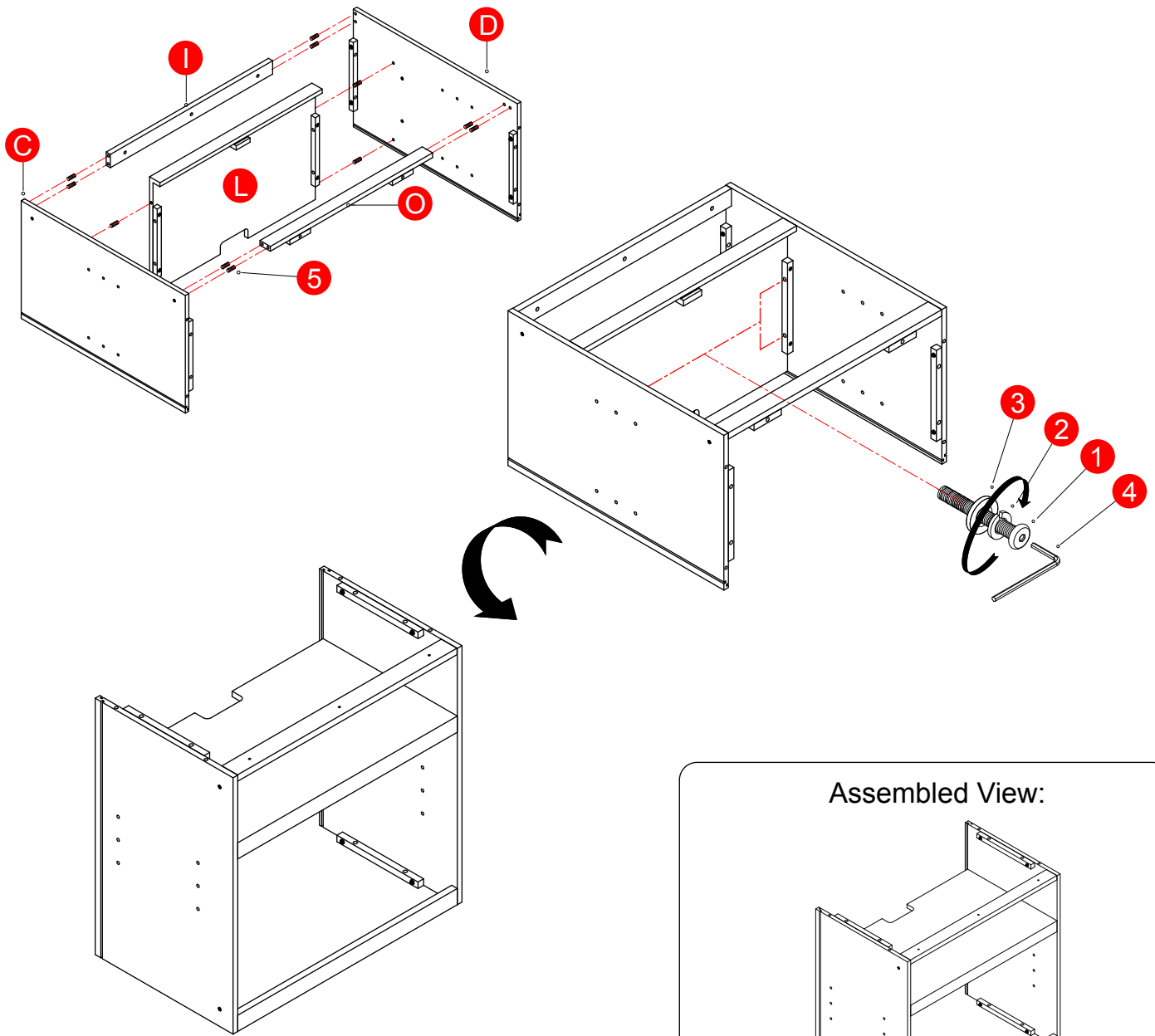
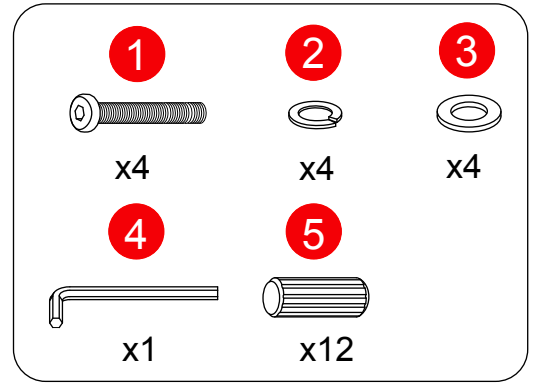
Assembled View:



# STEP 3

Insert Wood Dowel (5) into Left Middle Panel (C). Align the holes in Center Crossbar (I), Center Middle Panel (L) and Bottom Crossbar (O) and slide to place. Repeat process to attach the Center Crossbar (I), Center Middle Panel (L) and Bottom Crossbar (O) to Right Middle Panel (D). Secure with Flat Washer (3), Spring Washer (2), and Allen Bolt (1) using Allen Key (4). Fully tighten bolts. Return assembled parts to upright position.

## Hardware needed



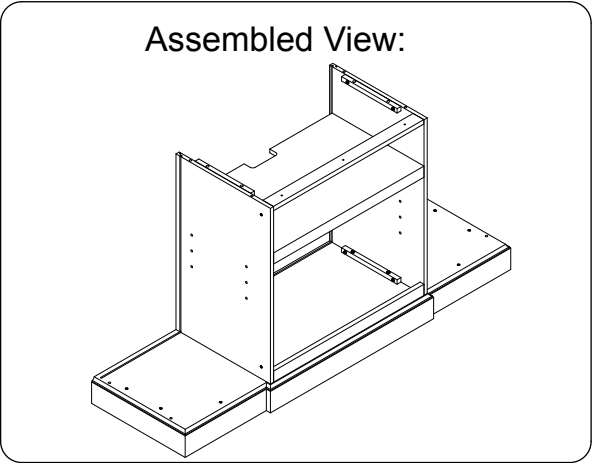
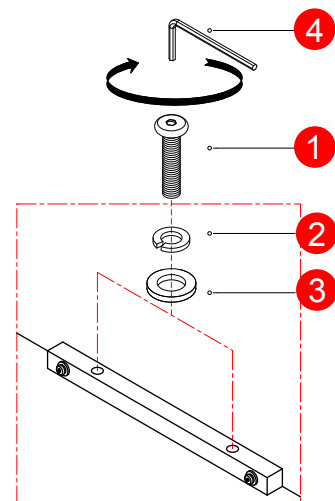
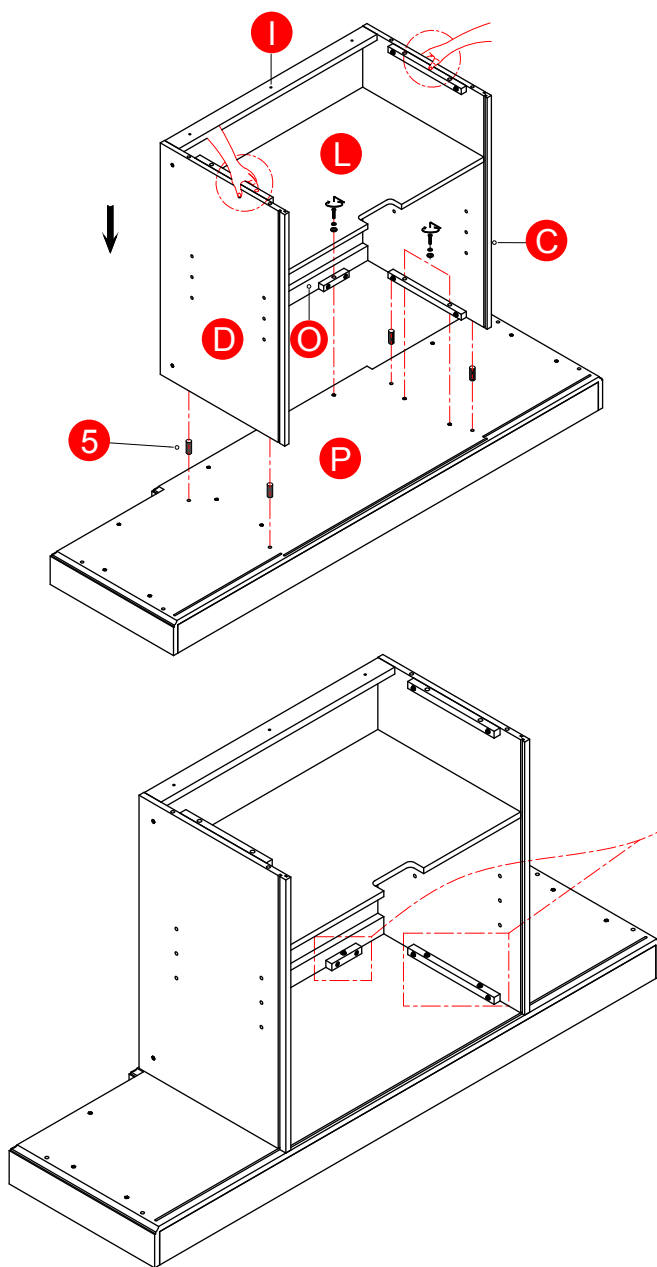
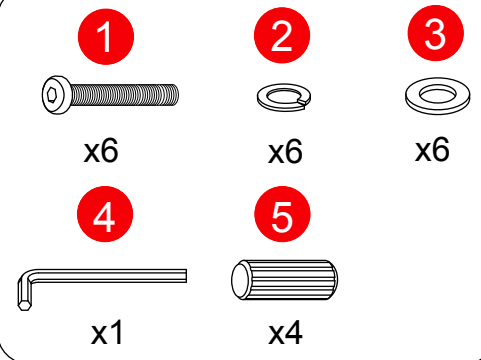
Assembled View:



# STEP 4

Insert Wood Dowel (5) into holes of Bottom Panel (P).  
With assistance, align the holes in Left Middle Panel (C) and Right Middle Panel (D) with inserted Wood Dowel (5) and lower to place. Secure the Bottom Crossbar (O), Left Middle Panel (C), Right Middle Panel (D) to Bottom Panel (P) with Flat Washer (3), Spring Washer (2) and Allen Bolt (1) using Allen Key (4). Fully tighten bolts.

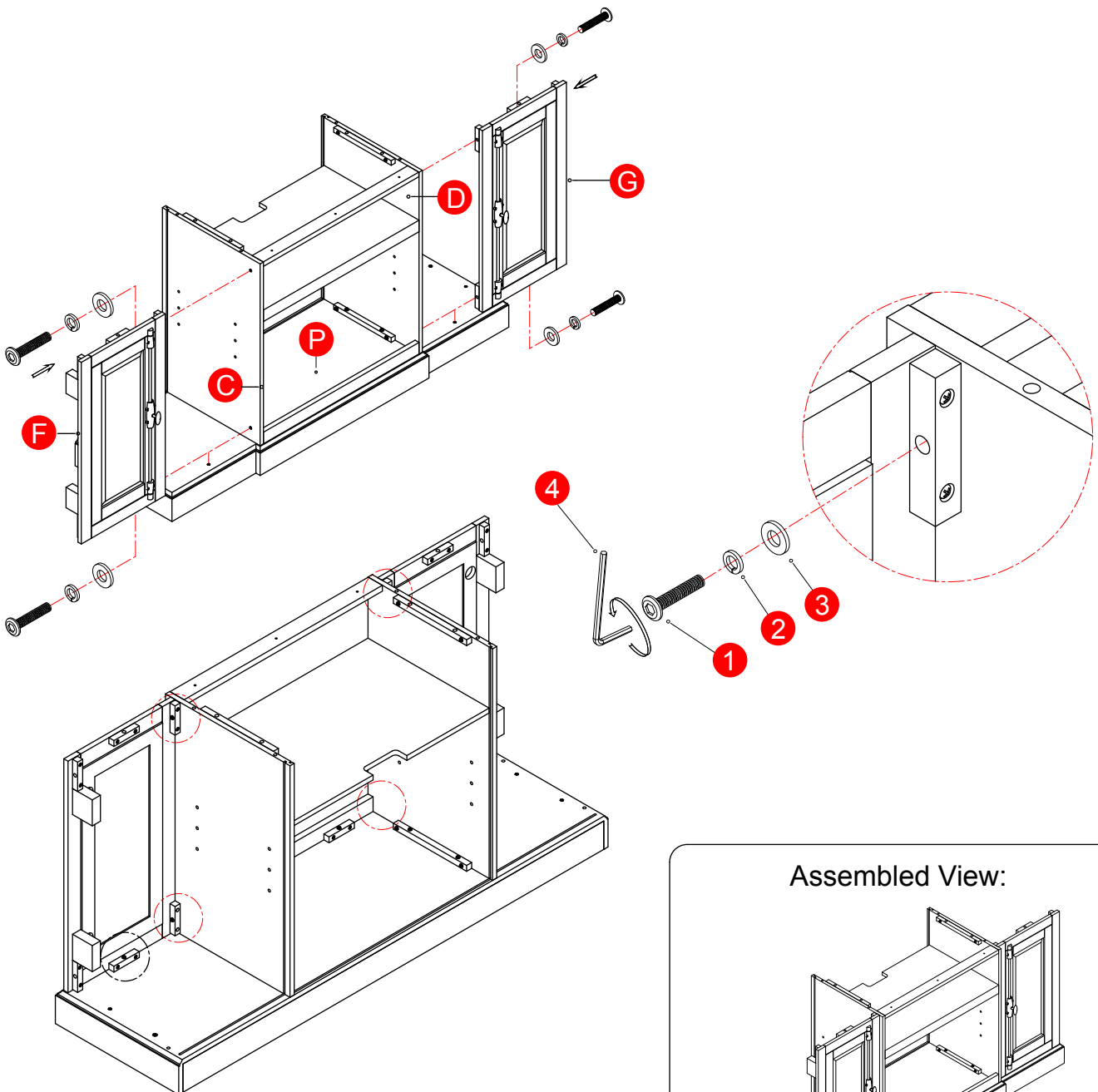
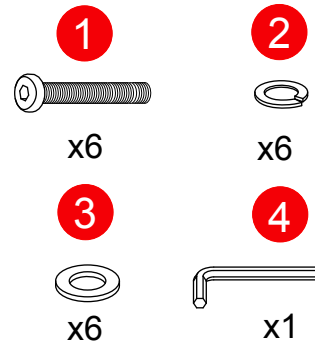
## Hardware needed



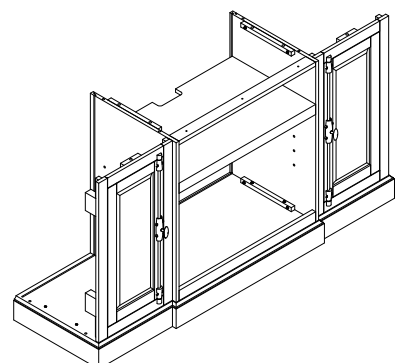
# STEP 5

With assistance, align the hole in connect wood assembled on Left Door (F) with the holes in Left Middle Panel (C), Bottom Panel (P) and slide into place. Attach Left Door (F) to Left Middle Panel (C) and Bottom Panel (P) with Flat Washer (3), Spring Washer (2) and Allen Bolt (1) using Allen Key (4). Fully tighten bolts. Repeat the process to attach Right Door (G) to Right Middle Panel (D) and Bottom Panel (P).

## Hardware needed



## Assembled View:



# STEP 6

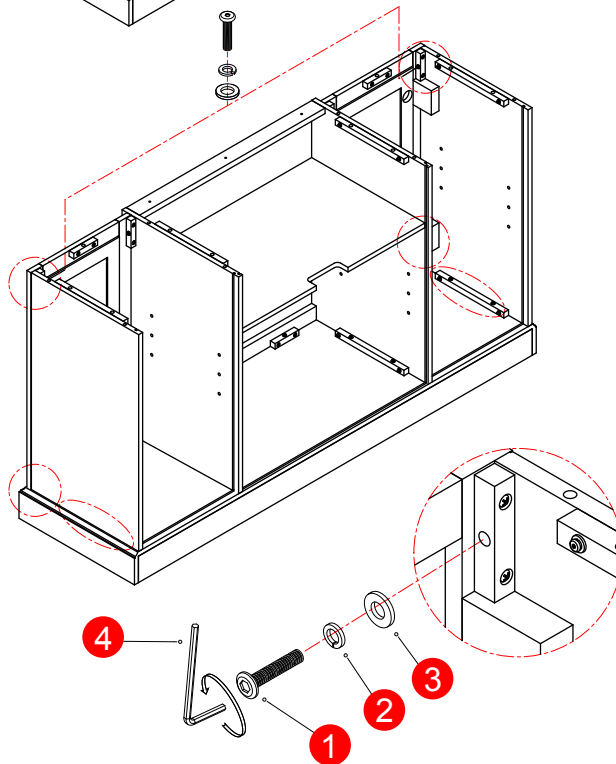
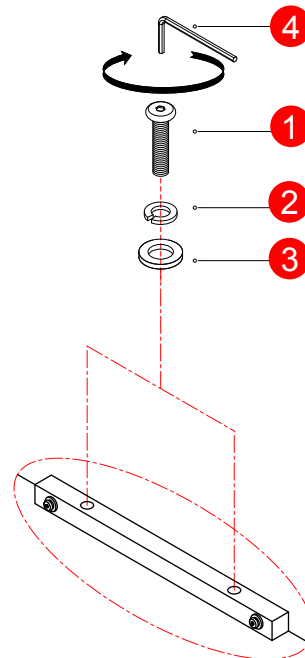
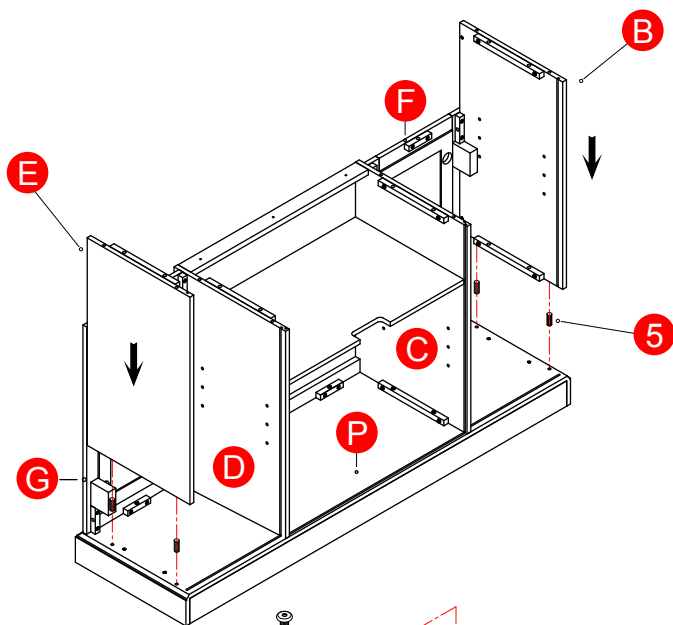
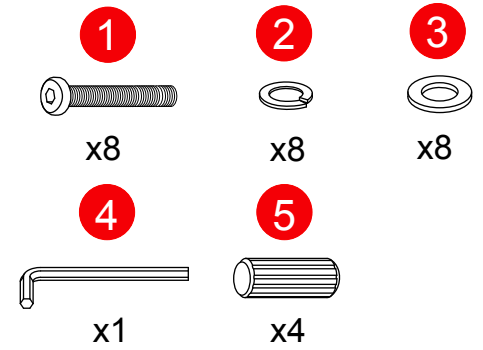
Insert Wood Dowel (5) into holes of Bottom Panel (P).  
With assistance, align the holes in Left Side Panel (B) with inserted wood dowels and lower to place.

Attach the Left Side Panel (B) to Bottom Panel (P) and Left Door (F) with Flat Washer (3), Spring Washer (2) and Allen Bolt (1) using Allen Key (4).

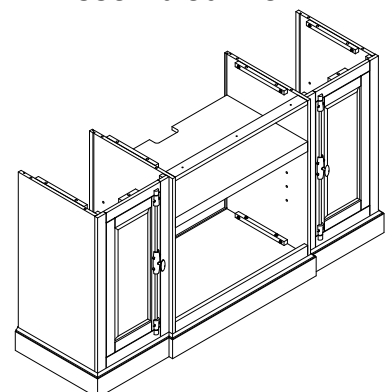
Fully tighten bolts.

Repeat the process to attach Right Side Panel (E) to Bottom Panel (P) and Right Door (G).

## Hardware needed



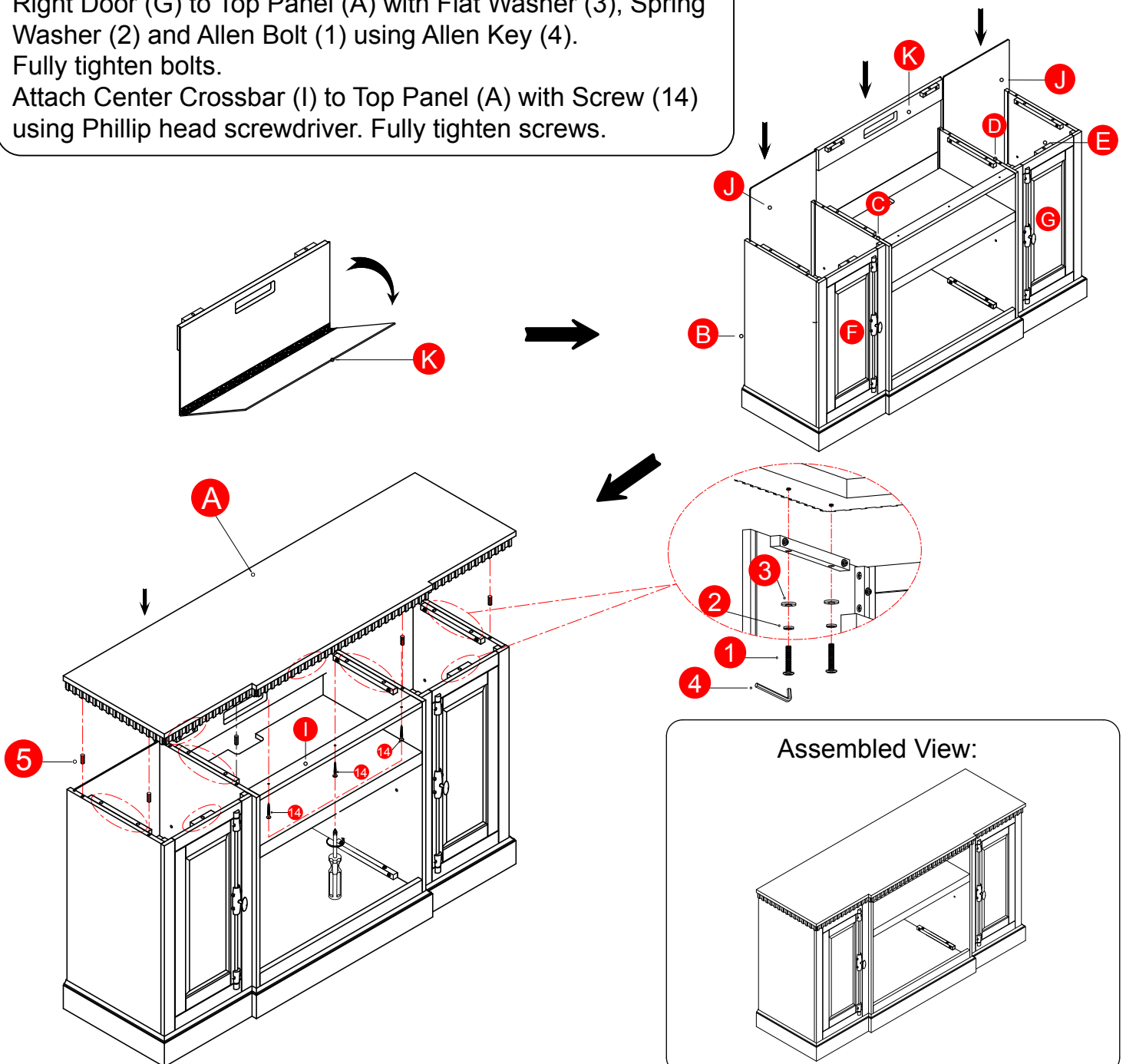
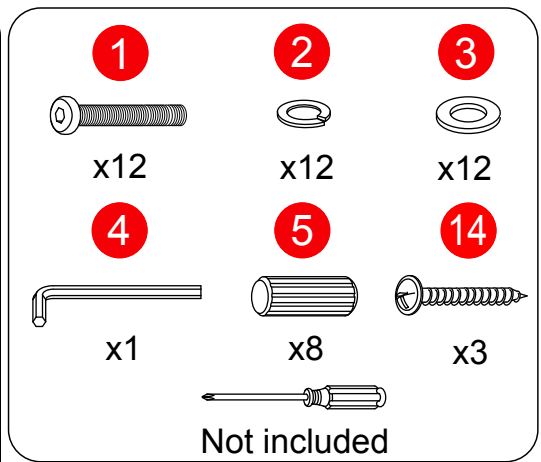
## Assembled View:



# STEP 7

Open Center Back Panel (K). Insert Center Back Panel (K) down along the groove of Left Middle Panel (C) and Right Middle Panel (D). Insert Side Back Panel (J) down along the groove of Left Side Panel (B) and Left Middle Panel (C). Repeat the process for the remain Side Back Panel (J) to attach to Right Side Panel (E) and Right Middle Panel (D). Insert Wood Dowel (5) into the holes of Left Side Panel (B), Left Middle Panel (C), Right Middle Panel (D) and Right Side Panel (E). With assistance, align the holes in Top Panel (A) with inserted wood dowels and lower to place. Attach Left Side Panel (B), Left Middle Panel (C), Right Middle Panel (D), Right Side Panel (E), Center Back Panel (K), Left Door (F), Right Door (G) to Top Panel (A) with Flat Washer (3), Spring Washer (2) and Allen Bolt (1) using Allen Key (4). Fully tighten bolts. Attach Center Crossbar (I) to Top Panel (A) with Screw (14) using Phillip head screwdriver. Fully tighten screws.

## Hardware needed



# STEP 8

## Hardware needed

Insert the Shelf Pin (12) into the pre-drilled holes as shown in the diagram. Place Adjustable Shelf (N) onto the Shelf Pins as shown. Repeat the process for the remaining Adjustable Shelf (N) and the Center Adjustable Shelf (M).


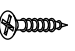



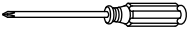
You can adjust the position of shelf as needed.

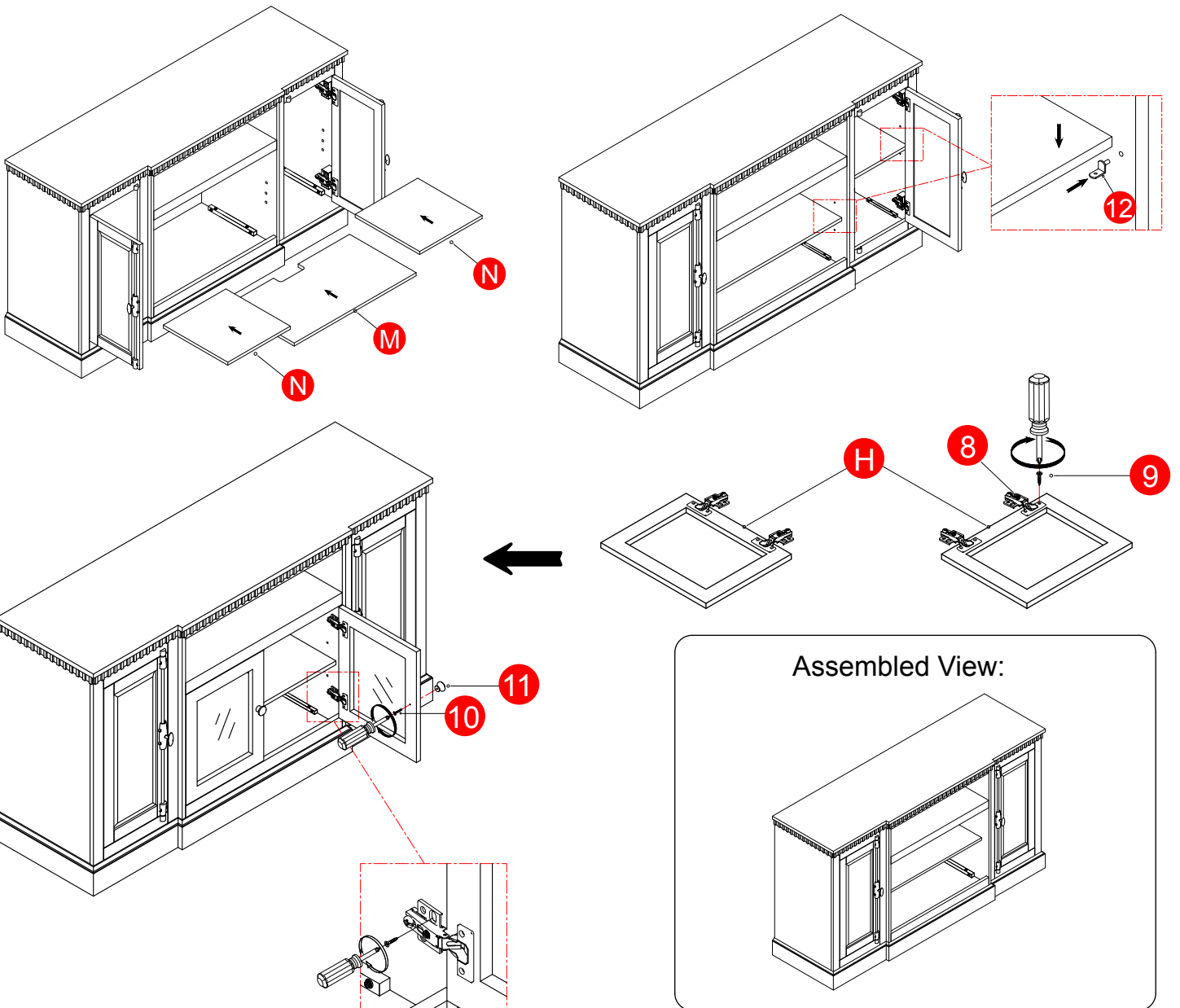
Attach Hinge (8) to Middle Door (H) with Hinge Screw (9) using Phillips head screwdriver. Fully tighten screws.

With assistance, center the Right Door (G) along the edge of Right Side Panel (E). Attach Hinge (8) to Right Side Panel (E) with Hinge Screw (9). Fully tighten screws. Repeat the process to attach the Left Door (F) to the Left Side Panel (B).

Attach Knob (11) to Right Door (G) with Knob Bolt (10). Fully tighten bolts.

Repeat the process to attach remaining handle to Left Door (F).

<b>8</b>  x4	<b>9</b>  x24
<b>10</b>  x2	<b>11</b>  x2
<b>12</b>  x16	 Not included



# STEP 9

Place the Plastic Block (6) into the corner of Side Back Panel (J) as shown. Insert Screw (7) into the pre-drilled holes and secure with Phillips Screwdriver.

Fully tighten screws.

Repeat the step for the remaining Plastic Block. Insure all Plastic blocks are used to secure both side back panels in place.

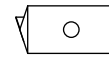
Insert the Power Strip (18) into Center Back Panel (K) as shown.

Secure with Flat Head Screw (13) using Phillip head screwdriver.

Fully tighten screws.

## Hardware needed

6



x8

7



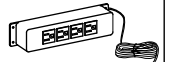
x8

13

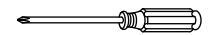


x4

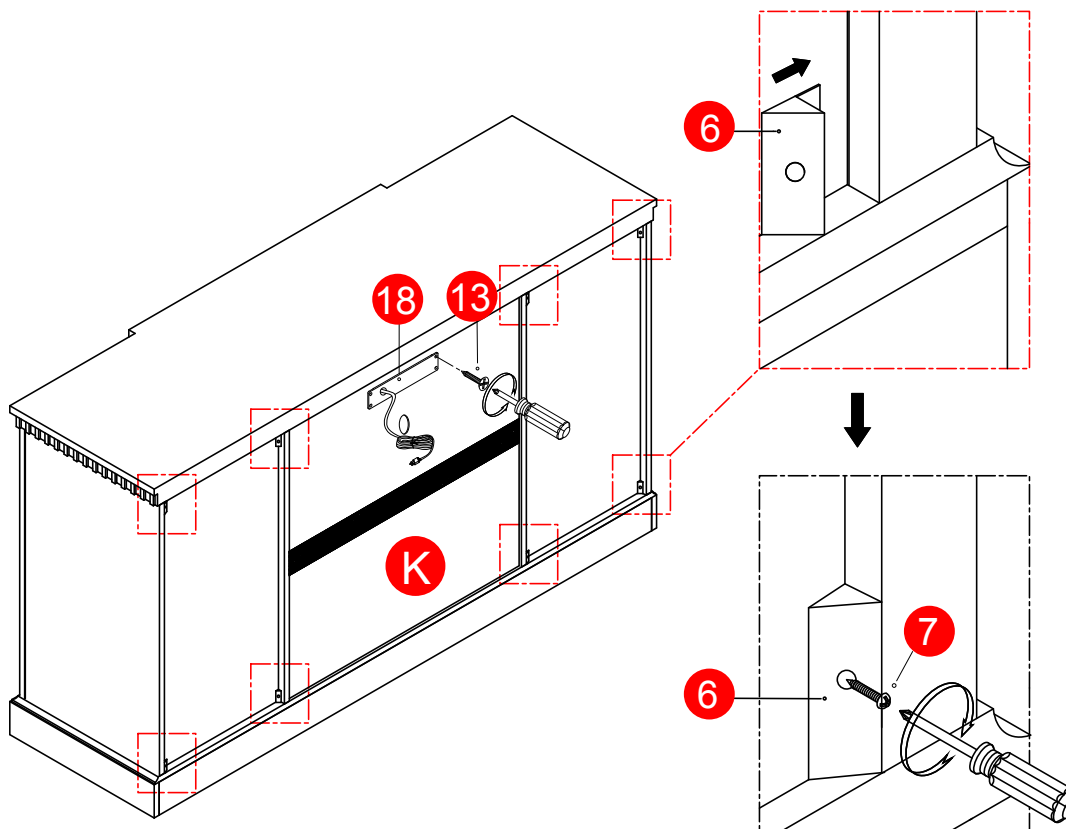
18



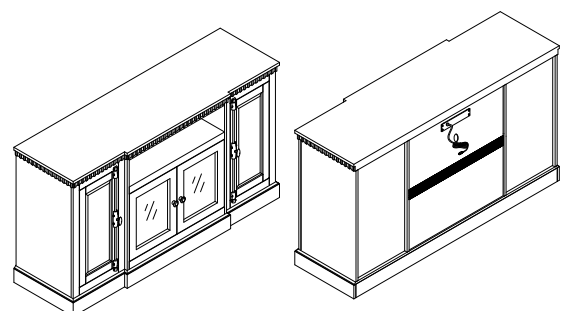
x1



Not included



## Assembled View:



# STEP 10

Attach the Anti-tipping Strips (15) to the back top of the mantel with Screw (17) and Flat Washer (3). With assistance, place the console in the desired location and mark the wall just below the spot where the Anti-tipping Strips are attached to the console. Remove the console.

Drill holes in the marked locations on the wall and insert the Wall Anchor (16). Place the console back into position leaving room to attach the Anti-tipping Strips (15) to the Wall Anchor (16) with Screw (17) and Flat Washer (3). Fully tighten screws.

Move the console tight against the wall.

NOTE: Please insure any media equipment is plugged in and working correctly before securing the Anti-tipping Strips to the Wall Anchors.

## Hardware needed

3



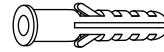
x4

15



x2

16

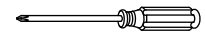


x2

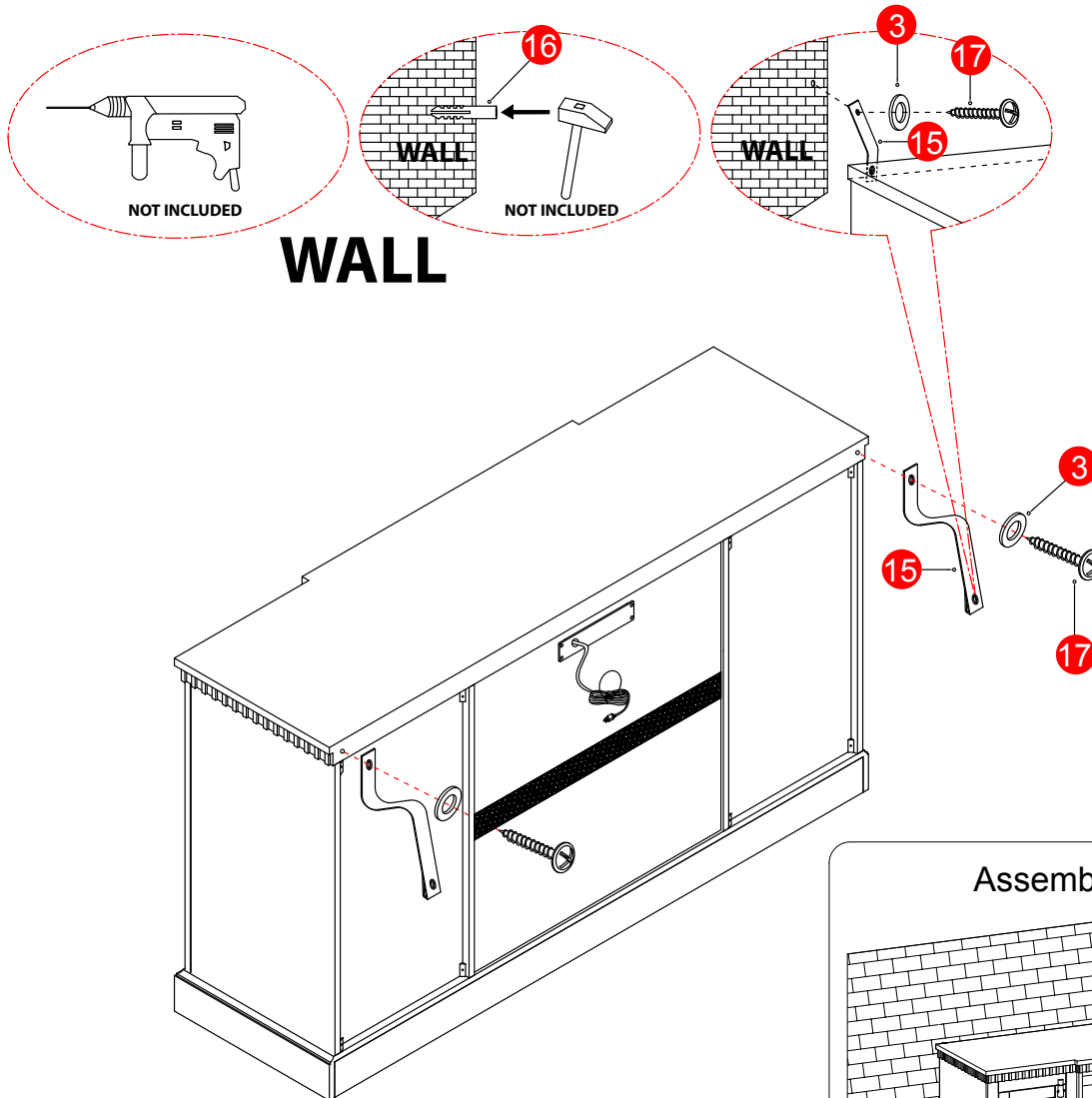
17



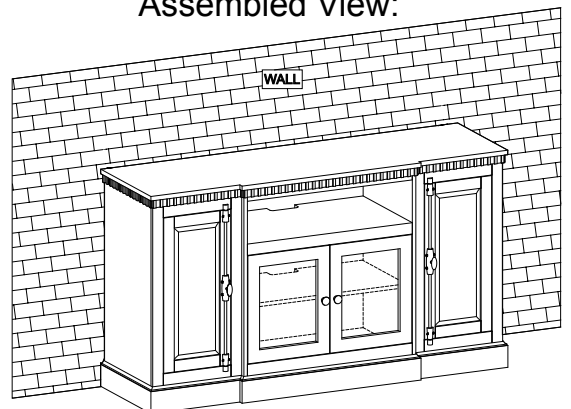
x4



Not included



## Assembled View:

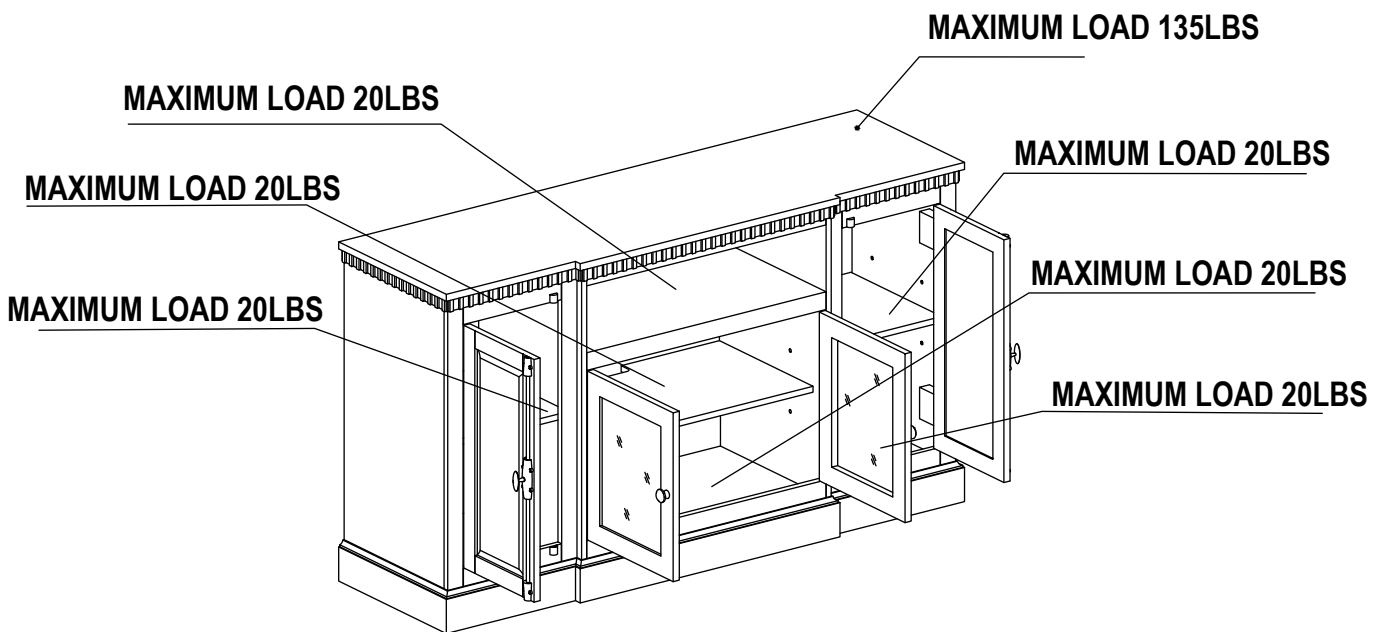


# **⚠ WARNING**

The maximum diagonal Plasma/LCD television screen size is 60inch (152.40cm). For use with televisions weighing 135 lbs. (61.23 kg) or less. Using larger or heavier televisions may cause instability or tip-over which lead to serious injury or even death.

**WARNING** - Death or serious injury may occur when children climb on audio and/or video equipment furniture. A remote control or toys placed on the furnishing may encourage a child to climb on the furnishing and as a result the furnishing may tip over on to the child.

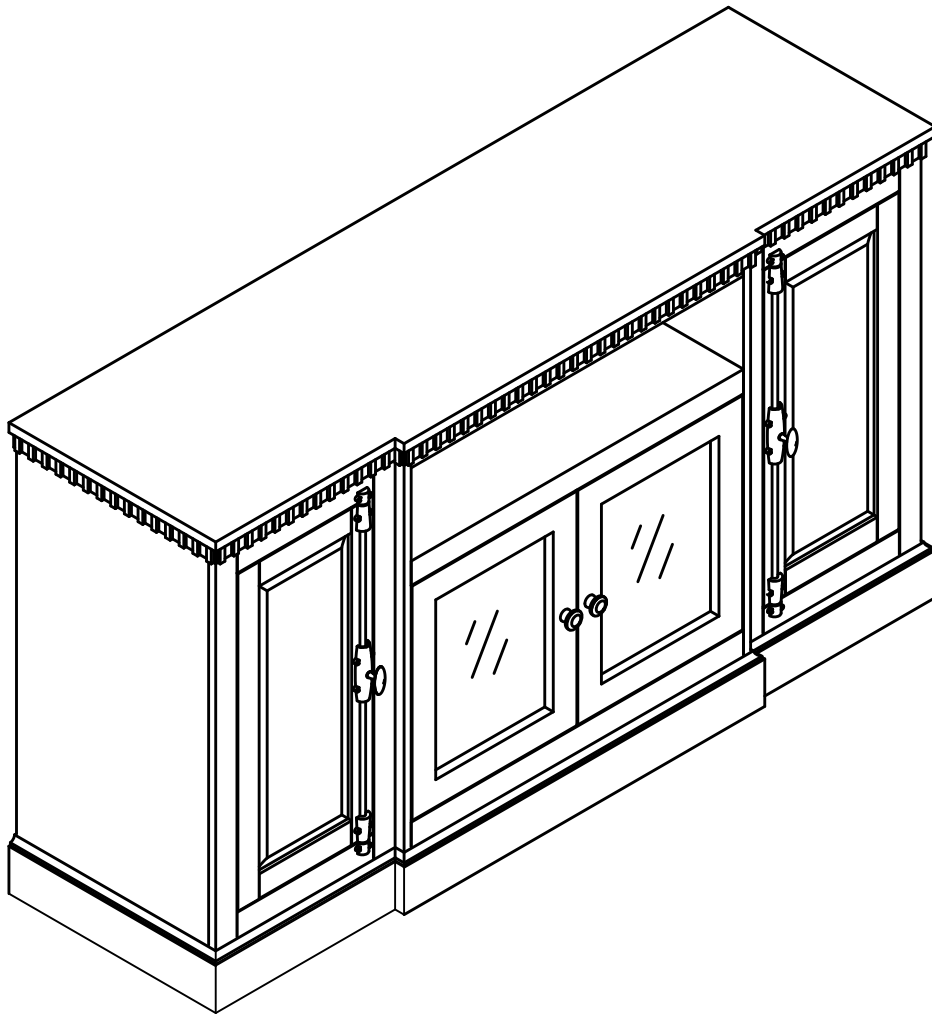
**WARNING** - Relocating audio and/or video equipment to furniture not specifically designed to support audio and/or video equipment may result in death or serious injury due to the furnishing collapsing or over turning onto a child.



**GRAND ART FURNITURE CO., LTD**

**ADDRESS: D17 STREET, MY PHUOC I INDUSTRIAL PARK,  
BEN CAT DISTRICT, BINH DUONG PROVINCE, VIETNAM**





**ASSEMBLY IS COMPLETED**

PRINTED IN VIETNAM