

USE AND CARE GUIDE

BENCH



Questions, problems, missing parts?

1-800-800-4950
Mon. through Fri. 8:00am - 8:00pm EST
E-mail cs@jack-post.com

WARRANTY



Table of Contents

Do not Return.....	3
Use and Care/Wood Care Guide.....	4
Instructions.....	5
Customer Service Contact Info.....	10

DO NOT RETURN THIS ITEM TO THE STORE

If you experience any difficulty with assembly, missing parts or use, please **DO NOT** return this item to the store.

Retail stores are unable to properly assist you.

Contact our **Customer Service Department** directly for assistance.

Call toll-free **1-800-800-4950**, Monday-Friday, between the hours of 8 a.m. and 8 p.m. (EST).

Our friendly Customer Service Agents will be happy to assist you.

OIL-BASED PAINTED WOOD CARE GUIDE

PLEASE READ THIS INFORMATION CAREFULLY - IT WILL HELP YOU TO MAINTAIN YOUR FURNITURE

This furniture has been made from seasoned wood and has already been factory primed and finished with an oil-based paint. With proper maintenance, it will give you years of enjoyable service. Wood is a natural material and its appearance will change when exposed to the elements; surface splits and checking may appear, particularly on the end grain and to a lesser extent on the surface within a few weeks if left exposed to the elements. The furniture is designed with this in mind to remain strong and durable. If left exposed to the weather, your furniture will fade in color. The exact color will depend on the environment; for example, less fading will occur if the furniture is placed in a shady location under a tree. To help preserve the color, cover the furniture with a garden furniture cover when not in use. Wood expands and contracts with changes in relative humidity. To prevent over drying and excessive cracking, do not store in a heated place.

CARE AND MAINTENANCE

1. We recommend cleaning the surface of dirt, bird droppings, tree sap, grease. etc. Scrub with a cloth or soft brush using a mild household cleaner, dish or laundry detergent.
2. Rinse thoroughly.
3. Allow to dry completely and retighten all hardware.

REFINISHING

Based on exposure to the elements the finish may need to be restored. Proceed as follows:

1. Cover the floor area with a suitable liquid resistant ground sheet to contain dust, dirt or spills.
2. Use suitable protective clothing, i.e., rubber gloves, apron, safety glasses, dust mask, etc.
3. Check and retighten all furniture hardware
4. Remove any finish that has become loose or cracked by using a scraper or wire brush. **DO NOT USE STEEL WOOL** as the fine particles may result in dark rusty blotching.
5. In a well-ventilated area or outdoors, lightly sand using 100-200 grit sand paper.
6. Remove any dust by wiping with a damp cloth.
7. Allow item to dry completely.
8. Use an oil-based primer on any bare wood spots.
9. Brush or spray on new finish using the manufacturer's instructions - using an oil-based paint available at any paint retailer.

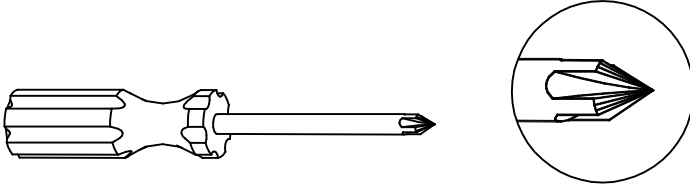
Customer Service Mon - Fri 8:00 am to 8:00 pm Eastern Time

Jack-Post Corp.
800 East Third Street
Buchanan, MI USA 49107

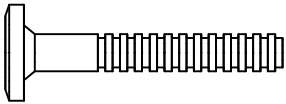
1-800-800-4950
cs@jack-post.com

Pre-Assembly

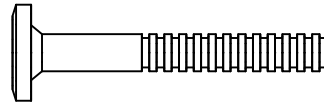
TOOLS REQUIRED



HARDWARE INCLUDED



1



2



3



4



5



6

Part	Description	Quantity
1	BOLT M6 x 35 mm	18
2	BOLT M6 x 40 mm	2
3	SCREW M4 x 44 mm	4
4	SCREW M4 x 32 mm	2
5	SCREW M4 x 19 mm	2
6	ALLEN KEY	1

PACKAGE CONTENTS

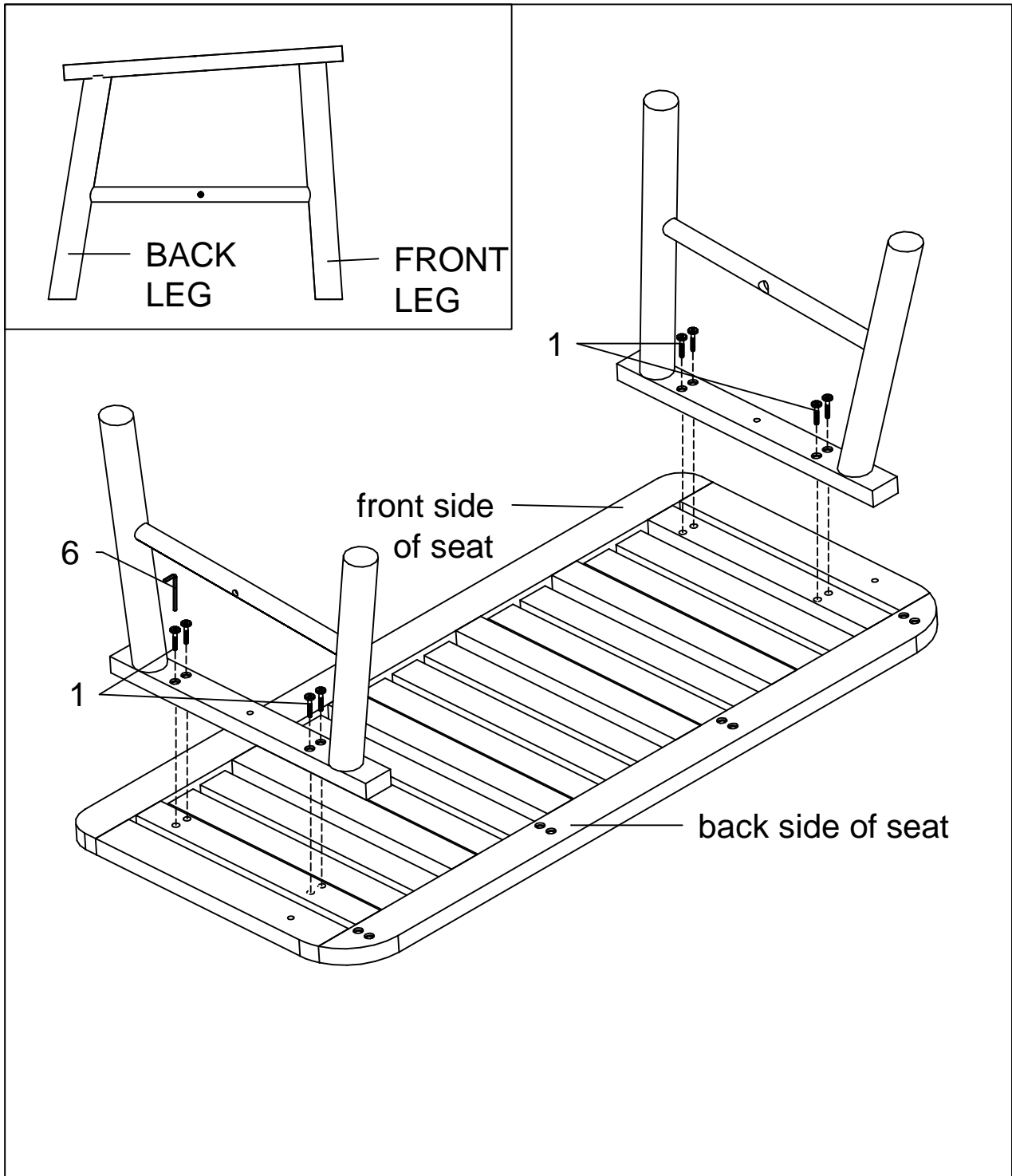


Decription	Quantity
Right side frame	1
Left side frame	1
Back rest	1
Back rest support	2
Seat	1
Seat support	1
Leg support	1

Assembly

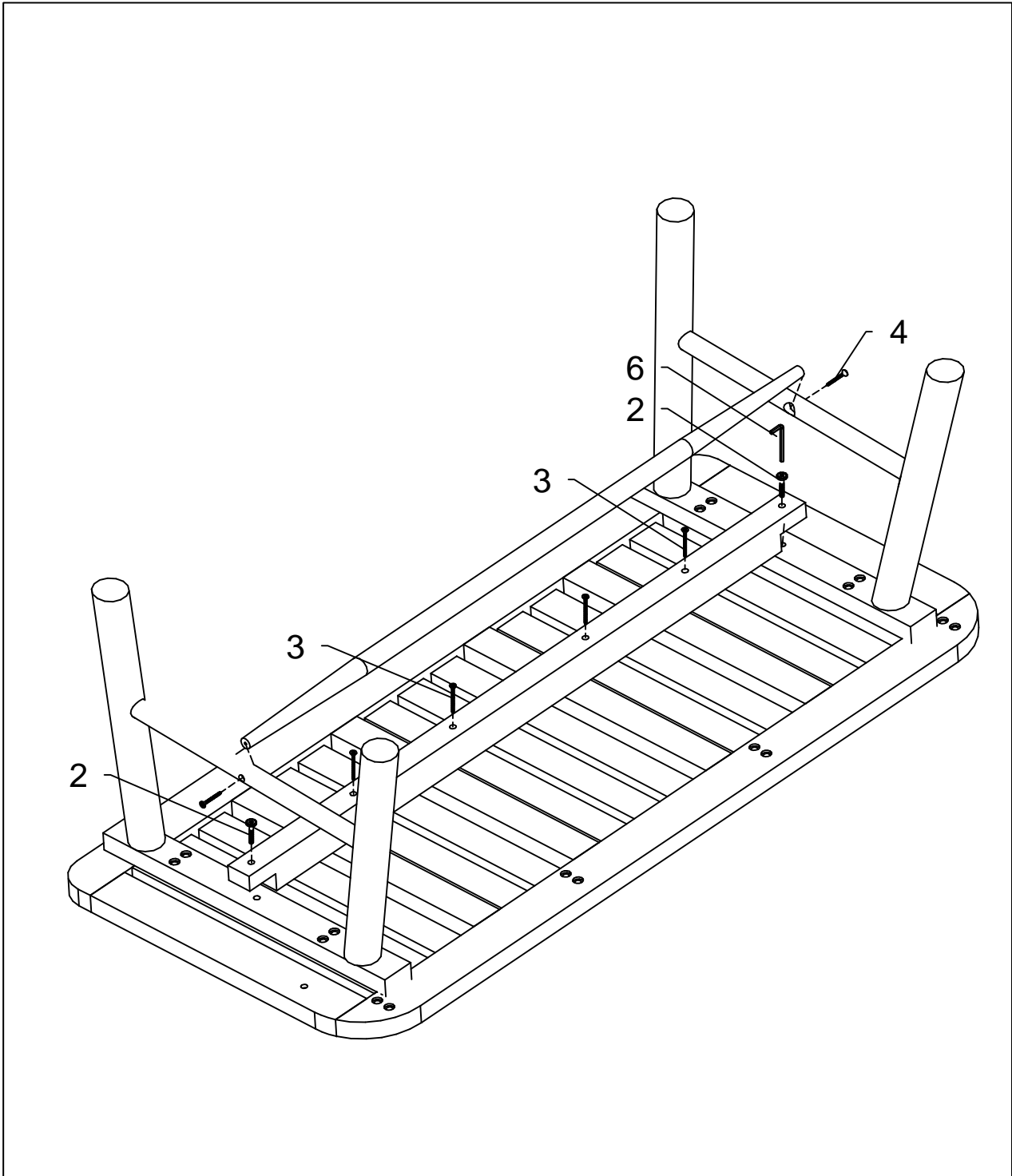
1 Attaching the left leg

- Attach the right and left side frame to the seat using bolts (1). Do not fully tighten the bolt until step 2.



2 Attaching the support

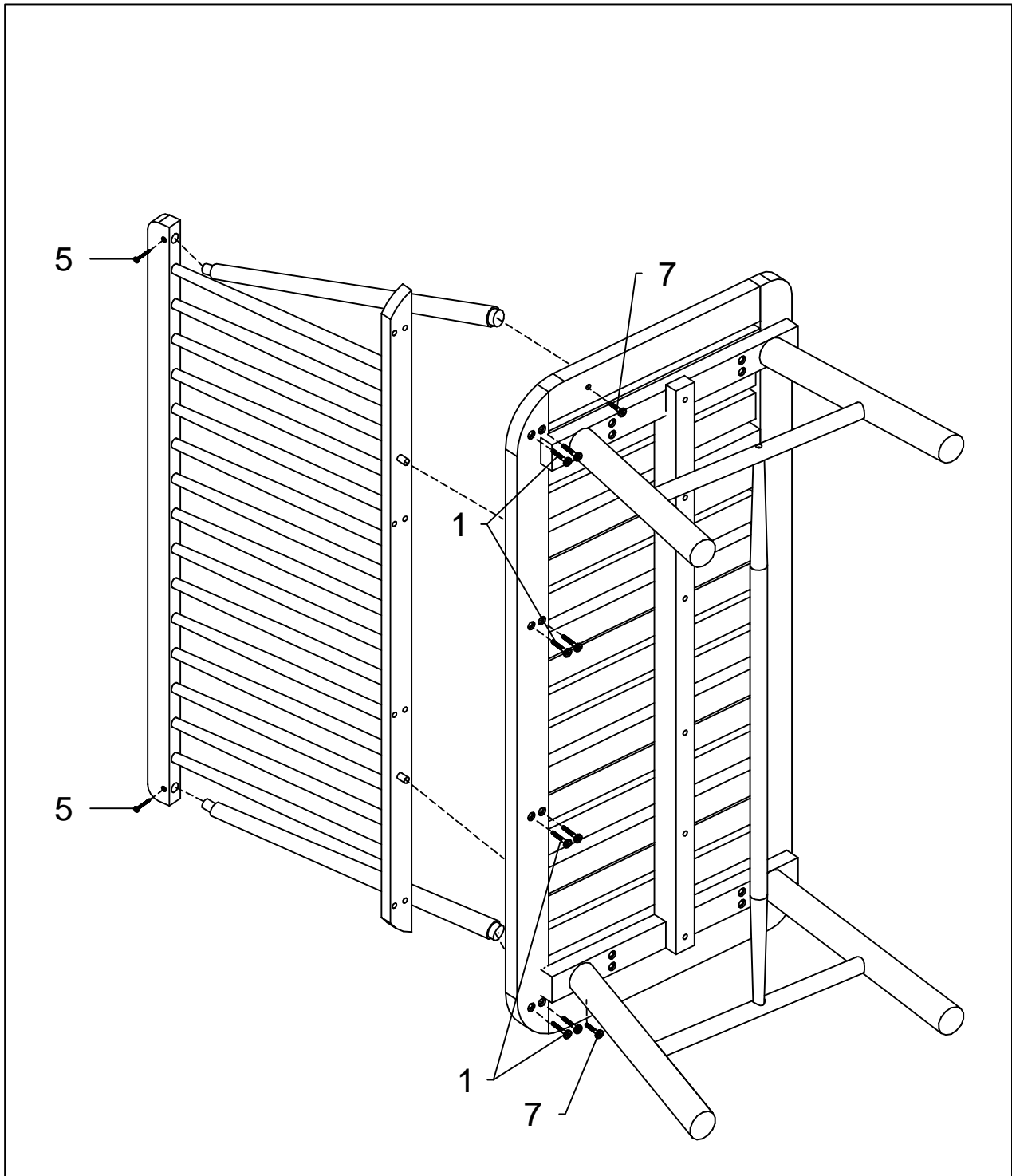
- Attach the seat support and leg support to the seat and side frames. To affix seat support and seat use bolts (2) and screws (3). To affix leg support and side frames use screws (4). Tighten all bolts with Allen key (6).



Assembly (continued)

3 Attaching the back rest

- Turn right/left the assembly step 2 to attach the back rest and back rest support. To affix seat and back rest support, use bolts (7). To affix seat and back rest using bolts (1), tighten with Allen key (6).
- To affix back rest and back rest support, use screws (5).



WARNING: Chair has been tested for use at up to 400 lbs.
Advertencia: La silla se puso a prueba para soportar has 400 libras.
Attention: La chaise a été testée pour supporter jusqu'à 400 lb.



Customer Service

Questions, problems, missing parts?
Please call Customer Service, 1-800-800-4950

WARRANTY



For more information about warranty, please visit [WWW.JACK-POST.COM / Warranty](http://WWW.JACK-POST.COM/Warranty).



800 East Third Street
Buchanan, Michigan 49107-1803
Customer Service 1-800-800-4950
Mon. through Fri. 8:00am - 8:00pm EST
E-mail cs@jack-post.com
English, Espanol, François.